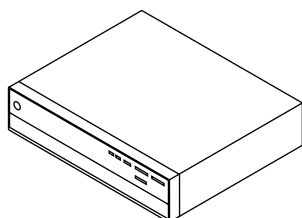


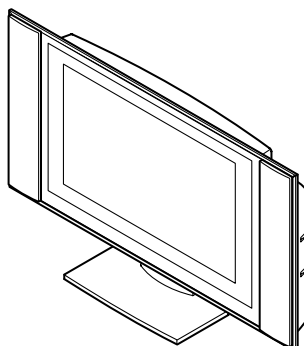
KDL32XBR950/KDL42XBR950

SERVICE MANUAL

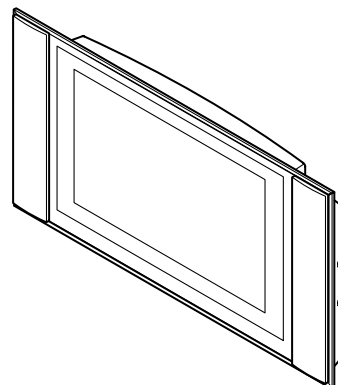
US Model
Canadian Model



MBD-XBR950L



LDM-3210



LDM-4210

SPECIFICATIONS

Panel System	LCD (Liquid Crystal Display) panel	
Display resolution	KDL32XBR950	1280 pixels (horizontal) × 768 pixels (vertical)
	KDL42XBR950	1366 pixels (horizontal) × 768 pixels (vertical)
Antenna	75 ohm external terminal for VHF/UHF	
Television System	NTSC, American TV Standard	
Channel Coverage	VHF	2-13
	UHF	14-69
	DTV	1-999
	CATV	1-125
Power Requirements	120V, 60 Hz	
Inputs/Outputs		
DVI-HDTV	1 terminal, 3.3V T.M.D.S., 50 ohms The DVI-HDTV input terminal is compliant with the EIA-861 standard and is not intended for use with personal computers.	
Video (IN)	3 total (1 on front panel)	1 Vp-p, 75 ohms unbalanced, sync negative
S Video (IN)	3 total (1 on front panel)	Y: 1 Vp-p, 75 ohms unbalanced, sync negative C: 0.286 Vp-p (Burst signal), 75 ohms
Audio (IN)	6 total (1 on front panel)	500 mVrms (100% modulation) Impedance: 47 kilohm
Component Video Input	2 (Y, PB, PR)	Y: 1.0 Vp-p, 75 ohms unbalanced, sync negative; PB: 0.7 Vp-p, 75 ohms PR: 0.7 Vp-p, 75 ohms
CONTROL S (IN)	1	Mini jack
CONTROL S (OUT)	1	Mini jack
Digital Audio Optical Output (PCM/Dolby Digital)	1	Optical rectangular (1)

LCD COLOR TV
SONY®

i.LINK	3 total (1 on front panel)	4-pin S400 i.LINK terminal
Variable/Fixed Audio (OUT)	1	More than 408 mVrms at the maximum volume setting (Variable) More than 408 mVrms (Fixed) Impedance (output): 2 kilohms
Sub woofer (OUT)	1	Phono jack
RF Inputs	2	
Screen Size (measured diagonally)	KDL32XBR950	32 inches
	KDL42XBR950	42 inches
Speaker Output	KDL32XBR950	10 W × 2
	KDL42XBR950	12.5 W × 2
Dimensions (W × H × D)	Display unit	
	LDM-3210	1052 × 635 × 229 mm (42 1/4 × 25 × 9 1/8 in) (with the supplied stand) 1052 × 569 × 97 mm (42 1/4 × 22 1/2 × 3 7/8 in) (without the stand)
	LDM-4210	1349 × 694 × 102 mm (53 1/8 × 27 3/8 × 4 1/8 in)
	Media receiver unit	
	MBD-XBR950L	430 × 79 × 342.8 mm (17 × 3 1/8 × 13 1/2 in)
Mass	Display unit	
	LDM-3210	28.9 kg (63 lbs 12 oz) (with the supplied stand) 22.1 kg (48 lbs 12 oz) (without the stand)
	LDM-4210	30 kg (66 lbs 3 oz)
	Media receiver unit	
	MBD-XBR950L	6.5 kg (14 lbs 5 oz)
Power Consumption	In Use	Display unit
		LDM-3210: 150 W LDM-4210: 240 W
	In Standby	Media receiver unit
		MBD-XBR950L: 53 W
		Under 1.5 W
	i.LINK standby	Under 22 W
Supplied Accessories	Media receiver unit	
	Remote Control (1) AA (R6) Batteries (2) AC power cord (2) Display interface cable (1) Antenna cable (1) Operating Instructions (1) Quick Start Guide (1) Warranty Card (1)	RM-Y1000
	Display unit	
	Speaker jack covers (2) (KDL42XBR950 only)	

Design and specifications are subject to change without notice.

WARNING AND CAUTIONS


CAUTION

These servicing instructions are for use by qualified service personnel only. To reduce the risk of electric shock, do not perform any servicing other than that contained in the operating instructions unless you are qualified to do so.

WARNING!!

An isolation transformer should be used during any service to avoid possible shock hazard, because of live chassis. The chassis of this receiver is directly connected to the ac power line.

SAFETY-RELATED COMPONENT WARNING!!


Components identified by shading and  mark on the schematic diagrams, exploded views, and in the parts list are critical for safe operation. Replace these components with Sony parts whose part numbers appear as shown in this manual or in supplements published by Sony. Circuit adjustments that are critical for safe operation are identified in this manual. Follow these procedures whenever critical components are replaced or improper operation is suspected.

ATTENTION!!

Ces instructions de service sont à l'usage du personnel de service qualifié seulement. Pour prévenir le risque de choc électrique, ne pas faire l'entretien autre que celui contenu dans le Mode d'emploi à moins que vous soyez qualifié faire ainsi.

Afin d'éviter tout risque d'électrocution provenant d'un châssis sous tension, un transformateur d'isolement doit être utilisé lors de tout dépannage. Le châssis de ce récepteur est directement raccordé à l'alimentation du secteur.

ATTENTION AUX COMPOSANTS RELATIFS A LA SECURITE!!

Les composants identifiés par une trame et par une marque  sur les schémas de principe, les vues explosées et les listes de pièces sont d'une importance critique pour la sécurité du fonctionnement. Ne les remplacer que par des composants Sony dont le numéro de pièce est indiqué dans le présent manuel ou dans des suppléments publiés par Sony. Les réglages de circuit dont l'importance est critique pour la sécurité du fonctionnement sont identifiés dans le présent manuel. Suivre ces procédures lors de chaque remplacement de composants critiques, ou lorsqu'un mauvais fonctionnement suspecte.

SAFETY CHECK-OUT

After correcting the original service problem, perform the following safety checks before releasing the set to the customer:

1. Check the area of your repair for unsoldered or poorly-soldered connections. Check the entire board surface for solder splashes and bridges.
2. Check the interboard wiring to ensure that no wires are “pinched” or contact high-wattage resistors.
3. Check that all control knobs, shields, covers, ground straps, and mounting hardware have been replaced. Be absolutely certain that you have replaced all the insulators.
4. Look for unauthorized replacement parts, particularly transistors, that were installed during a previous repair. Point them out to the customer and recommend their replacement.
5. Look for parts which, though functioning, show obvious signs of deterioration. Point them out to the customer and recommend their replacement.
6. Check the line cords for cracks and abrasion. Recommend the replacement of any such line cord to the customer.
7. Check the antenna terminals, metal trim, “metallized” knobs, screws, and all other exposed metal parts for AC Leakage. Check leakage as described right.

LEAKAGE TEST

The AC leakage from any exposed metal part to earth ground and from all exposed metal parts to any exposed metal part having a return to chassis, must not exceed 0.5 mA (500 microamperes).

Leakage current can be measured by any one of three methods.

1. A commercial leakage tester, such as the Simpson 229 or RCA WT-540A. Follow the manufacturers’ instructions to use these instruments.
2. A battery-operated AC milliammeter. The Data Precision 245 digital multimeter is suitable for this job.
3. Measuring the voltage drop across a resistor by means of a VOM or battery-operated AC voltmeter. The “limit” indication is 0.75 V, so analog meters must have an accurate low-voltage scale. The Simpson 250 and Sanwa SH-63Trd are examples of a passive VOMs that are suitable. Nearly all battery operated digital multimeters that have a 2 V AC range are suitable. (See Fig. A)

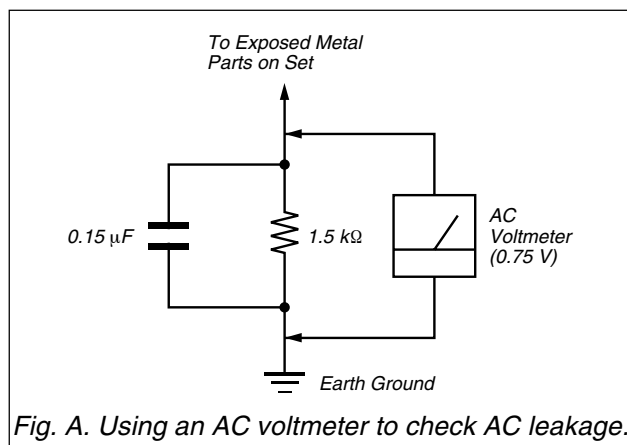


Fig. A. Using an AC voltmeter to check AC leakage.

WARNING!!

SAFETY-RELATED COMPONENT WARNING!!
COMPONENTS IDENTIFIED BY SHADING AND MARK \triangle ON THE SCHEMATIC DIAGRAMS, EXPLODED VIEWS AND IN THE PARTS LIST ARE CRITICAL FOR SAFE OPERATION. REPLACE THESE COMPONENTS WITH SONY PARTS WHOSE PART NUMBERS APPEAR AS SHOWN IN THIS MANUAL OR IN SUPPLEMENTS PUBLISHED BY SONY. CIRCUIT ADJUSTMENTS THAT ARE CRITICAL FOR SAFE OPERATION ARE IDENTIFIED IN THIS MANUAL. FOLLOW THESE PROCEDURES WHENEVER CRITICAL COMPONENTS ARE REPLACED OR IMPROPER OPERATION IS SUSPECTED.

AVERTISSEMENT!!

ATTENTION AUX COMPOSANTS RELATIFS À LA SÉCURITÉ!!
LES COMPOSANTS IDENTIFIÉS PAR UNE TRAME ET UNE MARQUE ! SONT CRITIQUES POUR LA SÉCURITÉ. NE LES REMPLACER QUE PAR UNE PIÈCE PORTANT LE NUMÉRO SPECIFIÉ. LES RÉGLAGES DE CIRCUIT DONT L'IMPORTANCE EST CRITIQUE POUR LA SÉCURITÉ DU FONCTIONNEMENT SONT IDENTIFIÉS DANS LE PRÉSENT MANUEL. SUIVRE CES PROCÉDURES LORS DE CHAQUE REMPLACEMENT DE COMPOSANTS CRITIQUES, OU LORSQU'UN MAUVAIS FONCTIONNEMENT EST SUSPECTÉ.

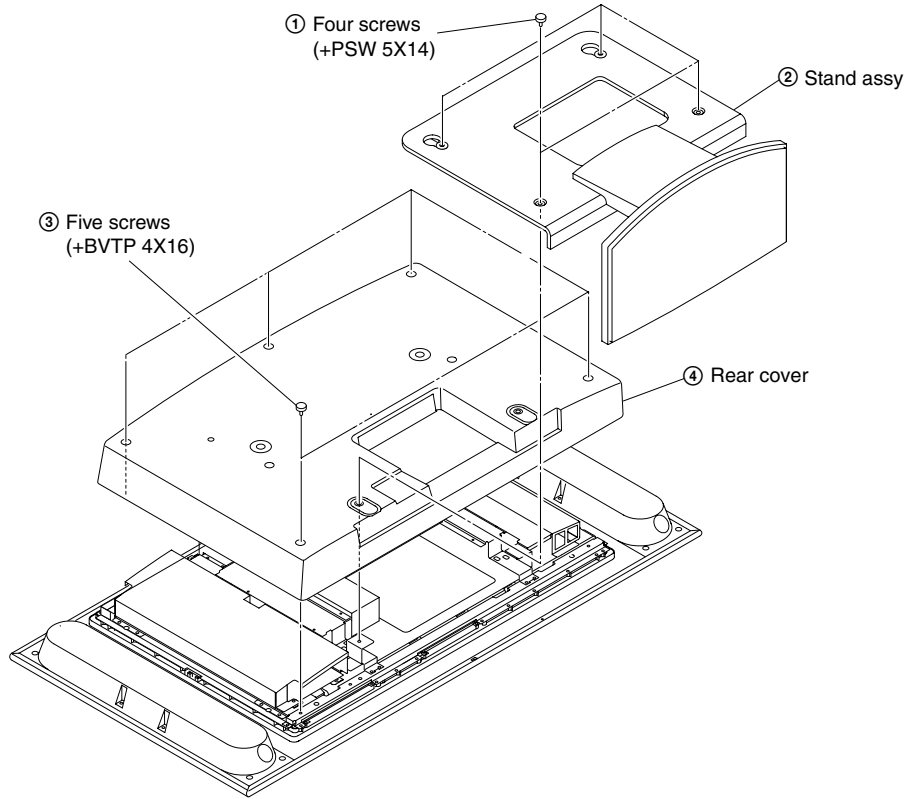
TABLE OF CONTENTS

1. DISASSEMBLY	1-1		
1-1. DISPLAY UNIT-1 (LDM-3210)	1-1		
1-1-1. STAND ASSY AND REAR COVER REMOVAL	1-1		(3) Schematic Diagram of G Board
1-1-2. DES AND K BOARDS REMOVAL	1-1		(4) Schematic Diagram of H1 Board
1-1-3. G1 BOARD REMOVAL	1-2		(5) Schematic Diagram of H2 Board
1-1-4. R1 AND R2 BOARDS REMOVAL	1-2		(6) Schematic Diagram of H3 and H4 Boards
1-1-5. LCD PANEL REMOVAL	1-3		(7) Schematic Diagram of IF Board
1-2. DISPLAY UNIT -2 (LDM-4210)	1-4		(8) Schematic Diagrams of M Board
1-2-1. REAR COVER REMOVAL	1-4		(9) Schematic Diagram of QT Board
1-2-2. K1 AND K2 BOARDS REMOVAL	1-4		(10) Schematic Diagram of QH Board
1-2-3. DES BOARD REMOVAL	1-5		(11) Schematic Diagram of UD Board
1-2-4. G2 BOARD REMOVAL	1-5		3-5. SEMICONDUCTORS
1-2-5. R3 AND R4 BOARDS REMOVAL	1-6		4. EXPLODED VIEWS
1-2-6. DISPLAY PANEL REMOVAL	1-6		4-1. DISPLAY UNIT (LDM-3210)
1-3. MEDIA RECEIVER UNIT (MBD-XBR950L)	1-7		4-1-1. DISPLAY UNIT-1
1-3-1. TOP COVERS REMOVAL	1-7		4-1-2. DISPLAY UNIT-2
1-3-2. QH BOARD REMOVAL	1-7		4-2. DISPLAY UNIT (LDM-4210)
1-3-3. H1, H2, H3 AND H4 BOARDS REMOVAL ..	1-8		4-2-1. DISPLAY UNIT-1
1-3-4. G BOARD REMOVAL	1-8		4-2-2. DISPLAY UNIT-2
1-3-5. A BOARD REMOVAL	1-9		4-2-3. DISPLAY UNIT-3
2. ADJUSTMENTS	2-1		4-3. MEDIA RECEIVER UNIT (MBD-XBR950L)
2-1. White Balance Adjustment (LDM-3210/4210)	2-1		4-3-1. MEDIA RECEIVER UNIT-1
3. DIAGRAMS	3-1		4-3-2. MEDIA RECEIVER UNIT-2
3-1. BLOCK DIAGRAMS	3-1		4-3-3. MEDIA RECEIVER UNIT-3
3-1-1. DISPLAY UNIT (LDM-3210/4210)	3-1		4-4. PACKING MATERIALS FOR DISPLAY UNIT (LDM-3210)
3-1-2. MEDIA RECEIVER UNIT (MBD-XBR950L) ..	3-7		4-5. PACKING MATERIALS FOR DISPLAY UNIT (LDM-4210)
3-2. FRAME DIAGRAMS	3-11		4-6. PACKING MATERIALS FOR MEDIA RECEIVER UNIT (MBD-XBR950L)
3-2-1. KDL32XBR950	3-11		5. ELECTRICAL PARTS LIST
3-2-2. KDL42XBR950	3-12		5-1
3-3. CIRCUIT BOARDS LOCATION	3-13		
3-3-1. DISPLAY UNIT (LDM-3210)	3-13		
3-3-2. DISPLAY UNIT (LDM-4210)	3-13		
3-3-3. MEDIA RECEIVER UNIT (MBD-XBR950L) ..	3-13		
3-4. SCHEMATIC DIAGRAMS AND PRINTED WIRING BOARDS	3-13		
3-4-1. DISPLAY UNIT (LDM-3210/4210)	3-14		
(1) Schematic Diagrams of DES Board	3-14		
(2) Schematic Diagram of G1 Board (LDM-3210) ...	3-23		
(3) Schematic Diagram of G2 Board (LDM-4210) ...	3-25		
(4) Schematic Diagram of K Board (LDM-3210) ...	3-27		
(5) Schematic Diagram of K1 Board (LDM-4210) ...	3-29		
(6) Schematic Diagram of K2 Board (LDM-4210) ...	3-31		
(7) Schematic Diagram of T Board (LDM-4210) ...	3-31		
(8) Schematic Diagram of R1 and R2 Boards (LDM-3210) ...	3-32		
(9) Schematic Diagram of R3 and R4 Boards (LDM-4210) ...	3-33		
3-4-2. MEDIA RECEIVER UNIT (MBD-XBR950L) ..	3-34		
(1) Schematic Diagrams of A Board	3-34		
(2) Schematic Diagrams of DIC2 Board	3-39		

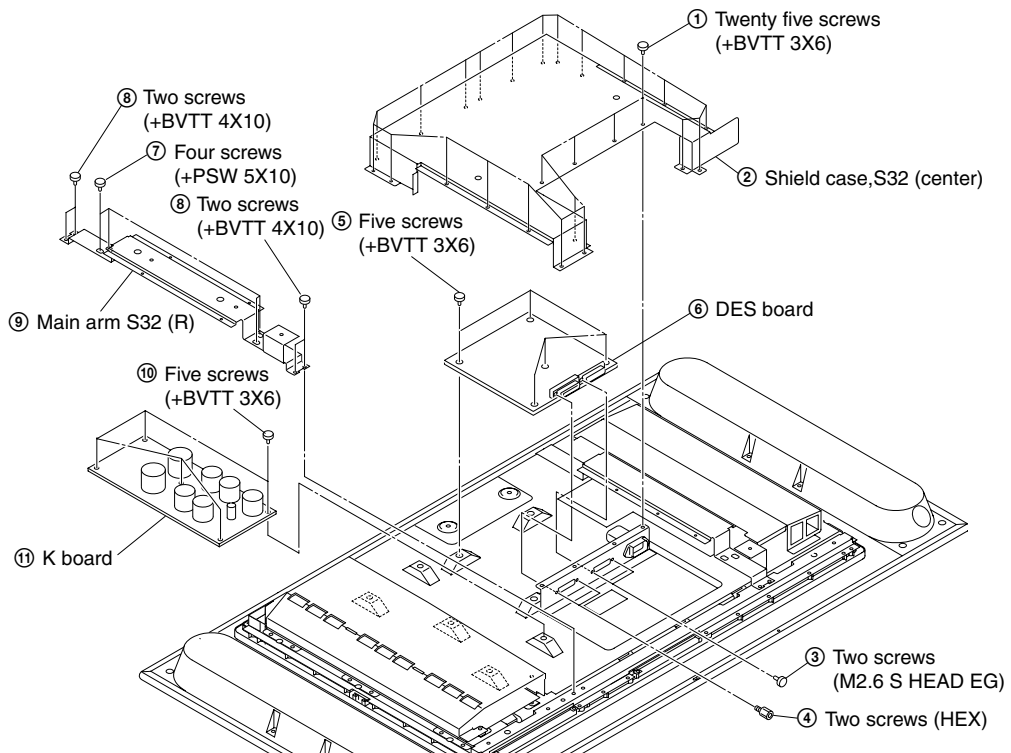
SECTION 1 DISASSEMBLY

1-1. DISPLAY UNIT-1 (LDM-3210)

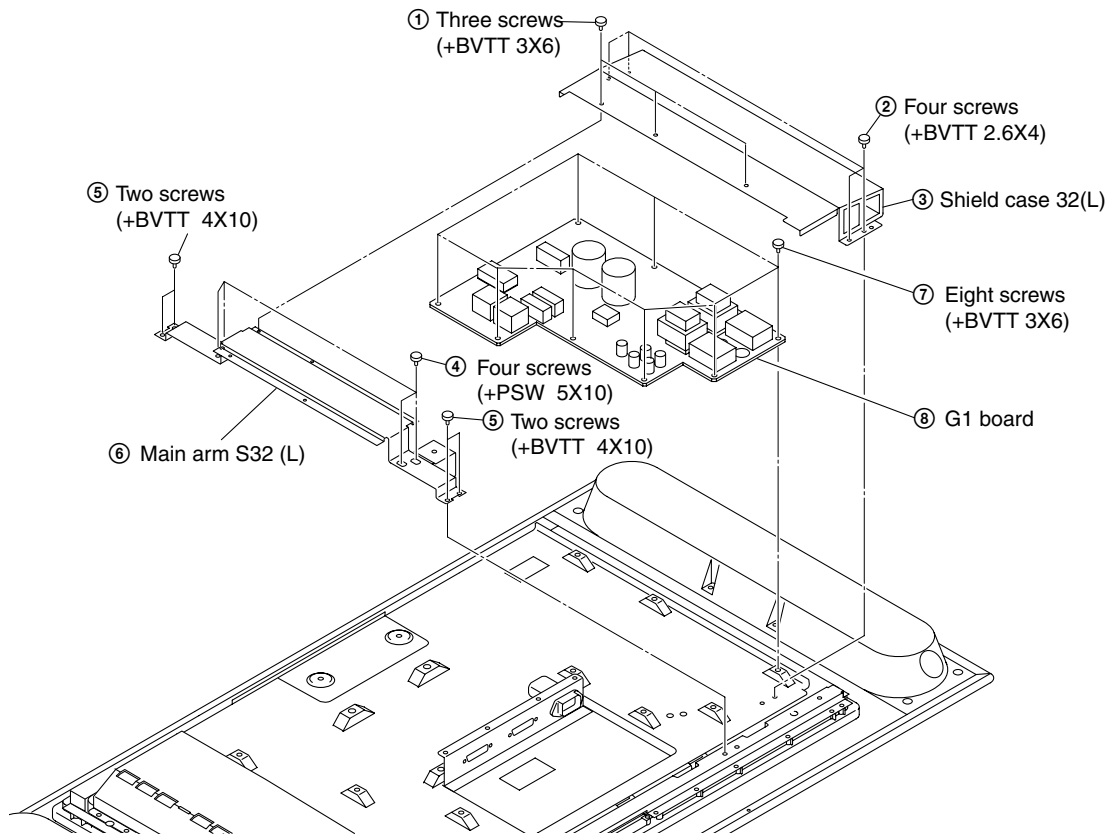
1-1-1. STAND ASSY AND REAR COVER REMOVAL



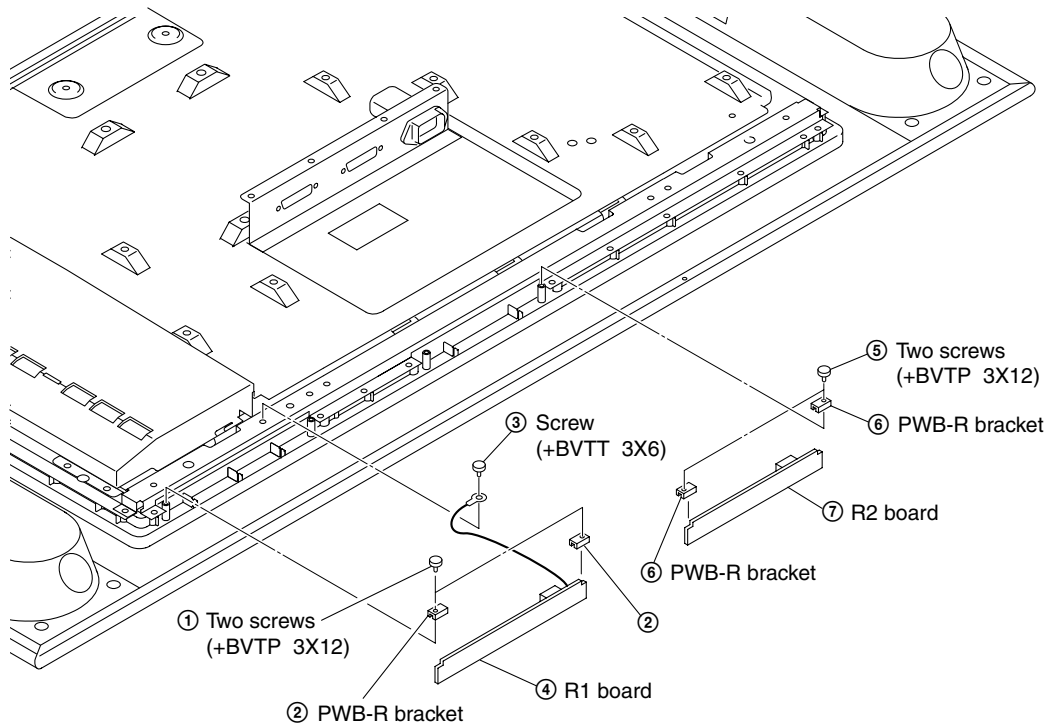
1-1-2. DES AND K BOARDS REMOVAL



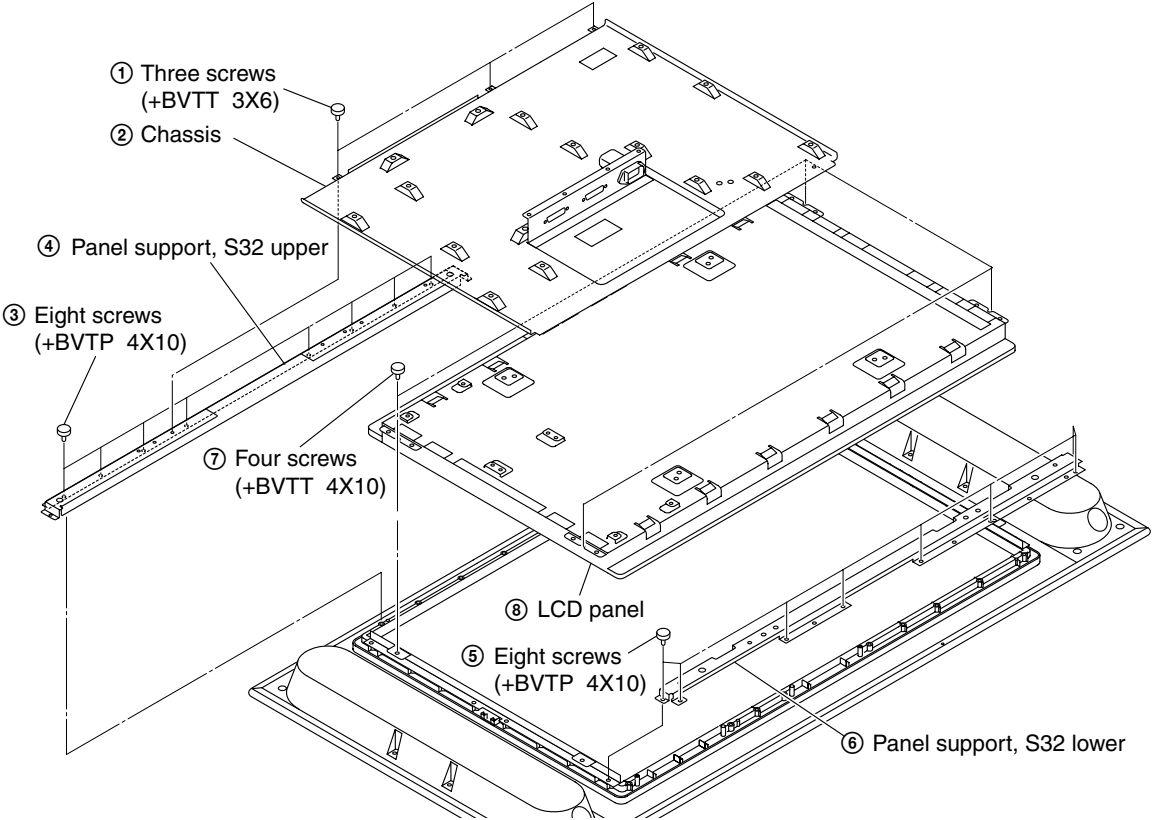
1-1-3. G1 BOARD REMOVAL



1-1-4. R1 AND R2 BOARDS REMOVAL

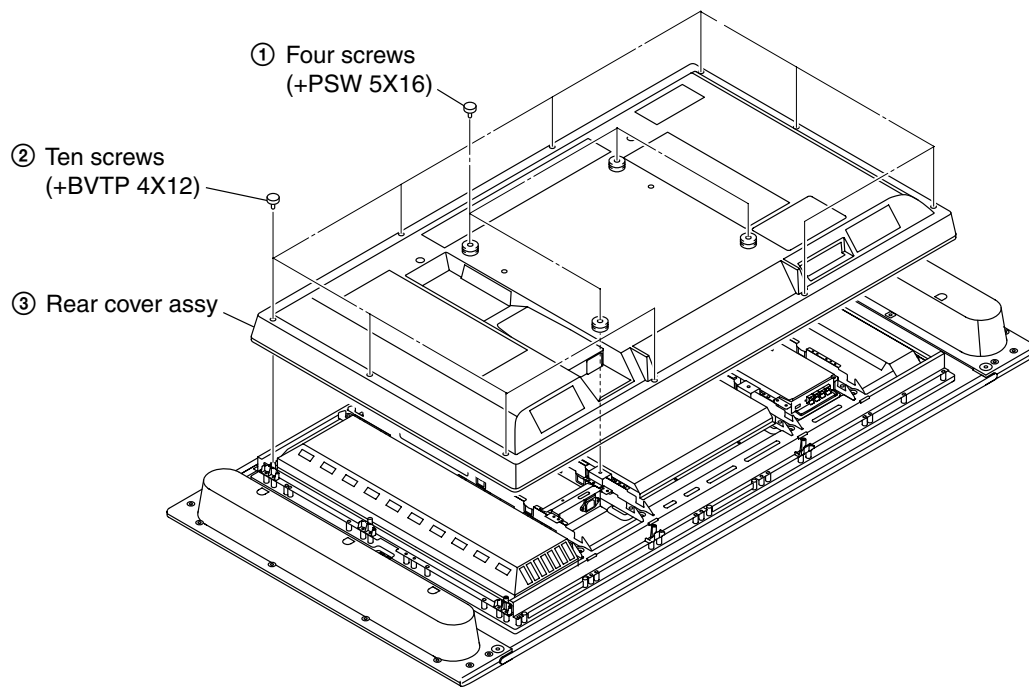


1-1-5. LCD PANEL REMOVAL

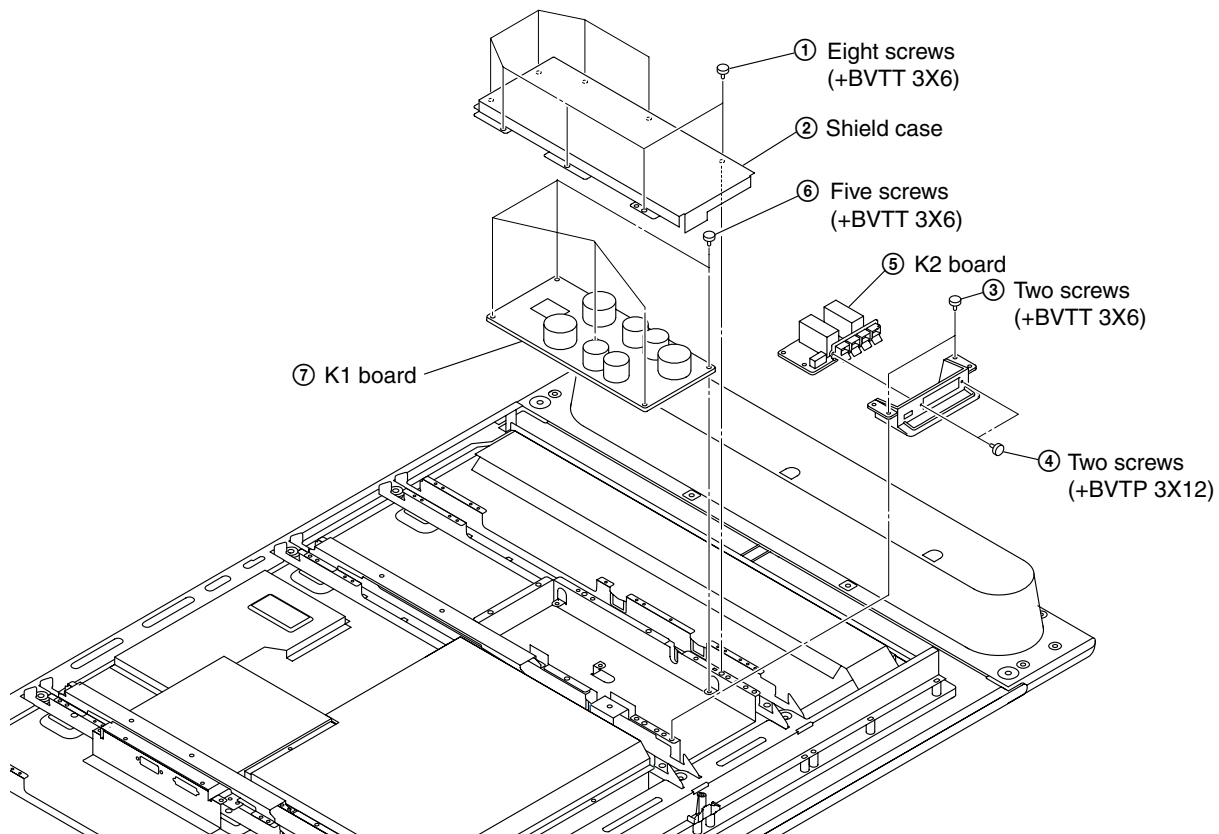


1-2. DISPLAY UNIT-2 (LDM-4210)

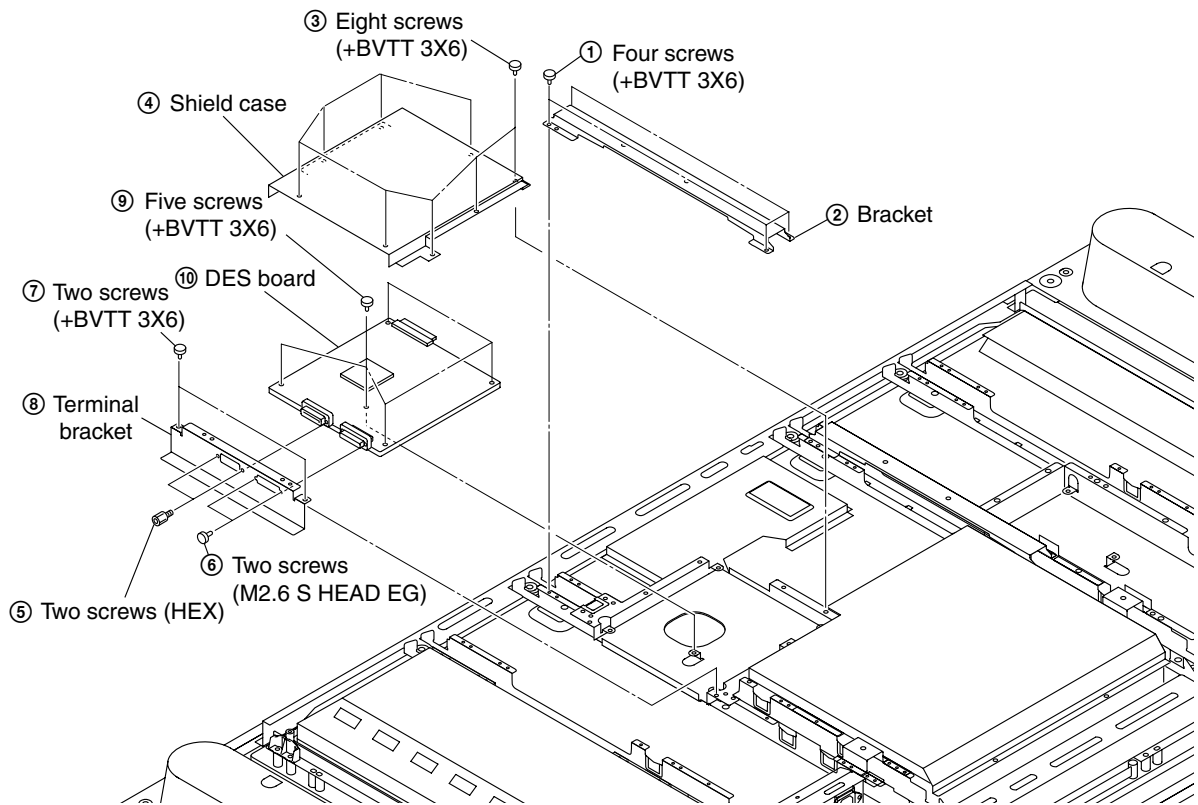
1-2-1. REAR COVER REMOVAL



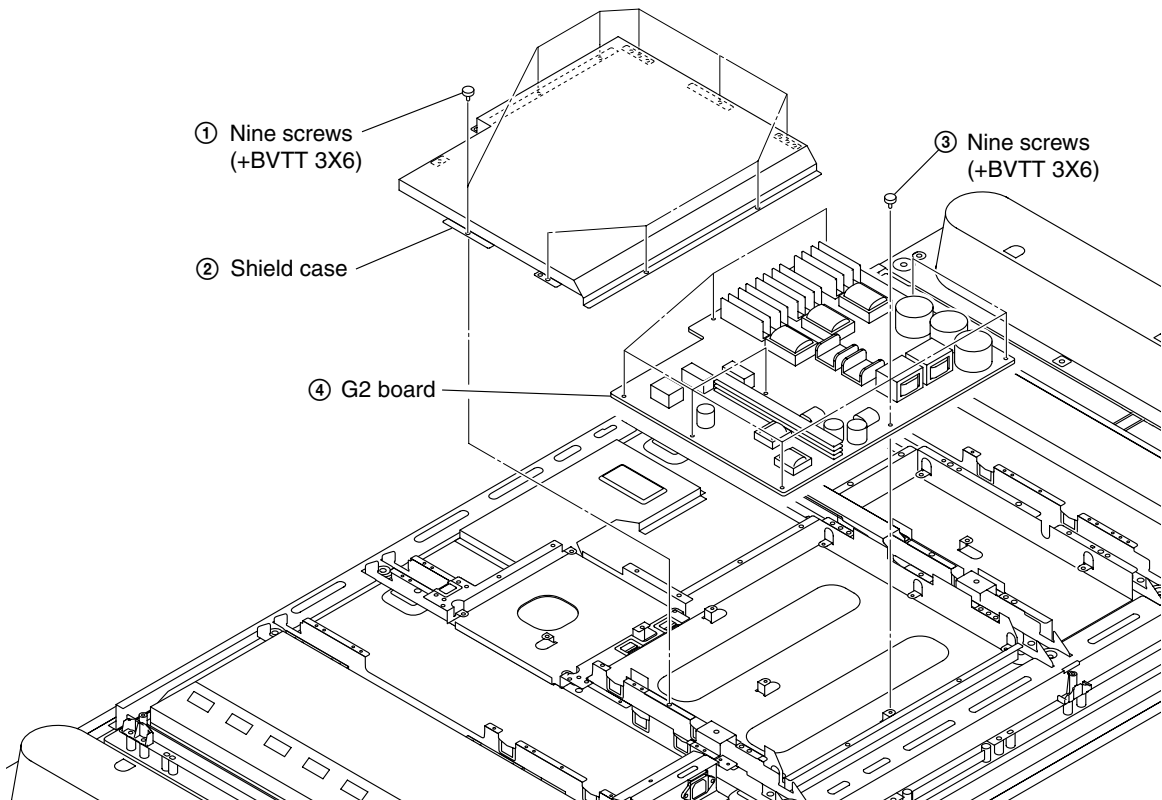
1-2-2. K1 AND K2 BOARDS REMOVAL



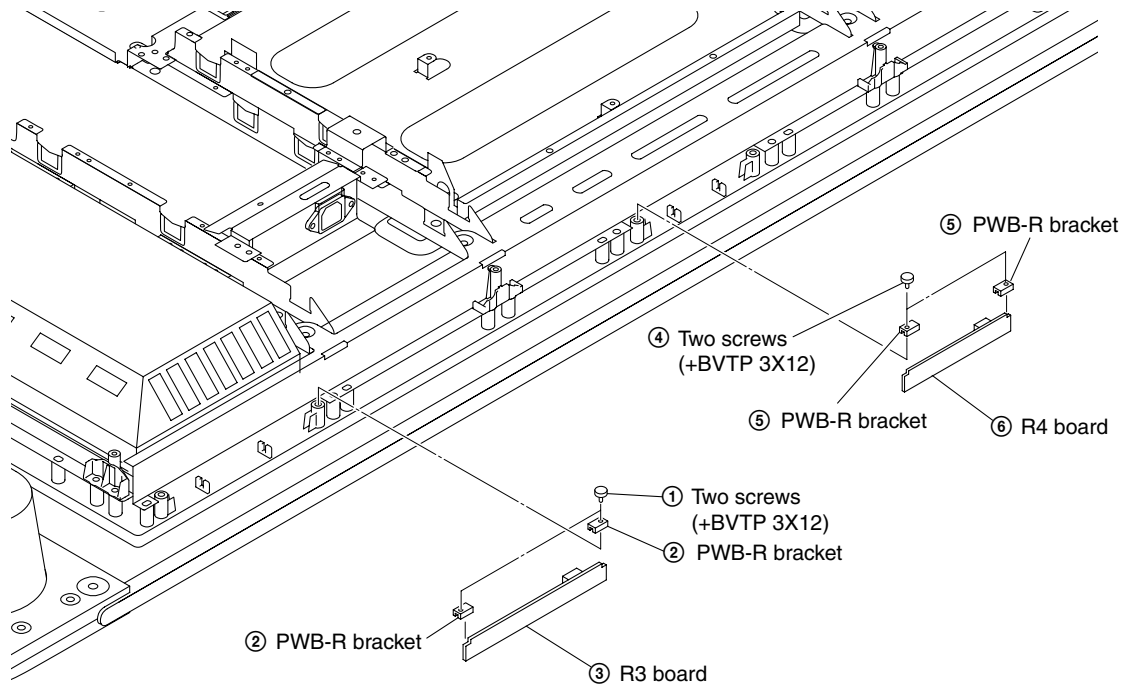
1-2-3. DES BOARD REMOVAL



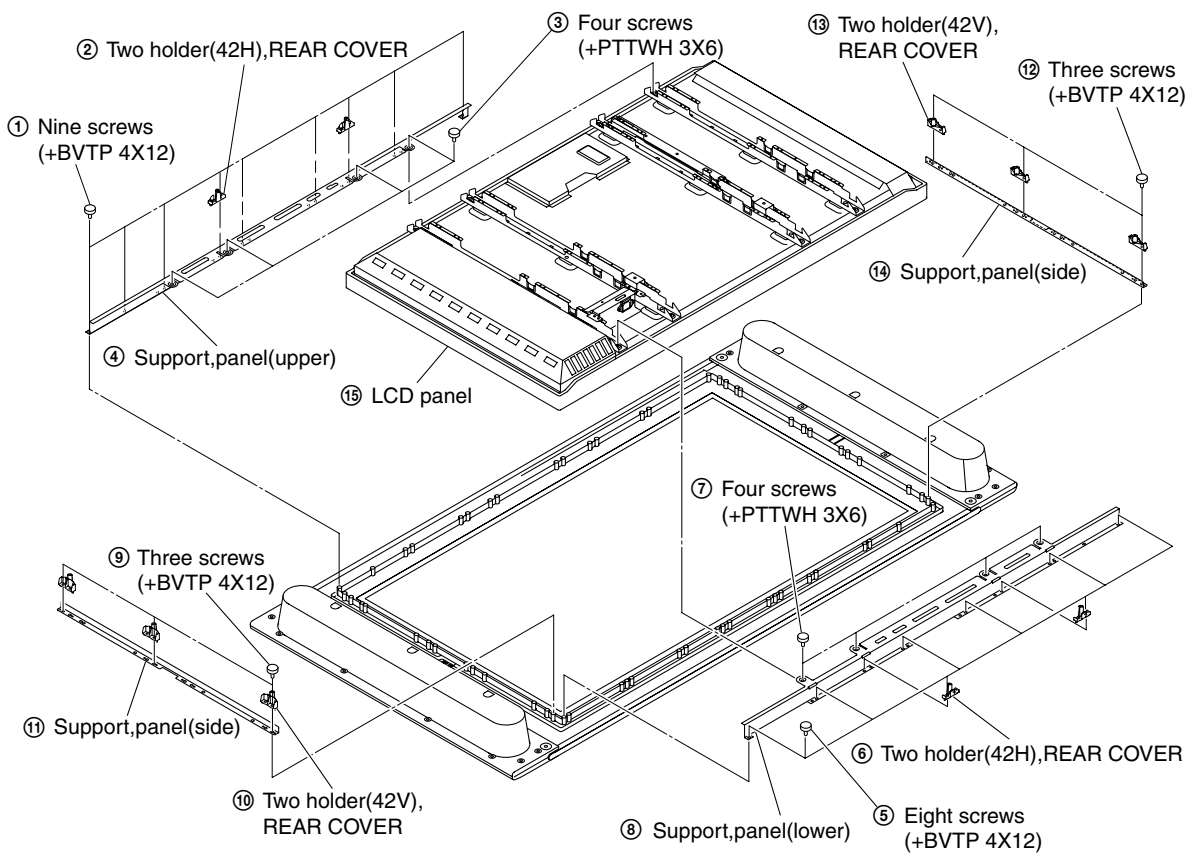
1-2-4. G2 BOARD REMOVAL



1-2-5. R3 AND R4 BOARDS REMOVAL

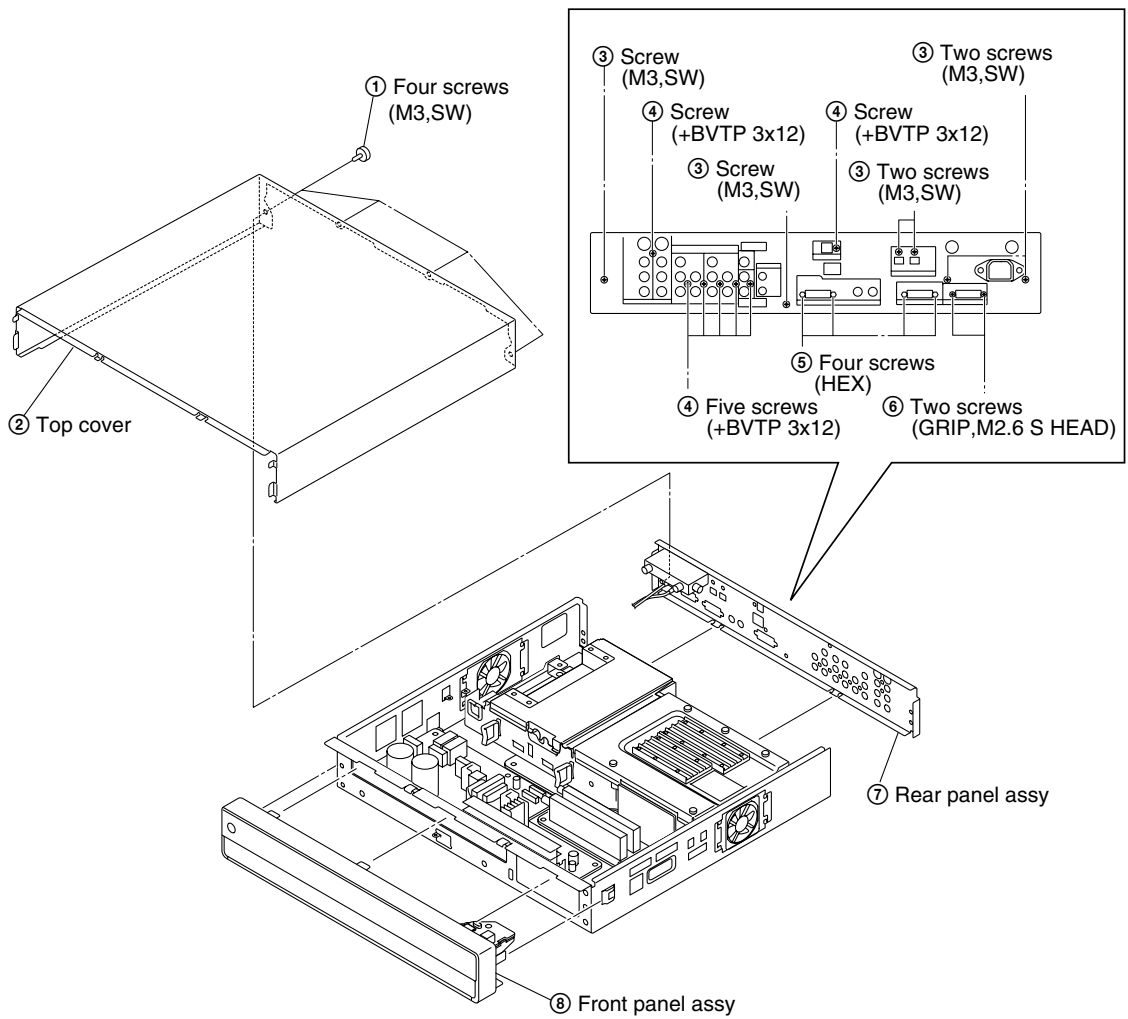


1-2-6. DISPLAY PANEL REMOVAL

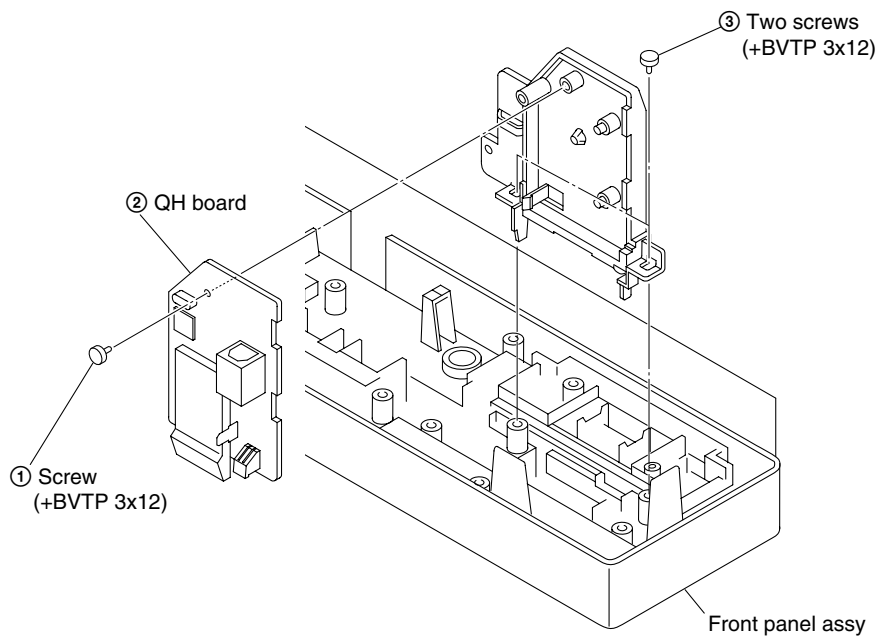


1-3. MEDIA RECEIVER UNIT (MBD-XBR950L)

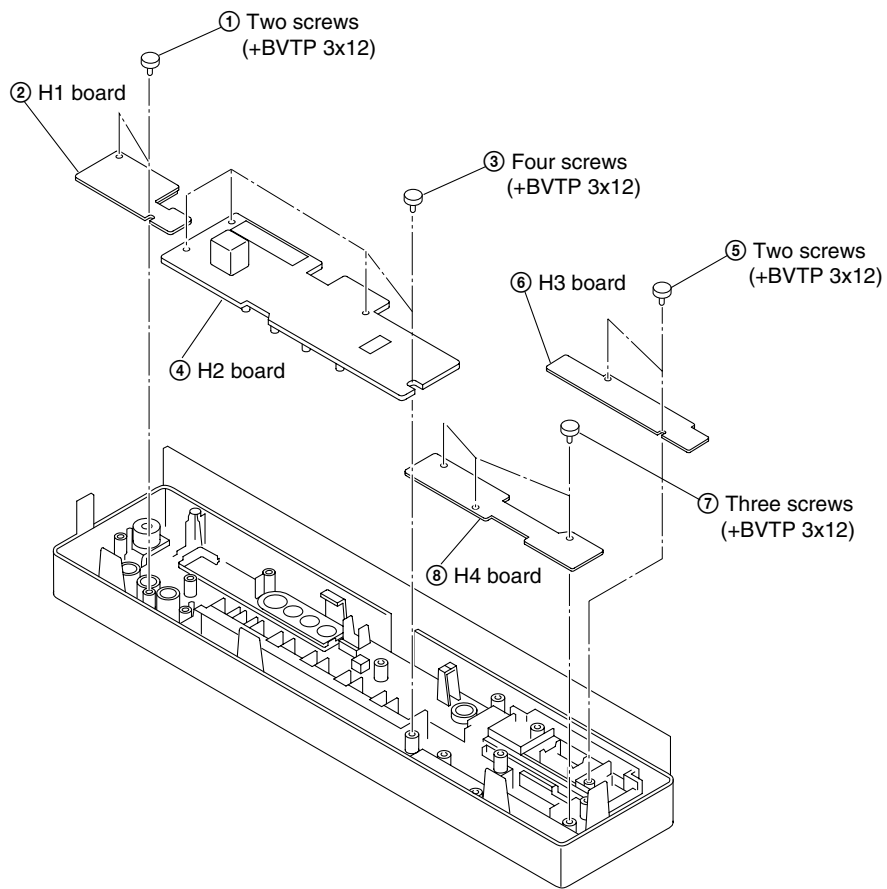
1-3-1. TOP COVERS REMOVAL



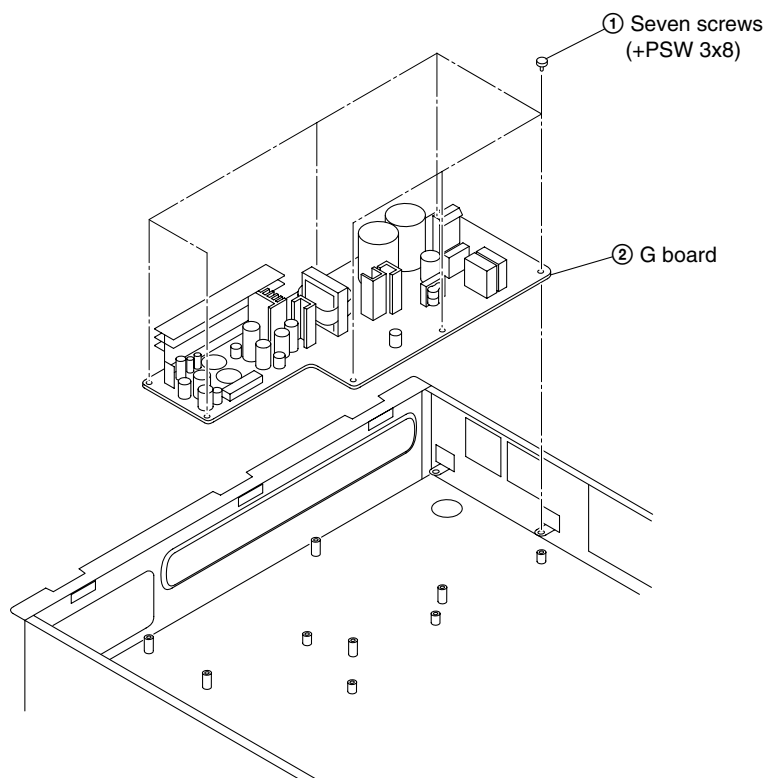
1-3-2. QH BOARD REMOVAL



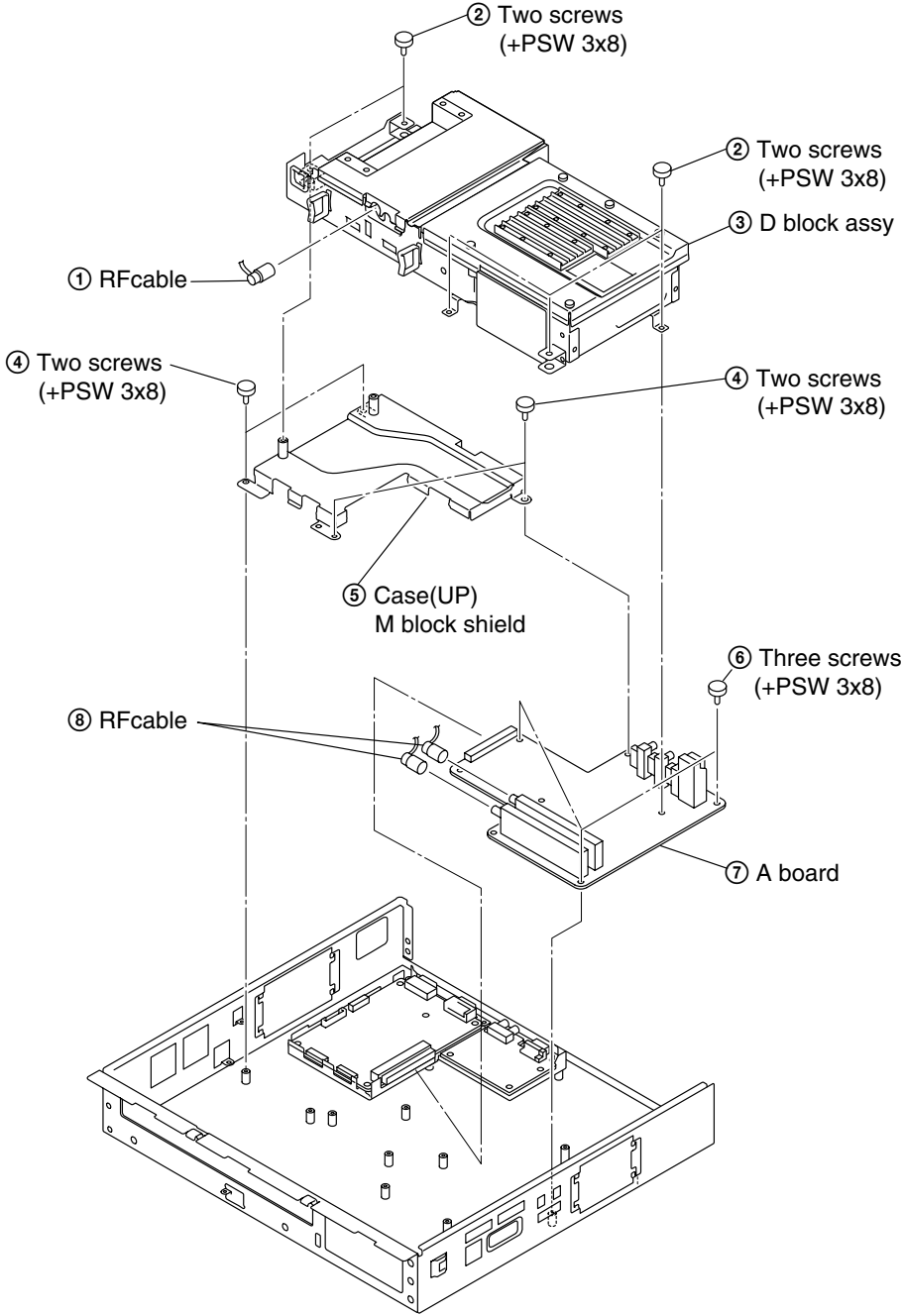
1-3-3. H1, H2, H3 AND H4 BOARDS REMOVAL



1-3-4. G BOARD REMOVAL



1-3-5. A BOARD REMOVAL



SECTION 2 ADJUSTMENTS

2-1. White Balance Adjustment (LDM-3210/4210)

• **Measurement equipment**

1. Color analyzer (CA-100 manufactured by MINOLTA)
1. Signal generator (ASTRO DESIGN VG-828D)

• **Measuring procedure**

1. Dab the W/B adjustment jig (CA-100) at the glass face of the panel.
2. Connect the Signal generator (VG-828D) to the DVI terminal.
3. Input All-white signal and set the picture mode to DYNAMIC.
4. Select "PNLCTRL" in the service mode menu and set "0 WBNO" at "0"
5. Select "SCNR" "SCNB" or "PDPWB" in the service mode menu, and then adjust following W/B standardized values of 6500K, 8000K, 9300K, 10000K and 13550K to following values of X/Y.

W/B standardized values:

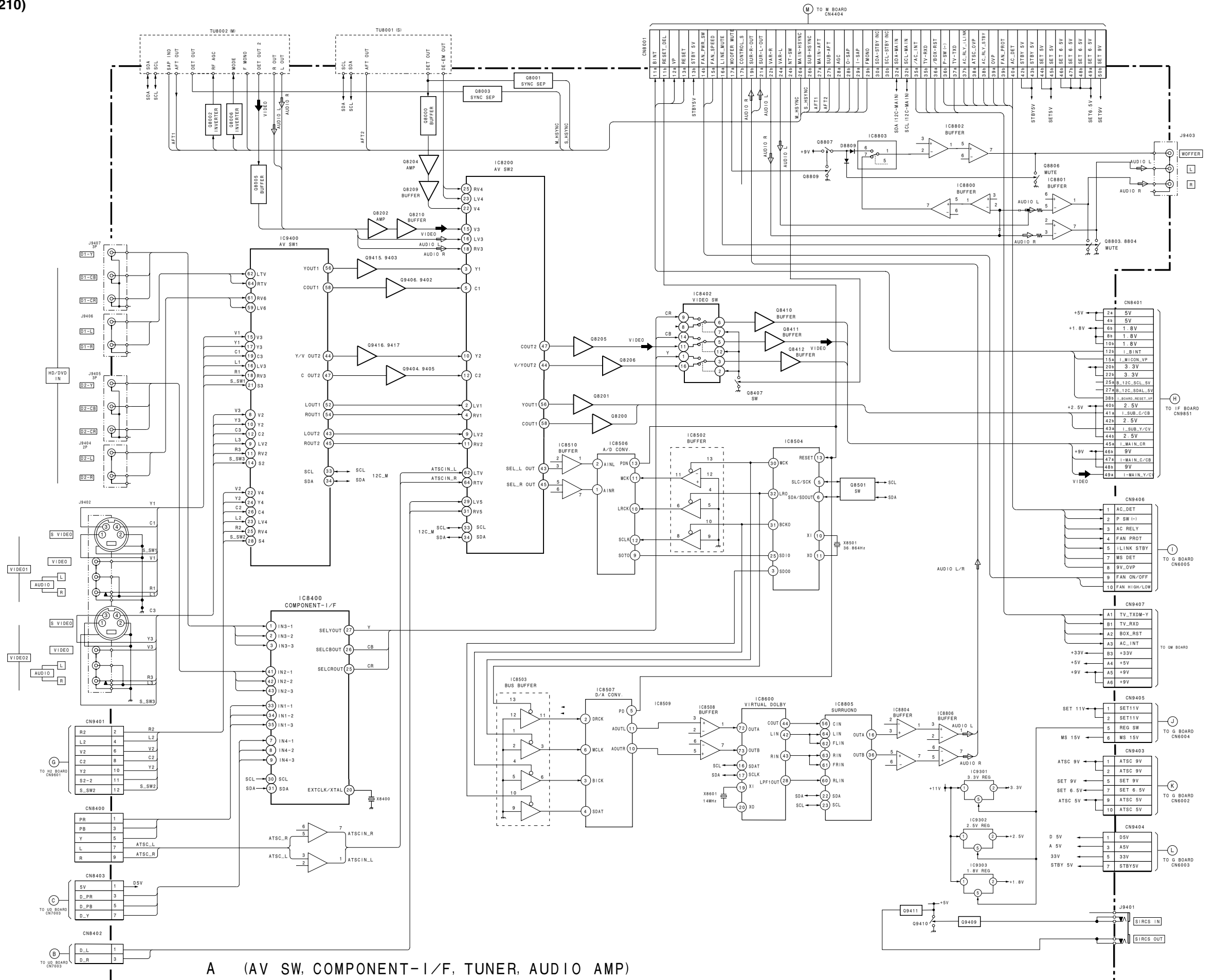
	6500K+8MPCD	8000K+8MPCD	9300K+8MPCD
W/B	0	1	2
X	0.3133±0.003	0.2944±0.003	0.2838±0.003
Y	0.3297±0.003	0.3100±0.003	0.2981±0.003

	10000K	13550K
W/B	3	4
X	0.2806±0.003	0.2684±0.003
Y	0.2883±0.003	0.2700±0.003

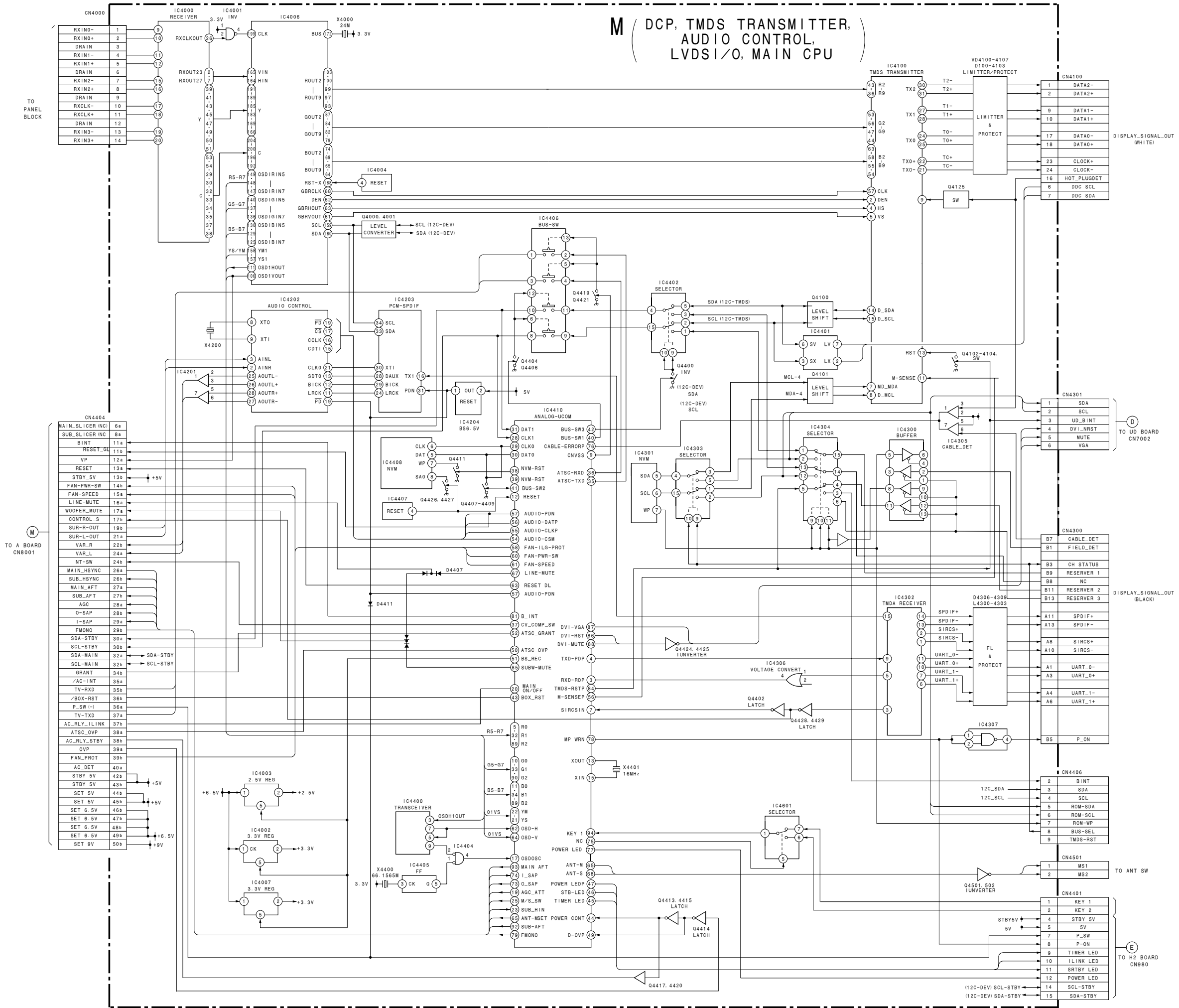
6. After adjusting the values, at the values of the "SCNR" or "SCNB" exceeding 128 (initialize value).
 - 1) Reset a larger value of the "SCNR" or "SCNB" at 128.
 - 2) Set the White Balances with the last of items and "SCNG" to the X/Y values above.
7. After the above step, when these item are nonqualified following conditions, set the largest one at 128 and readjust the White Balance with the last two item.
 - 1) No one of "SCNR", "SCNB" and "SCNG" exceeding 128.
 - 2) Confirm the item value 128 at least one item.
8. As a result above, input the sequential number of value to the "SCNR", "SCNB" and "SCNG".
9. Repeat the same step 5 thru 8 for the W/B 1 thru 4 after setting the "0 WBNO" at each W/B number.
10. Input following signals from the Signal generator (VG-828D).
 - 1) All-white signal (255/255) input
Y (luminance)=45cd/m² or more
 - 2) 1/25Window (255/255) input
Y (luminance)=45cd/m² or more

SECTION 3 DIAGRAMS

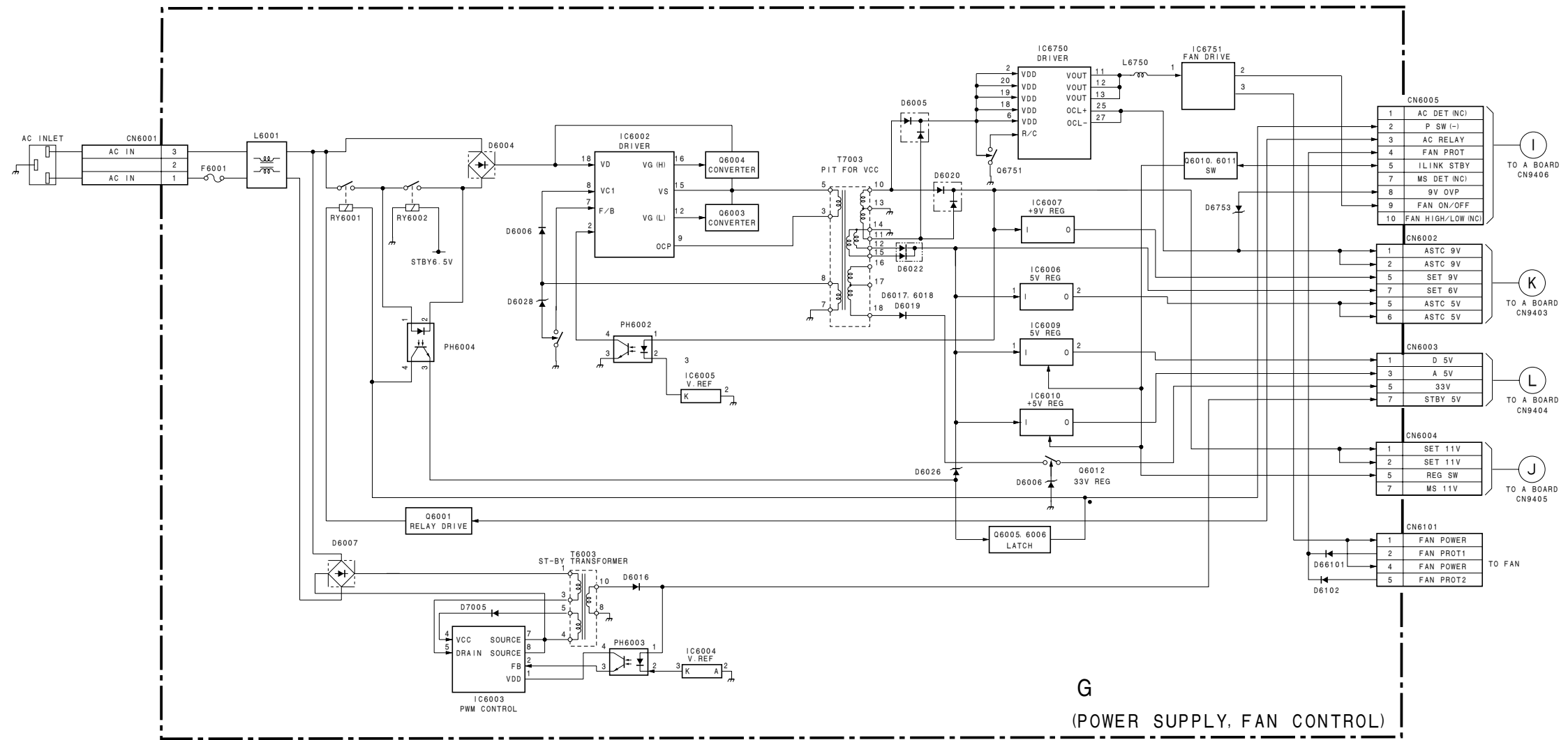
3-1. BLOCK DIAGRAMS 3-1-1. DISPLAY UNIT (LDM-3210/4210)

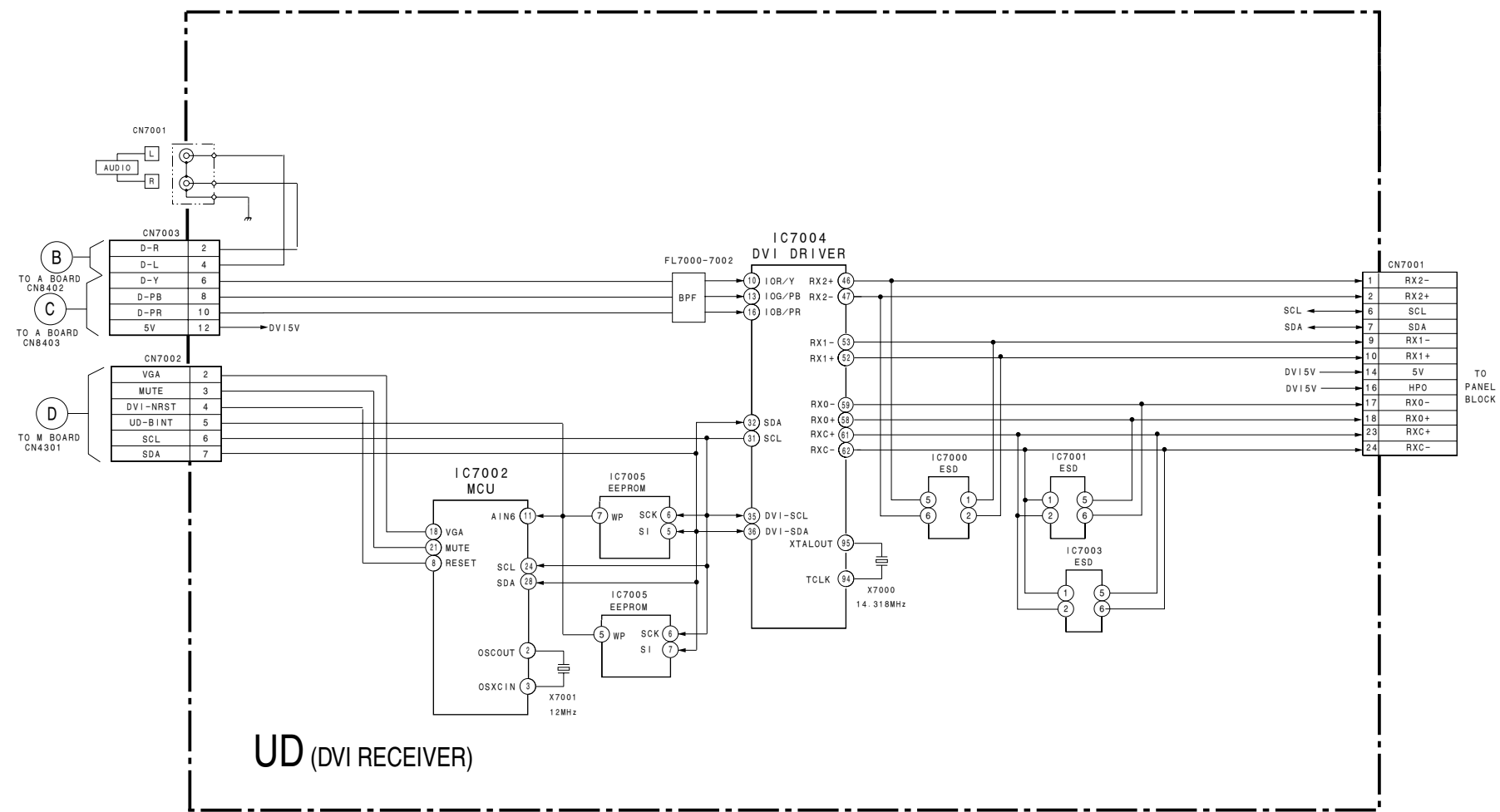


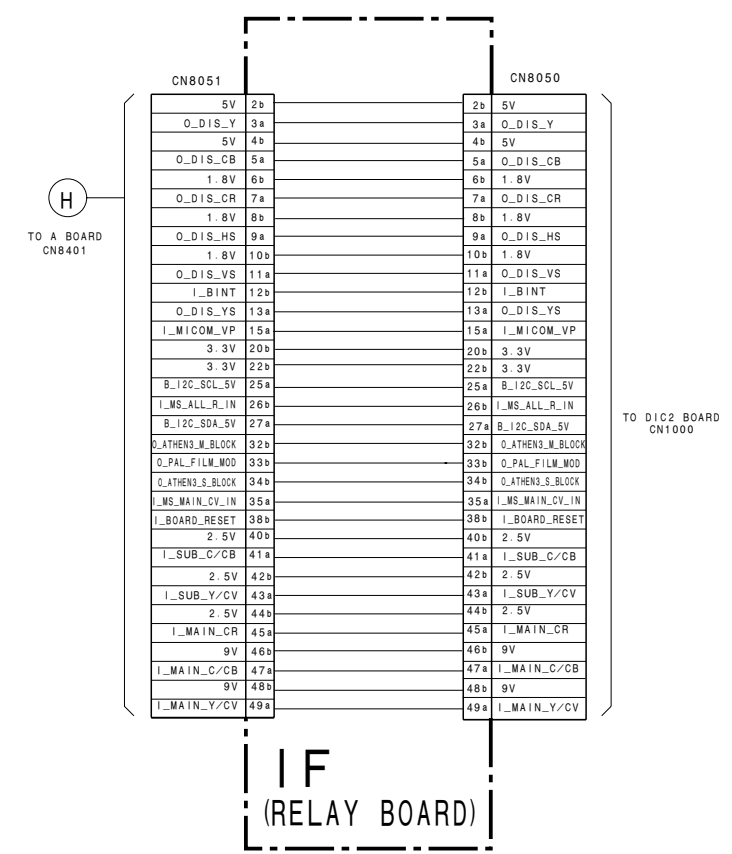
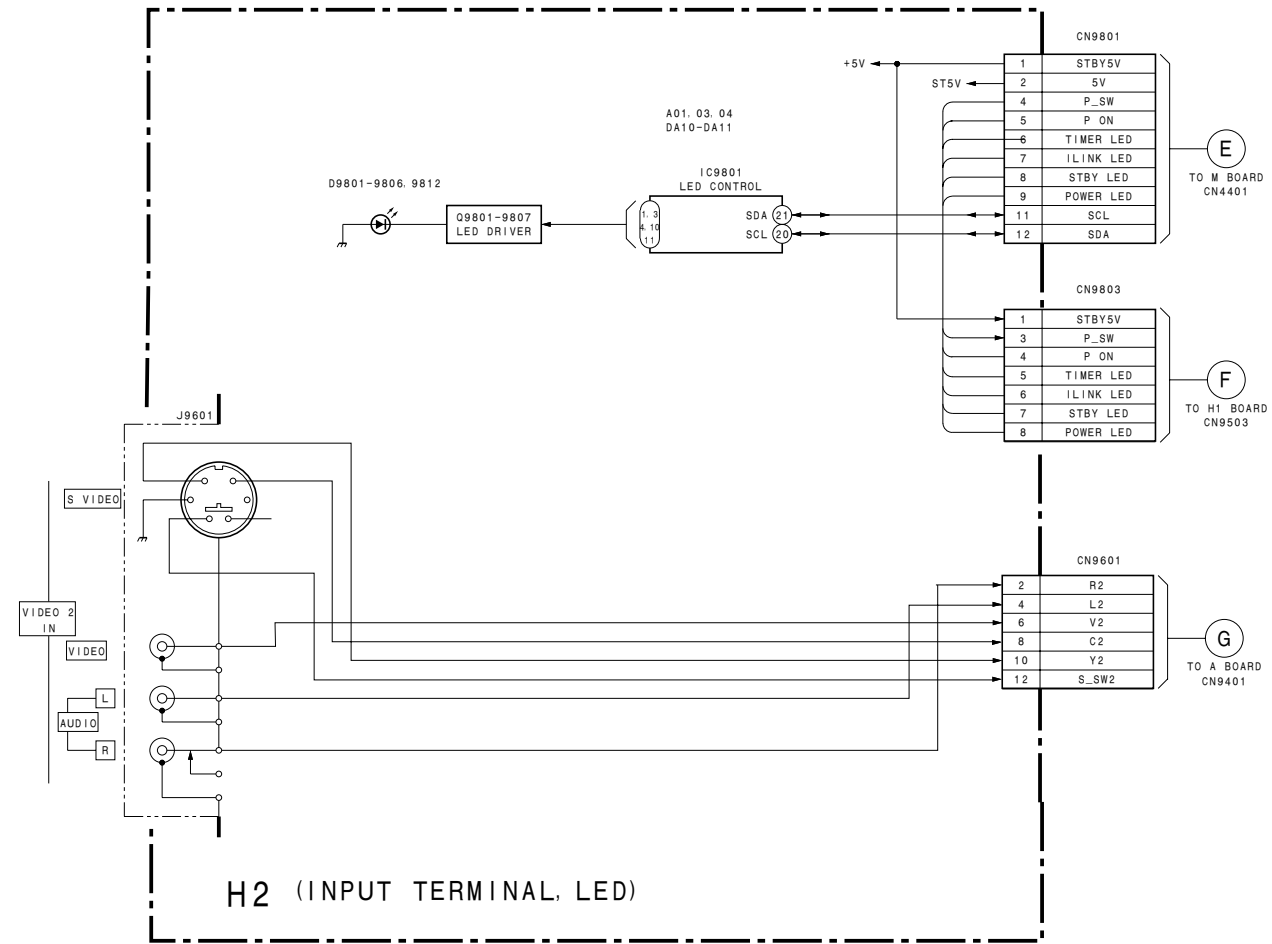
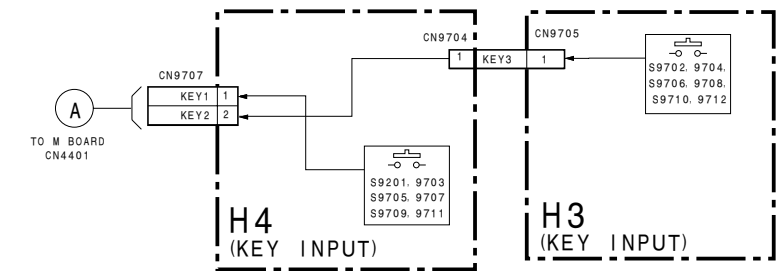
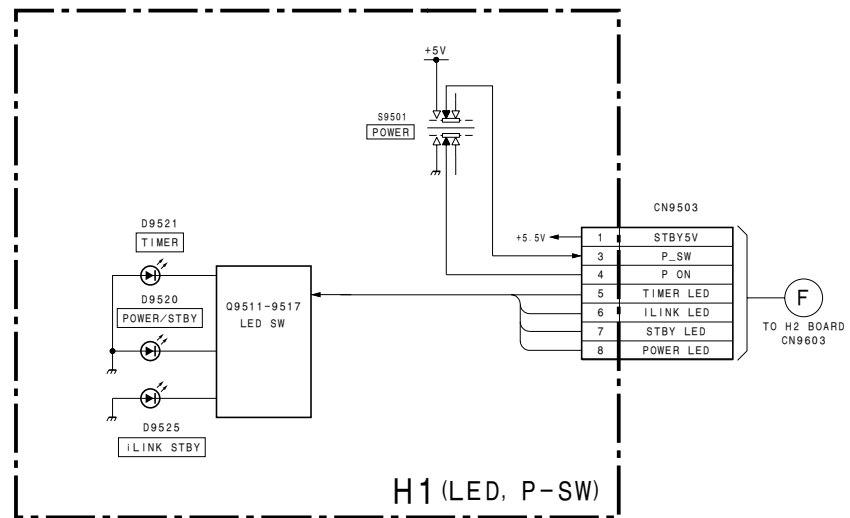
A (AV SW, COMPONENT-1/F, TUNER, AUDIO AMP)

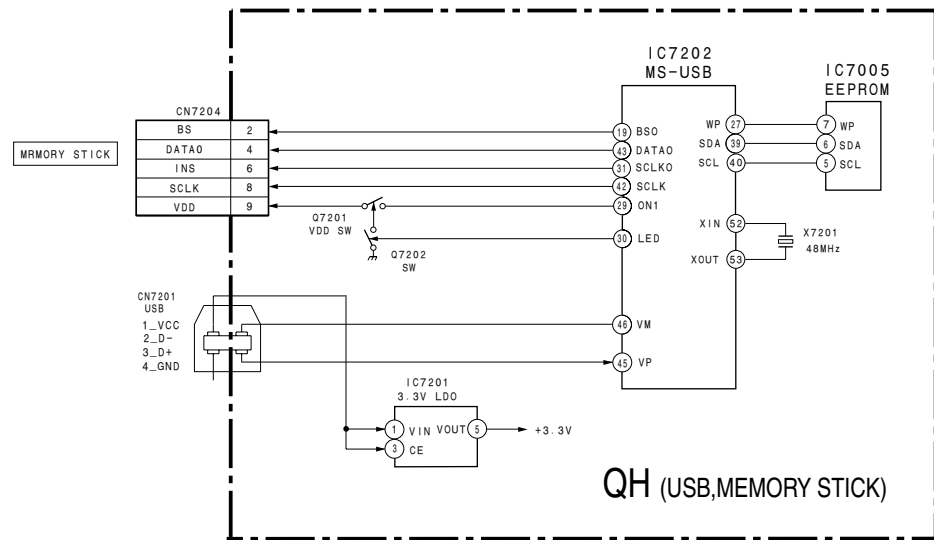


M (DCP, TMD5 TRANSMITTER,
AUDIO CONTROL,
LVDS I/O, MAIN CPU)

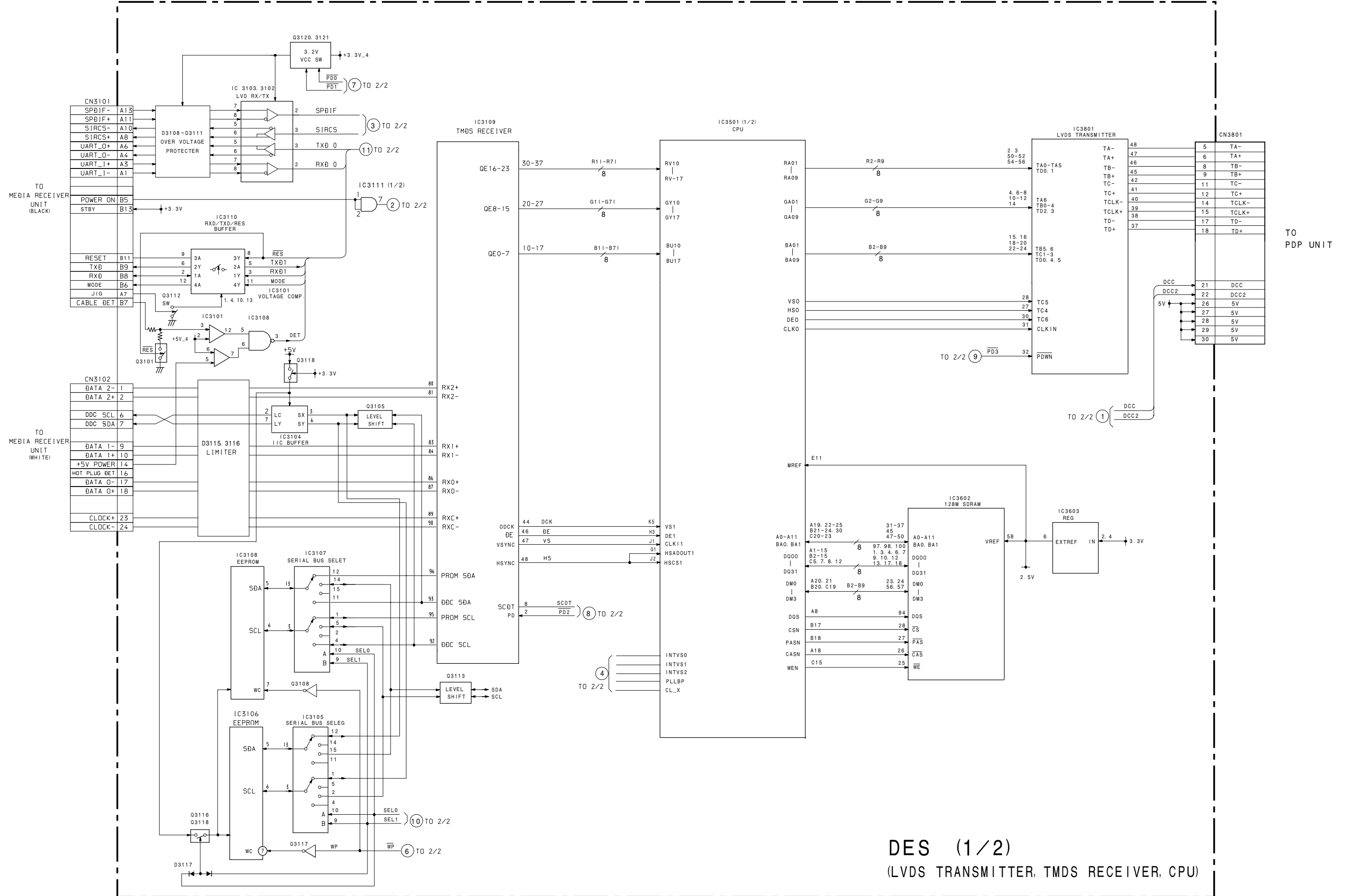




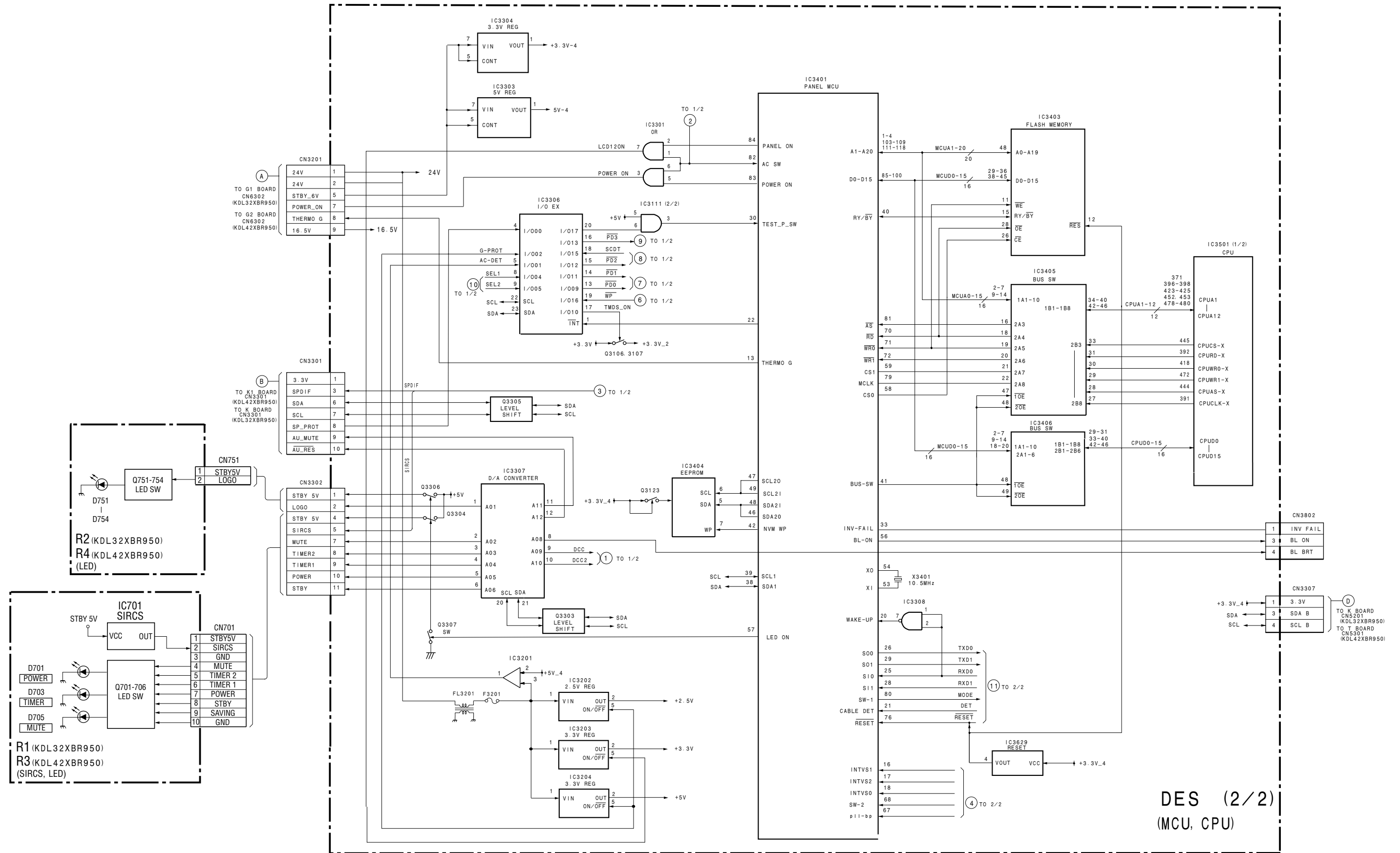




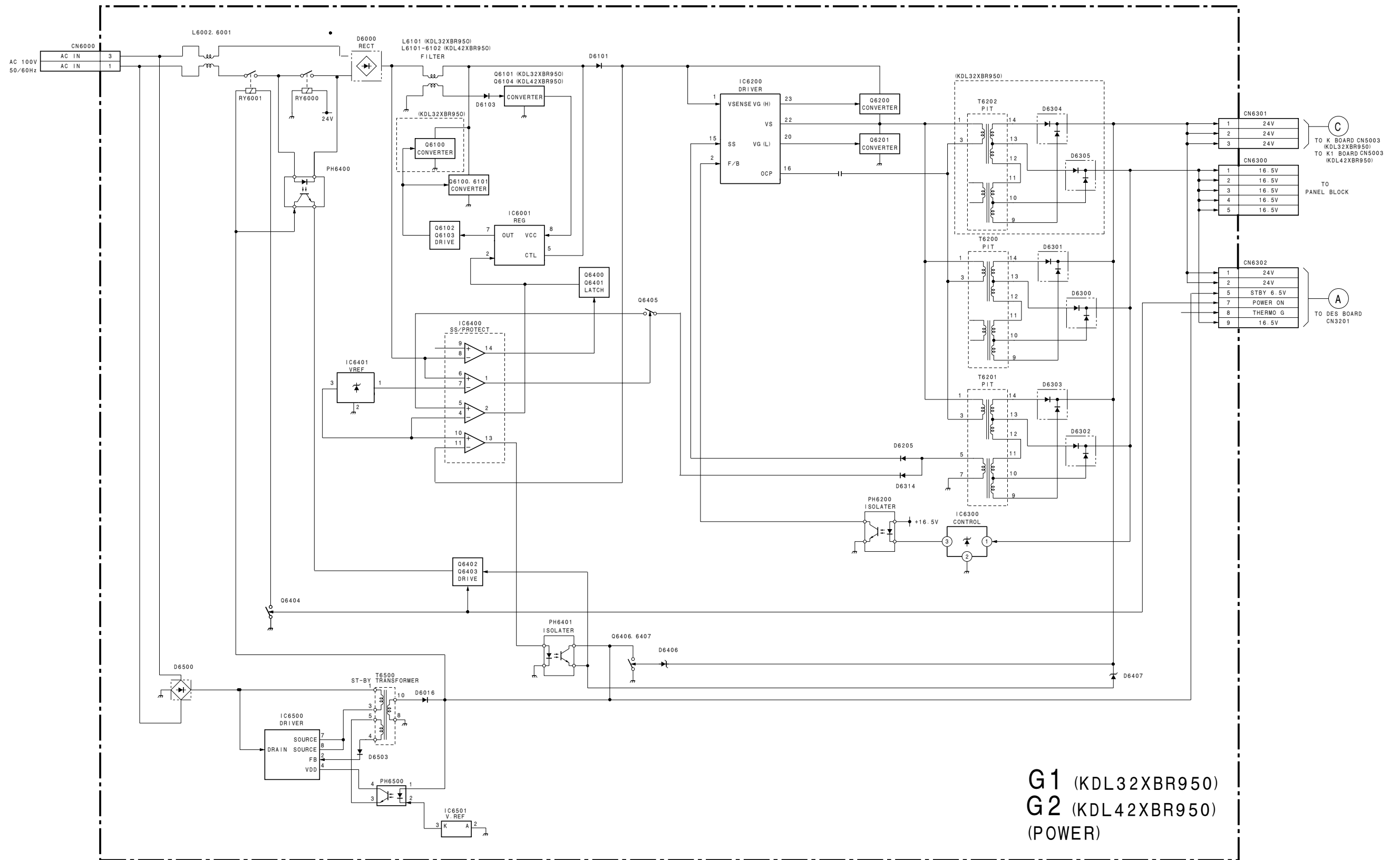
3-1-2. MEDIA RECEIVER UNIT (MBD-XBR950L)

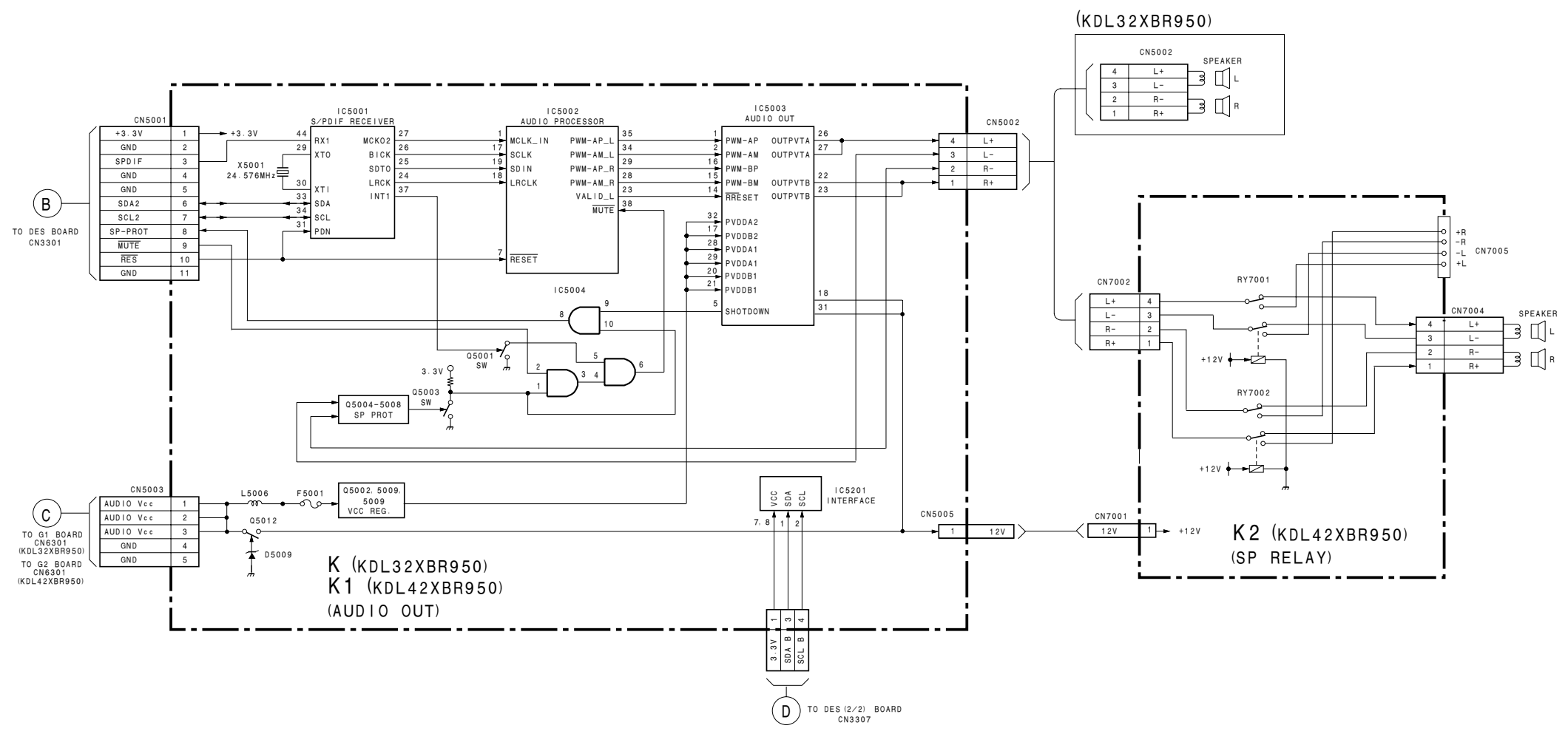


DES (1/2)
(LVDS TRANSMITTER, TMDS RECEIVER, CPU)

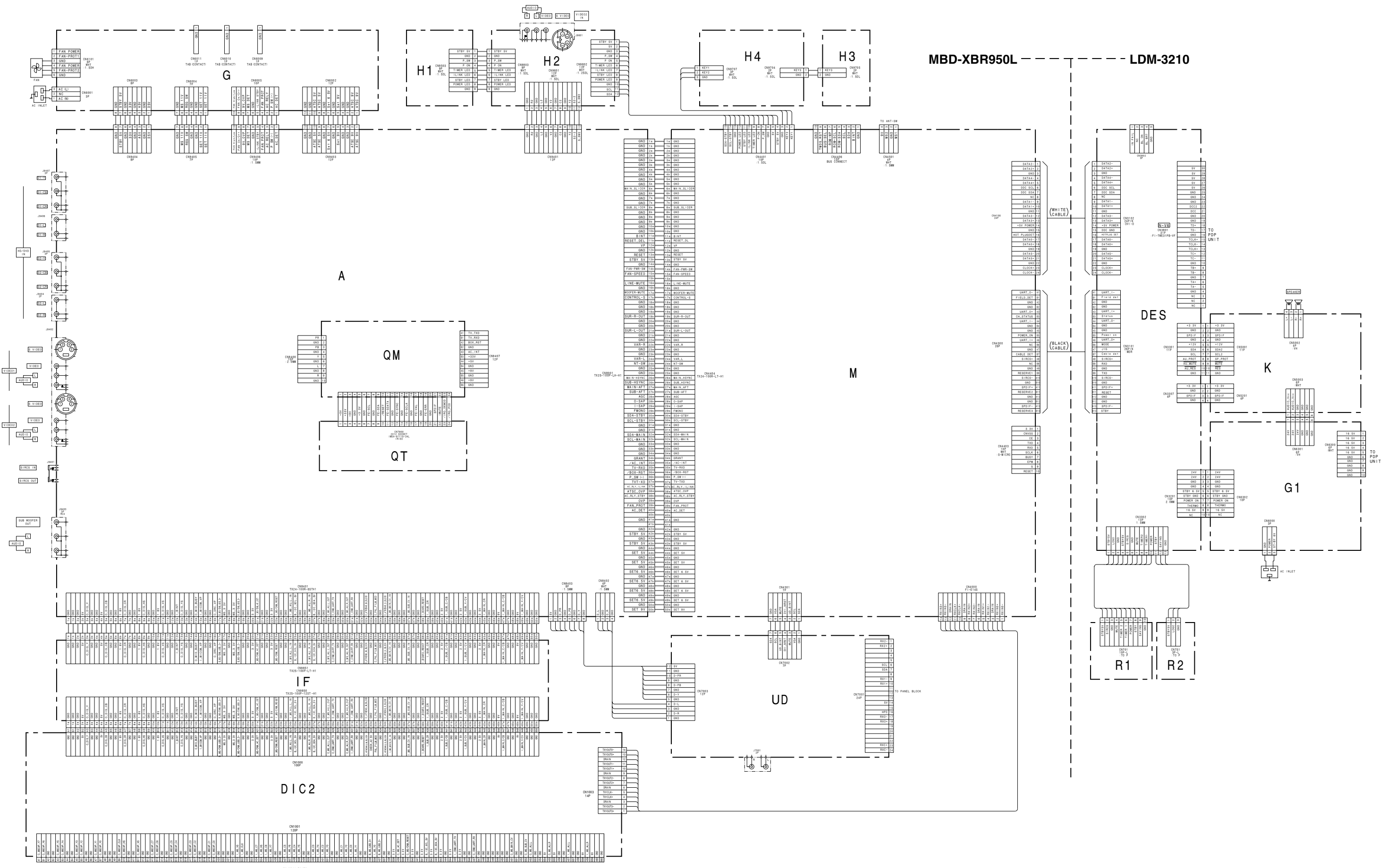


DES (2/2)
(MCU, CPU)

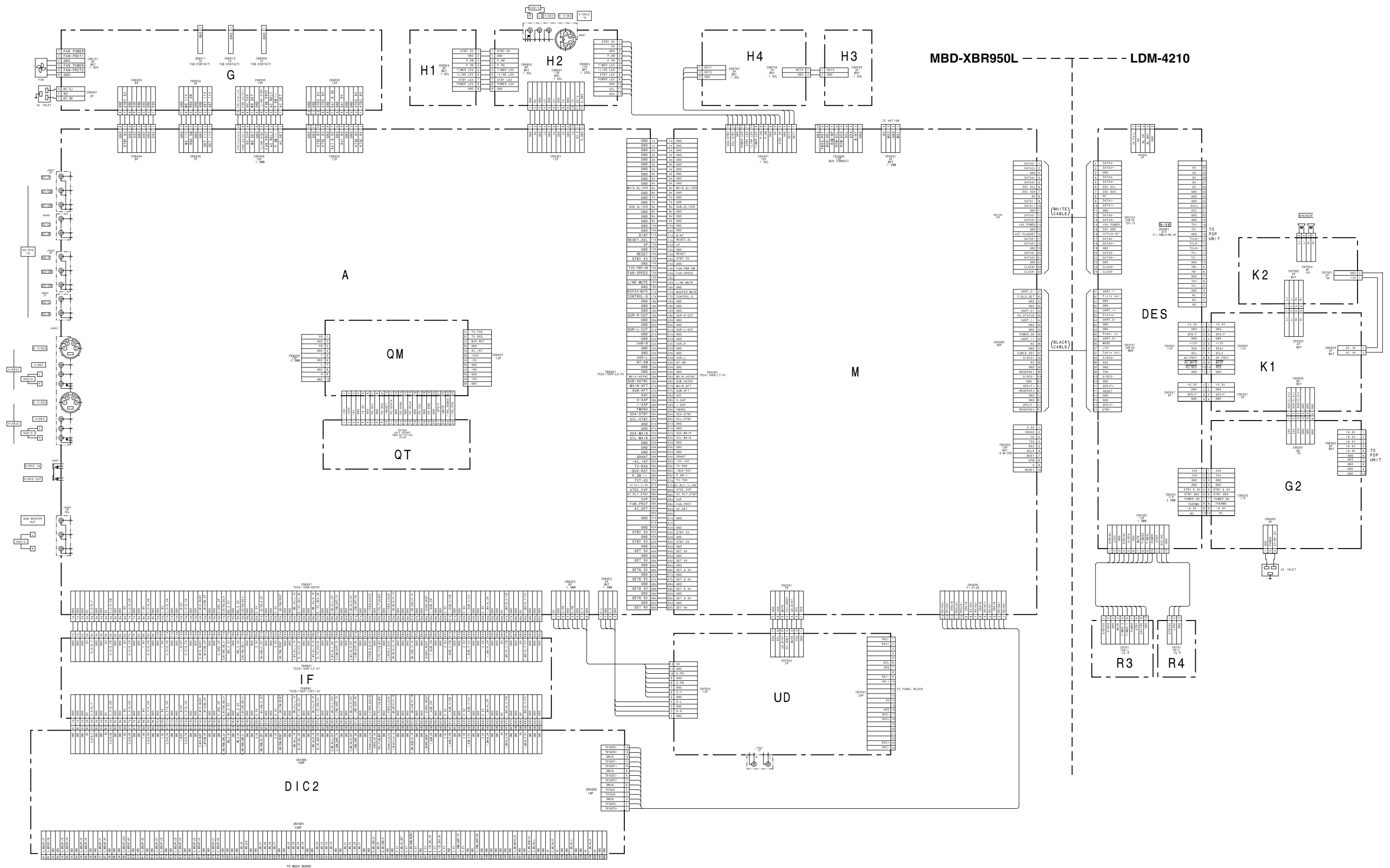




3-2. FRAME DIAGRAMS
3-2-1. KDL32XBR950

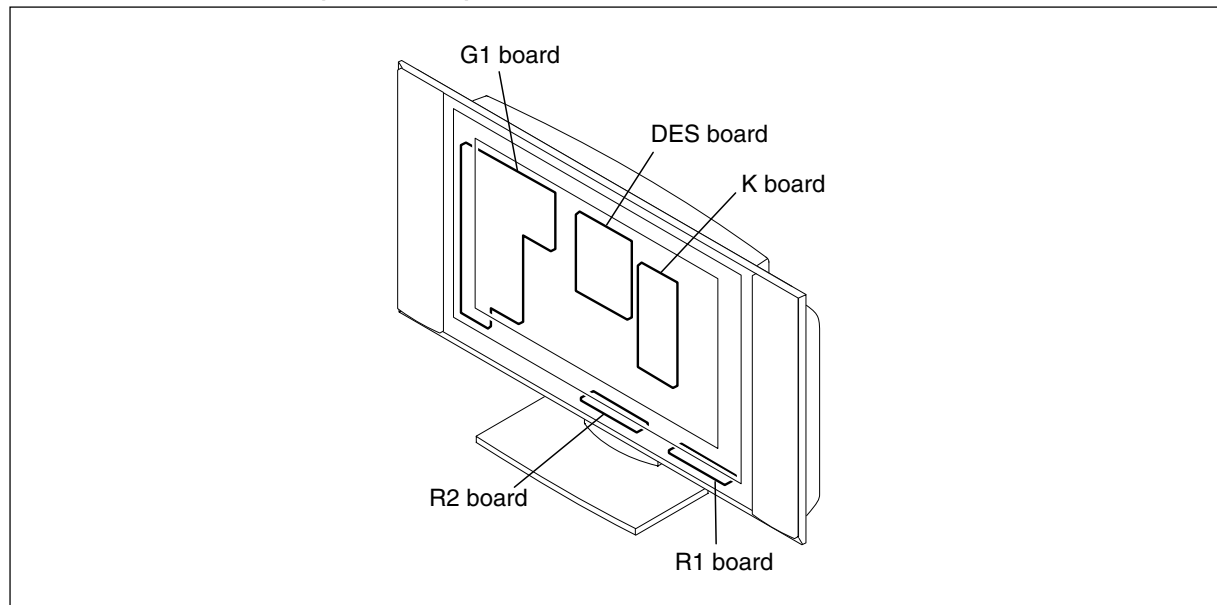


3-2-2. KDL42XBR950

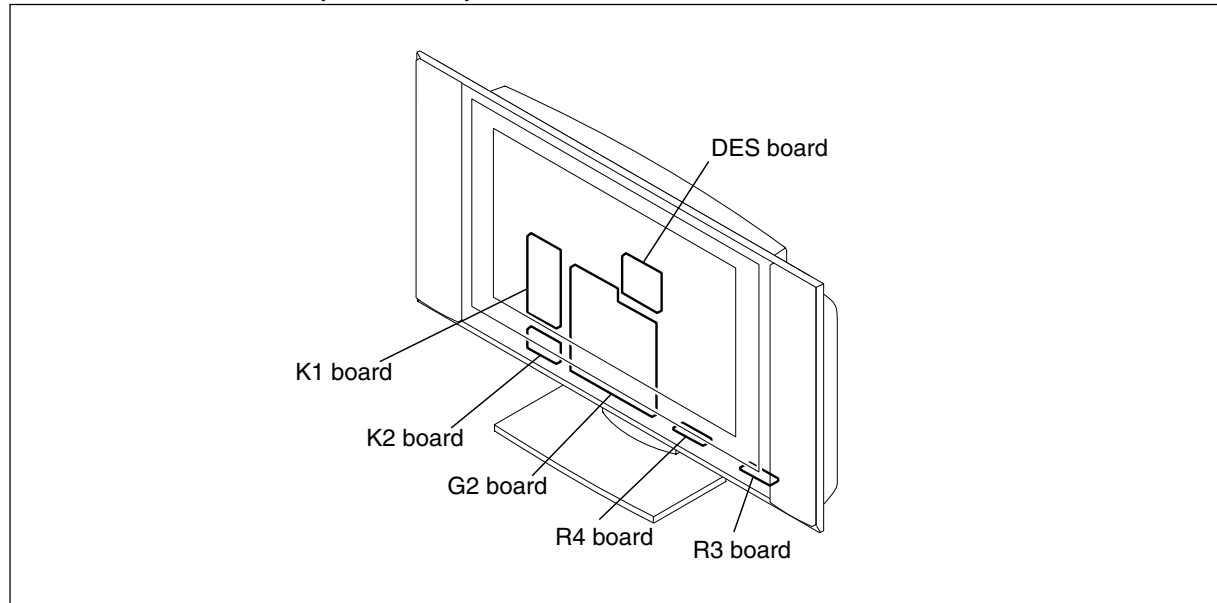


3-3. CIRCUIT BOARDS LOCATION

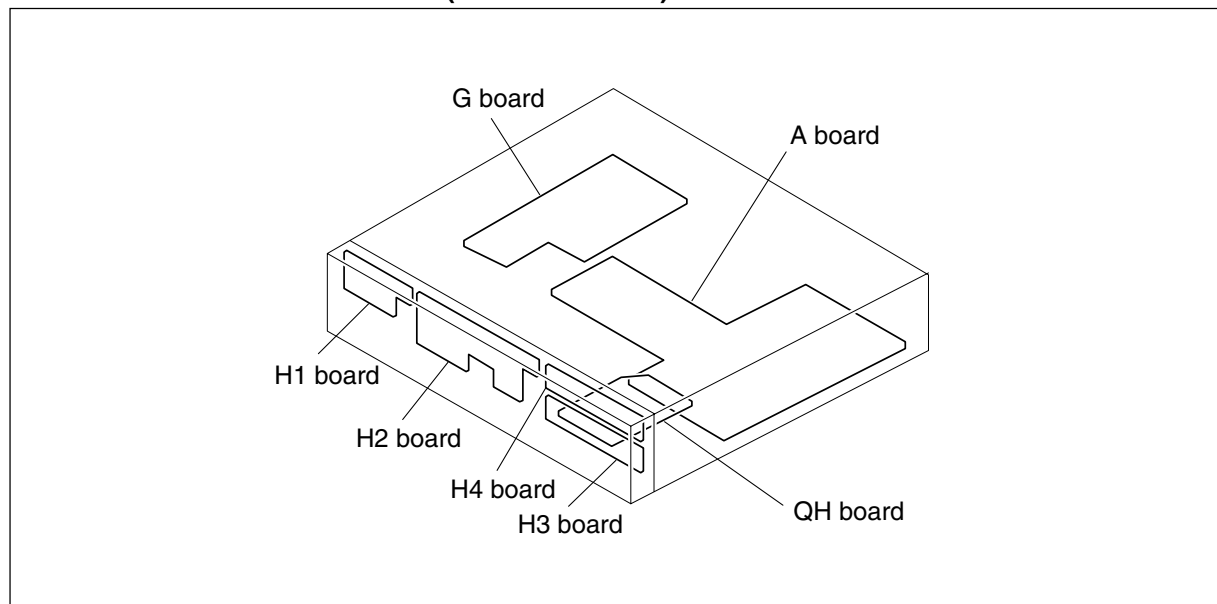
3-3-1. DISPLAY UNIT (LDM-3210)



3-3-2. DISPLAY UNIT (LDM-4210)



3-3-3. MEDIA RECEIVER UNIT (MBD-XBR950L)



3-4. SCHEMATIC DIAGRAMS AND PRINTED WIRING BOARDS

Note:

- All capacitors are in μF unless otherwise noted. (pF : μF)
Capacitors without voltage indication are all 50 V.
- Indication of resistance, which does not have one for rating electrical power, is as follows.

Pitch: 5 mm

Rating electrical power 1/4 W (CHIP : 1/10 W)

- All resistors are in ohms.
- : nonflammable resistor.
- : fusible resistor.
- : internal component.
- : panel designation, and adjustment for repair.
- All variable and adjustable resistors have characteristic curve B, unless otherwise noted.
- : earth-ground.
- : earth-chassis.
- When replacing the part in below table, be sure to perform the related adjustment.
- All voltages are in V.
- Readings are taken with a 10 M digital multimeter.
- Readings are taken with a color-bar signal input.
- Voltage variations may be noted due to normal production tolerances.
- * : Can not be measured.
- Circled numbers are waveform references.**
- : B + bus.
- : B - bus.
- : Signal path.

Note: The components identified by shading and mark Δ are critical for safety. Replace only with part number specified.

Note: Les composants identifiés par un tramé et une marque Δ sont critiques pour la sécurité. Ne les remplacer que par une pièce portant le numéro spécifié.

Terminal name of semiconductors in silk screen printed circuit (*)

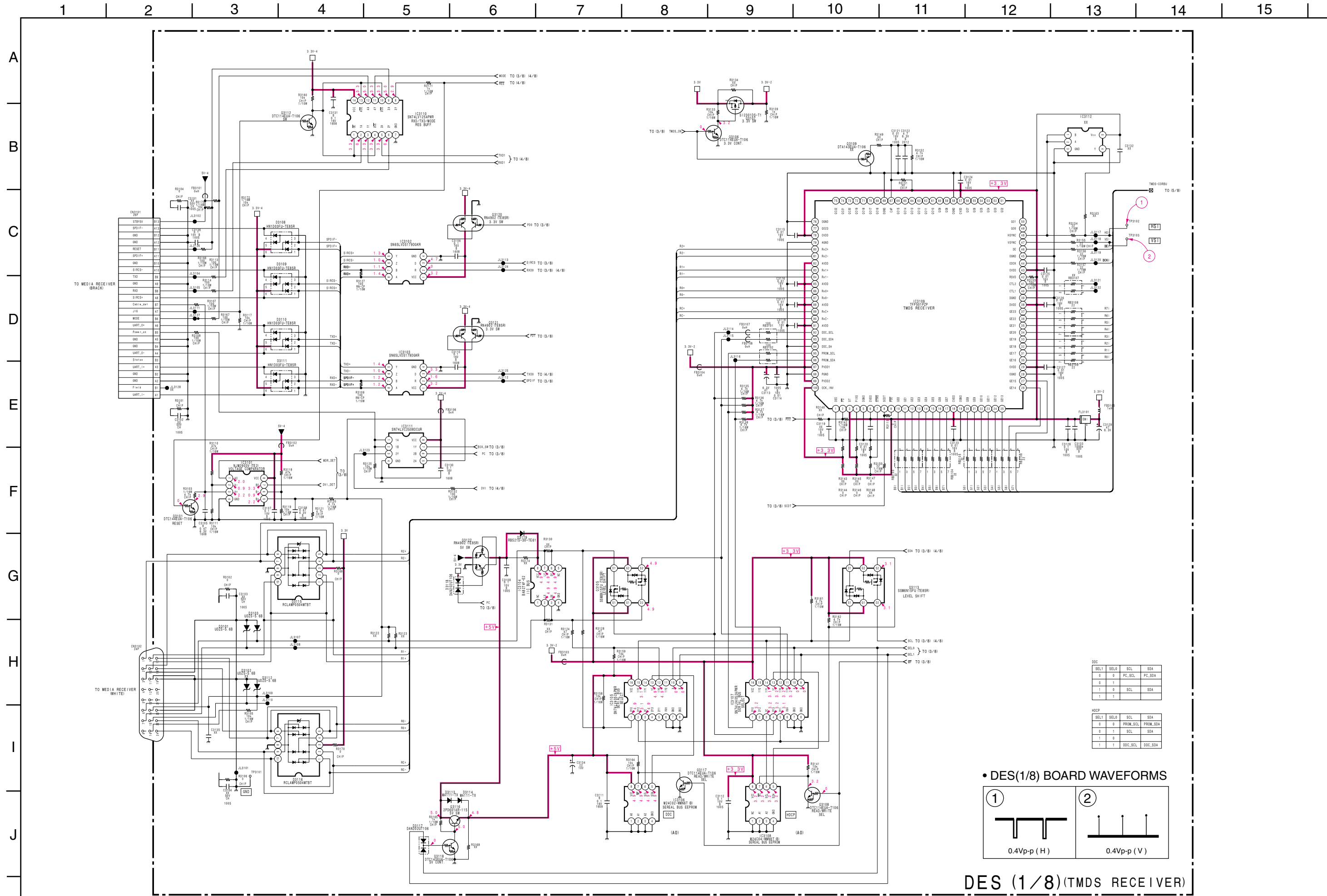
Device	Printed symbol	Terminal name	Circuit
① Transistor		Collector Base Emitter	
② Transistor		Collector Base Emitter	
③ Diode		Cathode Anode	
④ Diode		Cathode Anode (NC)	
⑤ Diode		Cathode Anode (NC)	
⑥ Diode		Common Anode Cathode	
⑦ Diode		Common Anode Cathode	
⑧ Diode		Common Anode Anode	
⑨ Diode		Common Anode Anode	
⑩ Diode		Common Cathode Cathode	
⑪ Diode		Common Cathode Cathode	
⑫ Diode		Anode Anode Cathode Anode	
⑬ Transistor (FET)		Drain Source Gate	
⑭ Transistor (FET)		Drain Source Gate	
⑮ Transistor (FET)		Source Drain Gate	
⑯ Transistor		Emitter Collector Base	
⑰ Transistor		C2/B1/E1 E2/B2/C1	
⑱ Transistor		C1/B2/E2 E1/B1/C2	
⑲ Transistor		C1 B2 E2 E1 B1 C2	
⑳ Transistor		C1 B2 E2 E1 B1 C2	
㉑ Transistor		E2 B1 E1 C2 C1(B2)	
㉒ Transistor		(B2) B1 E1 E2 C1 C2	
㉓ Transistor		(B2) E2 E1 B1 C2 C1	
-	Discrete semiconductor		

(Chip semiconductors that are not actually used are included.)

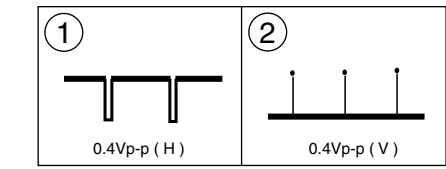
Ver.1.6

3-4-1. DISPLAY UNIT (LDM-3210/4210)

(1) Schematic Diagrams of DES Board



• DES(1/8) BOARD WAVEFORMS

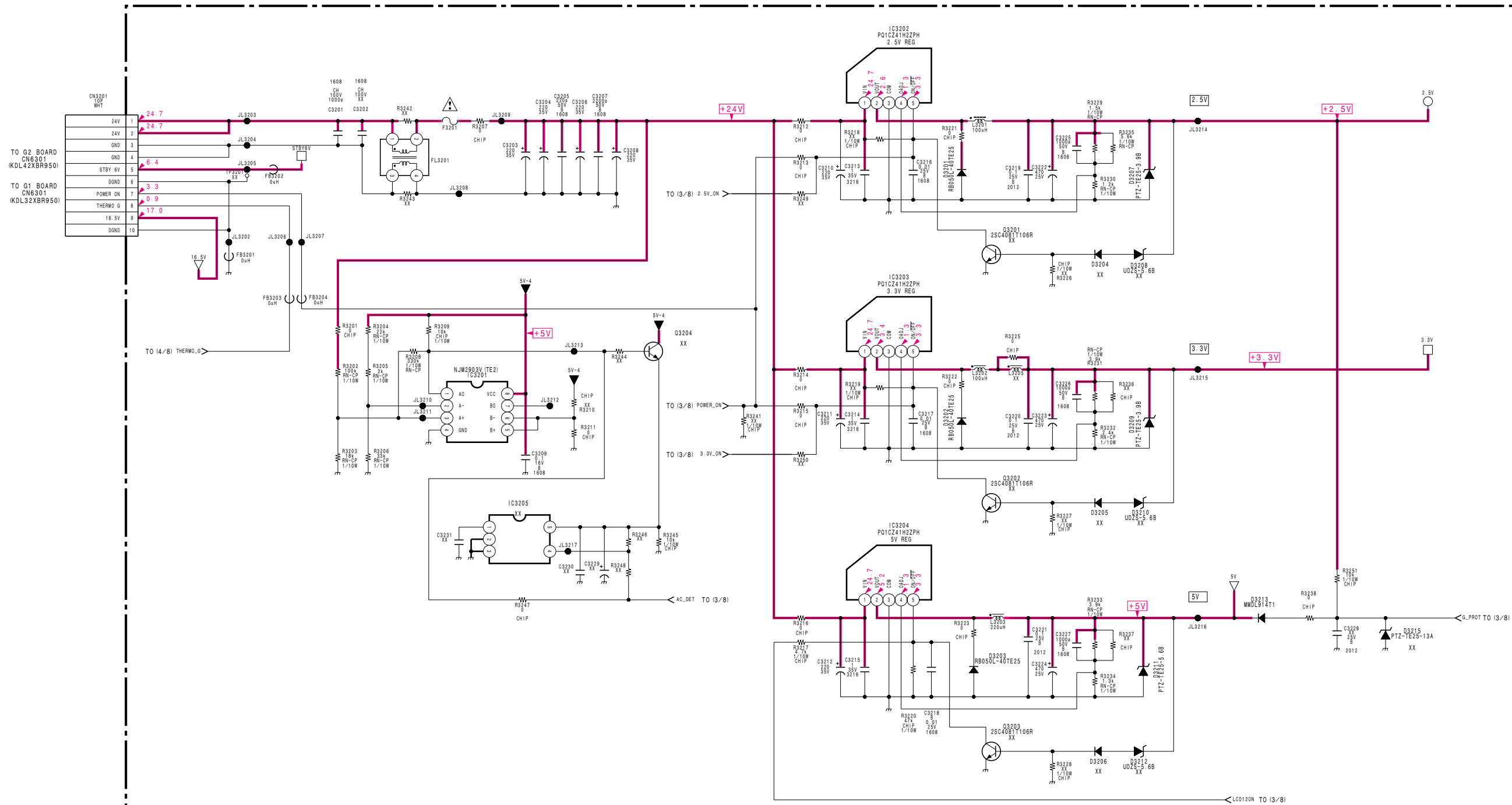


DES (1/8) (TMDS RECEIVER)

8-5511899CJ - 3-DES-PT

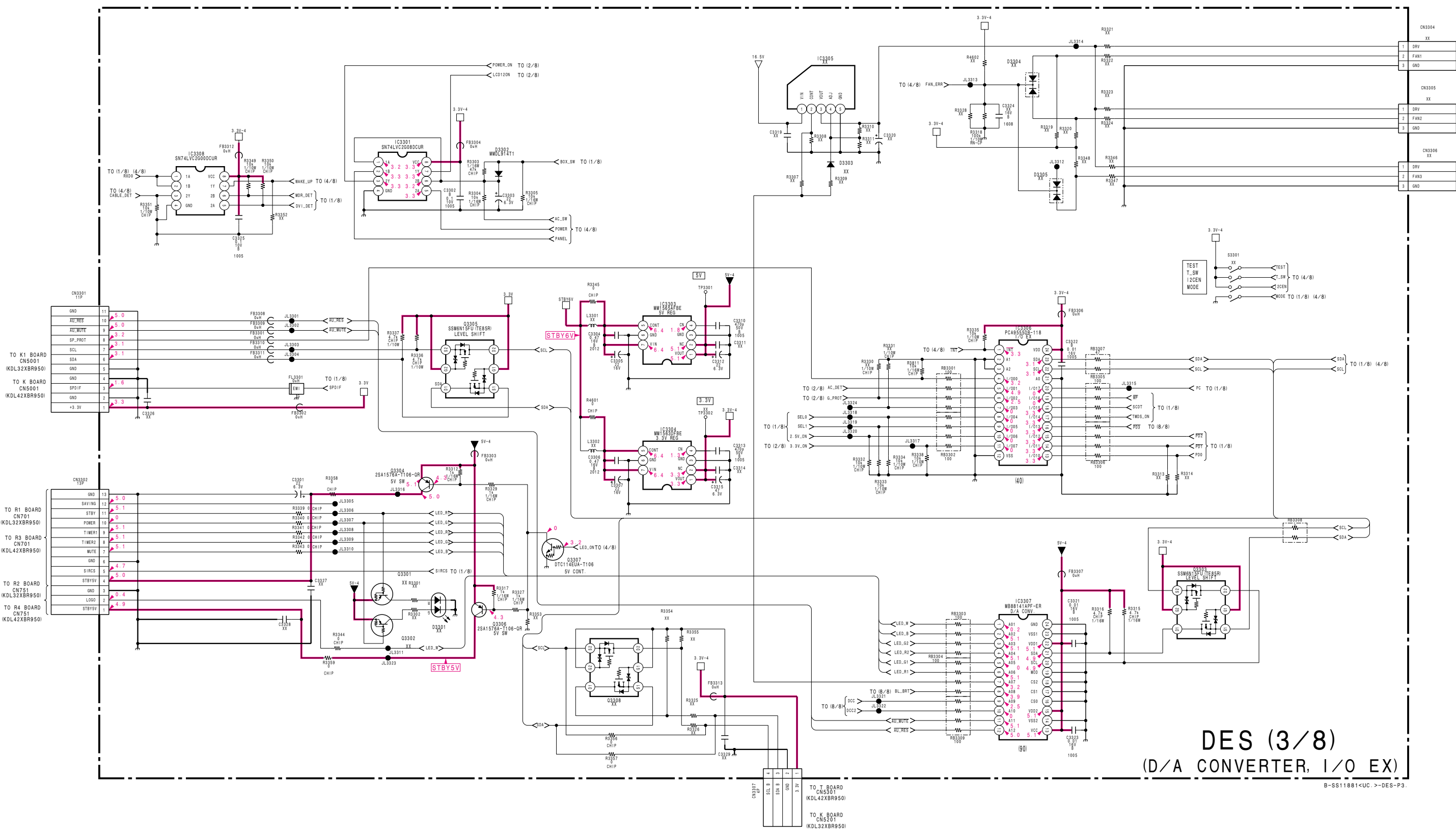
1 2 3 4 5 6 7 8 9 10 11 12 13 14 15

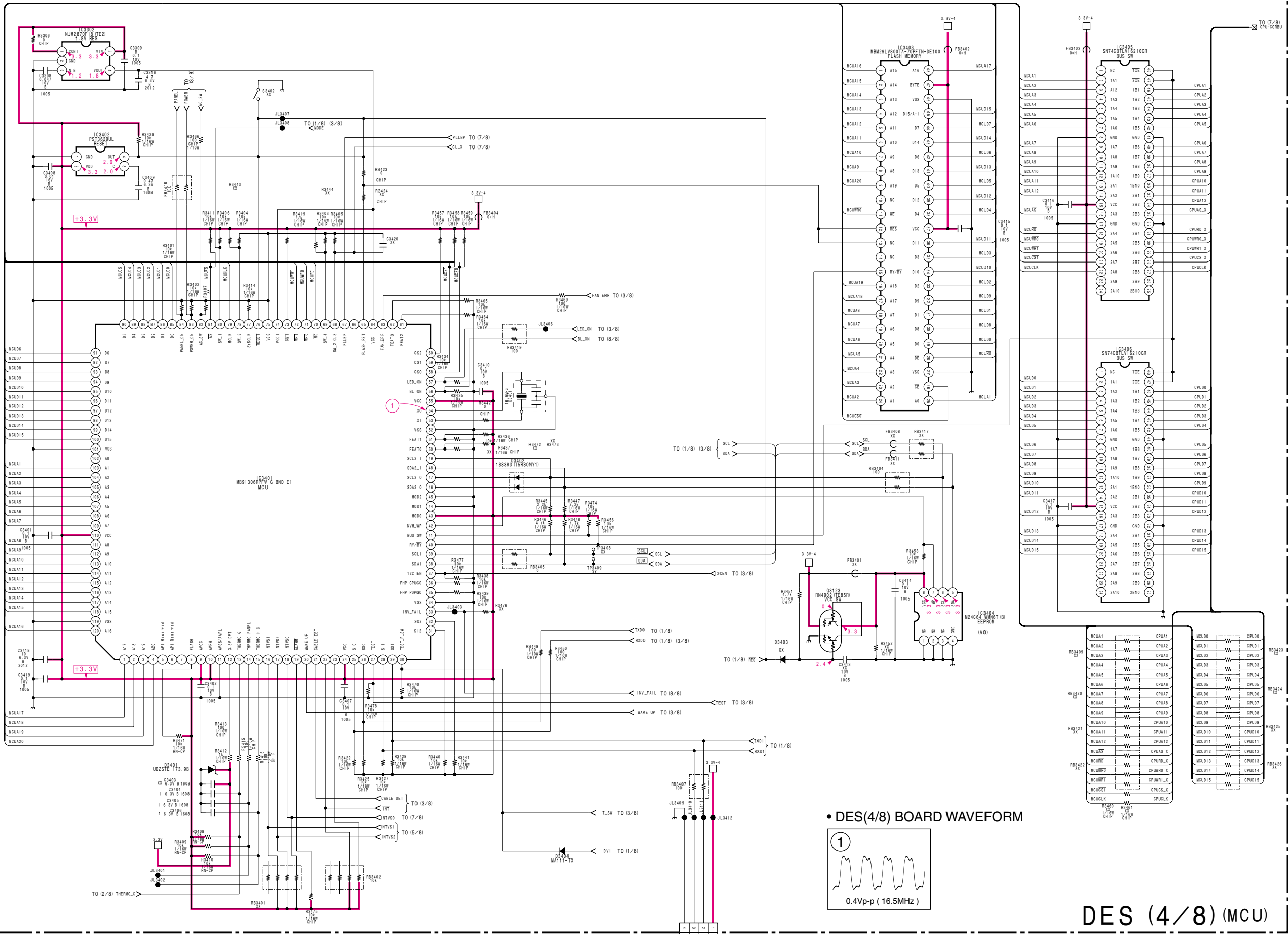
A
B
C
D
E
F
G
H
I
J
K



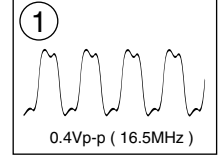
DES (2/8) (POWER SUPPLY)

B-SS11881<UC.>-DES-P2.



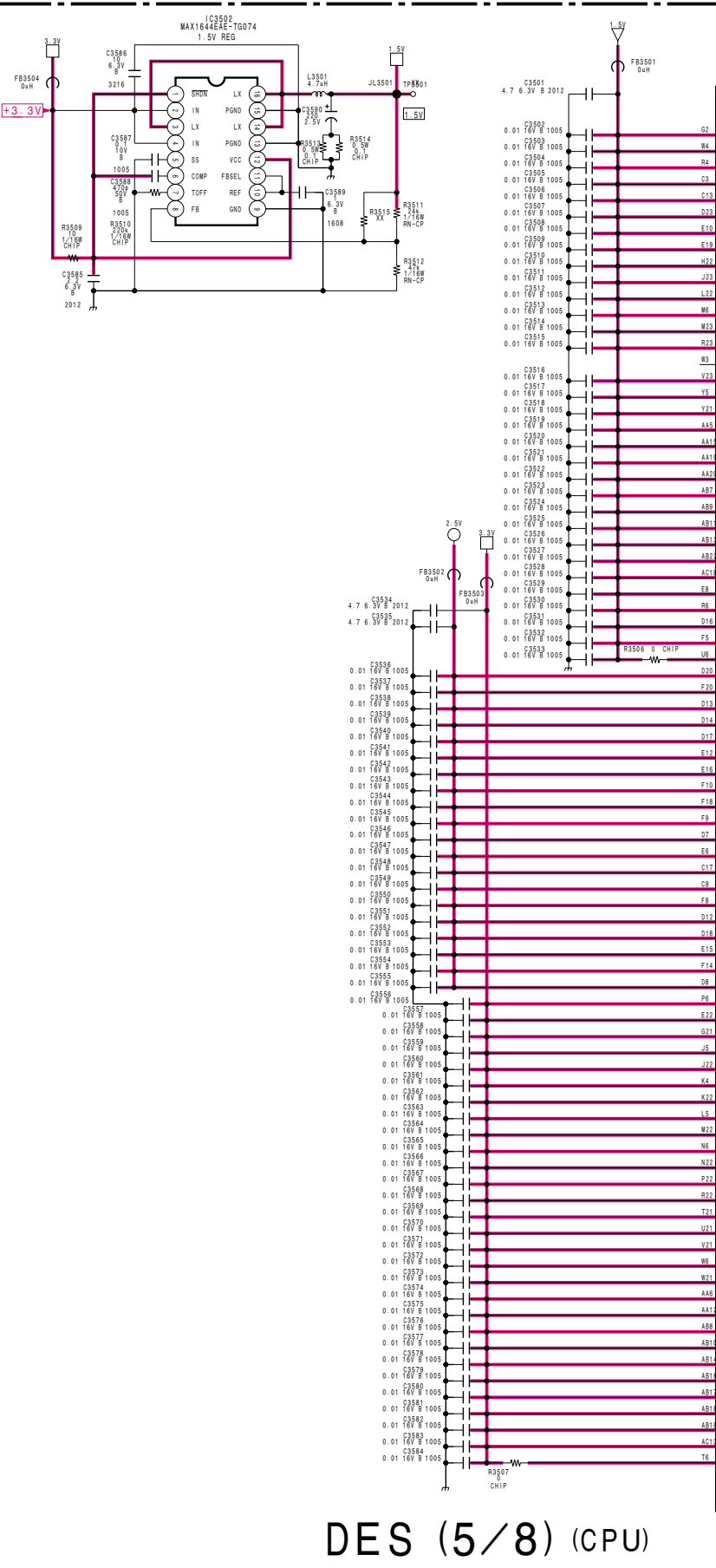
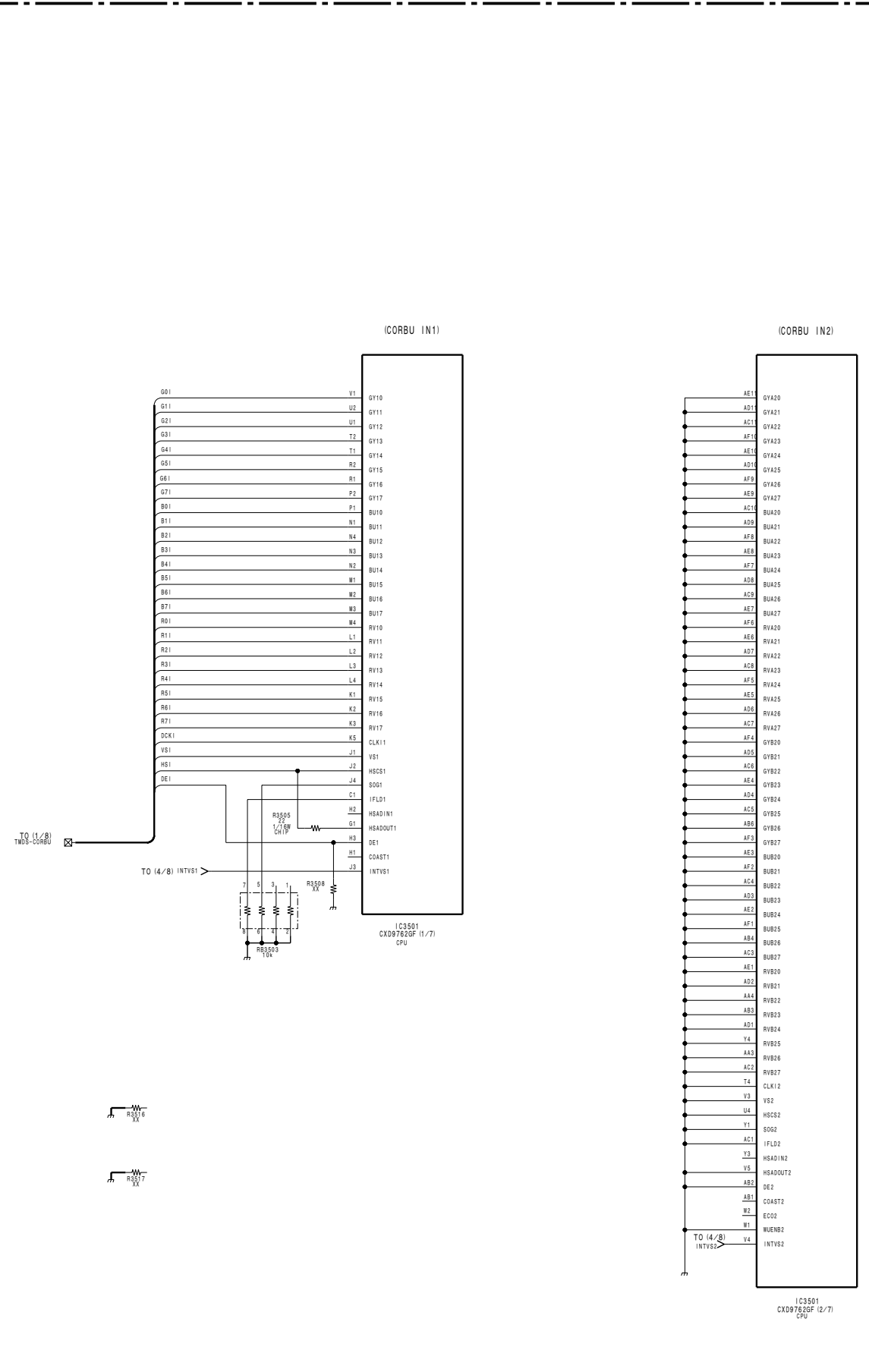


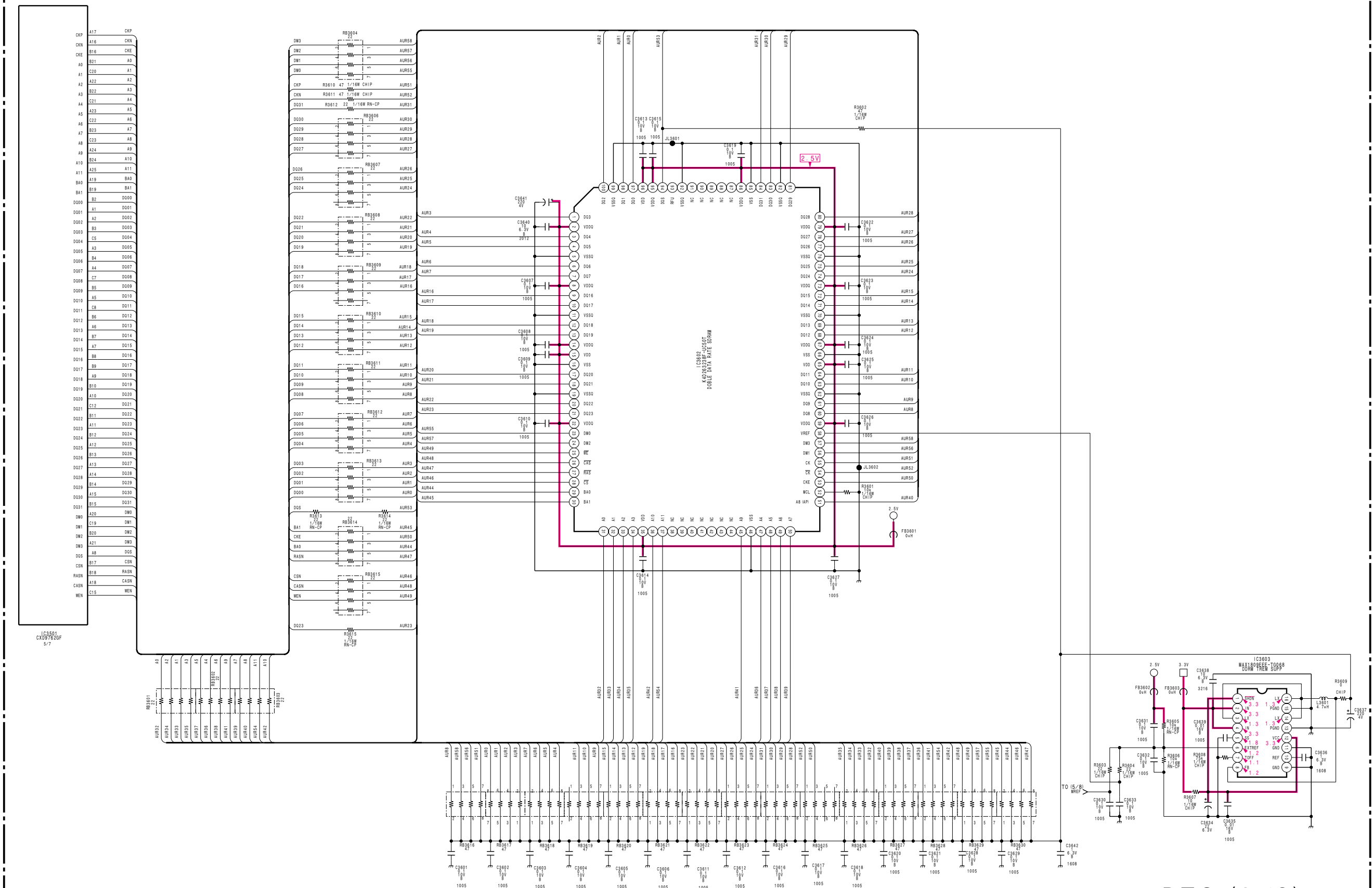
• DES(4/8) BOARD WAVEFORM



DES (4/8) (MCU)

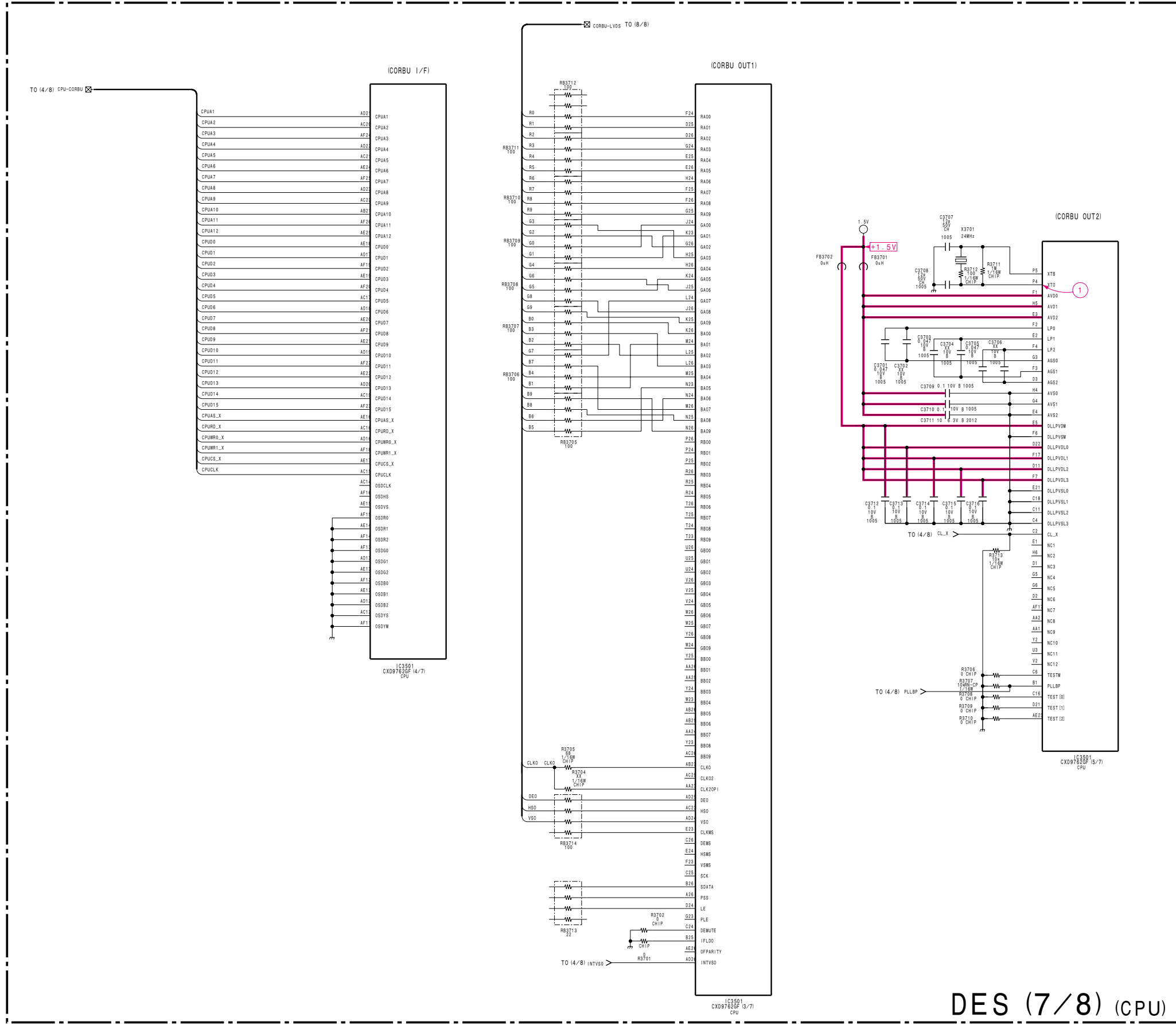
B-SS11899<J>.J-DES-P4.





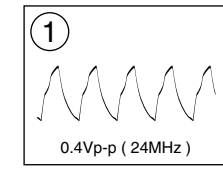
DES (6/8) (RAM)

B-SS11899<J...>-DES-P6.

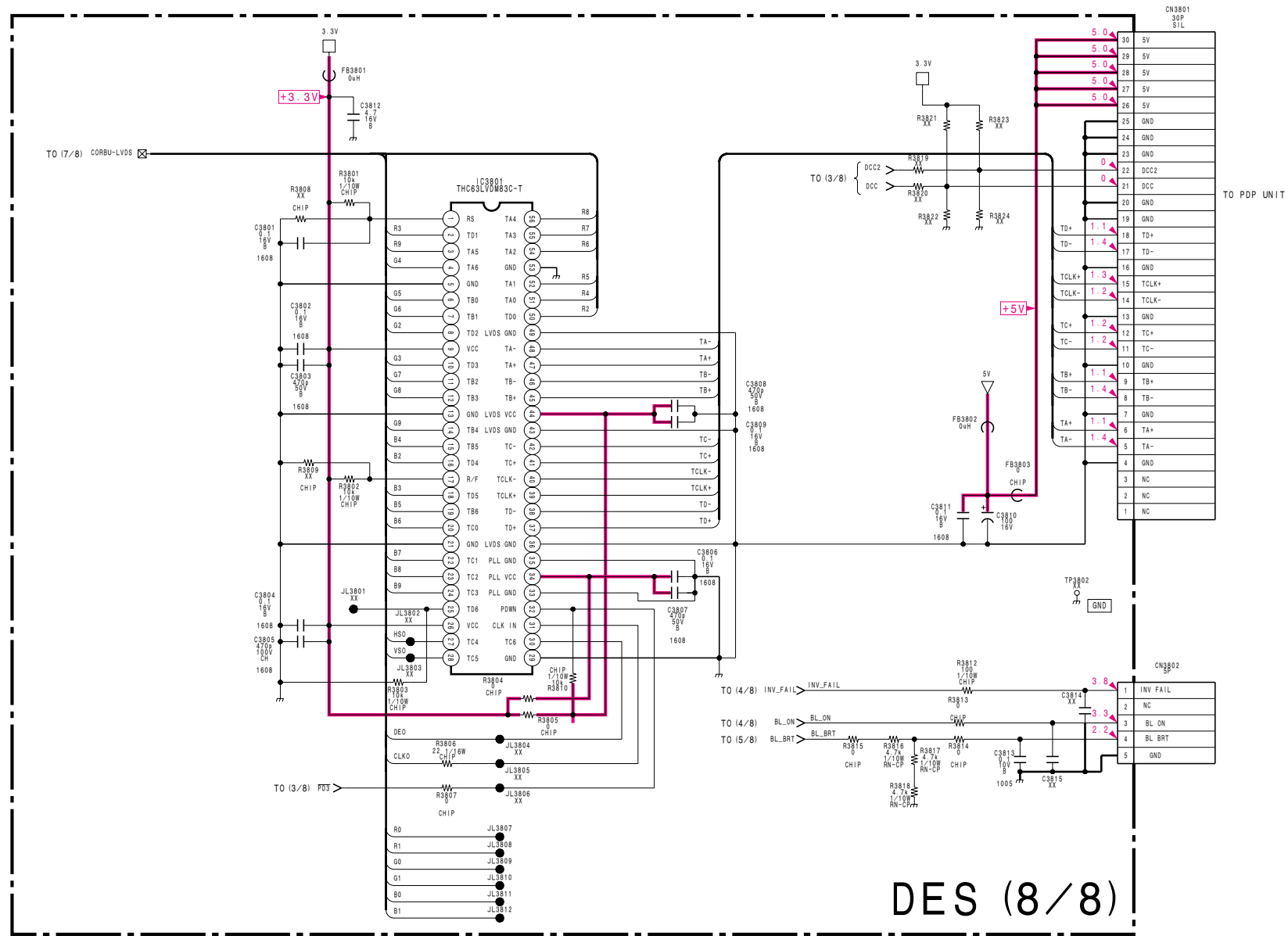


DES (7/8) (CPU)

• DES(7/8) BOARD WAVEFORM



B-5511899<J>...->DES-P7.



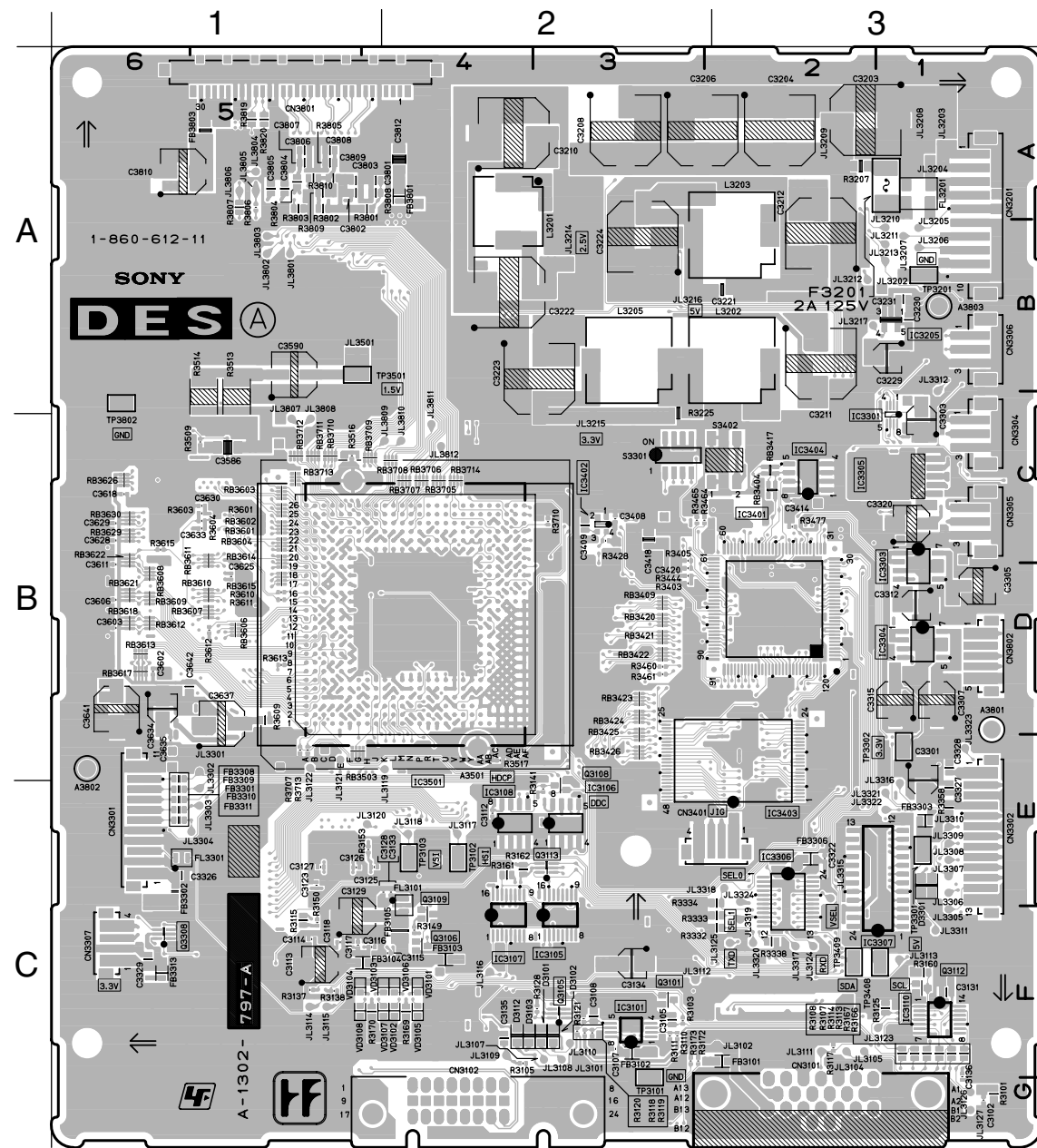
DES (8/8)

B-SS11899<J...>-DES-P8.

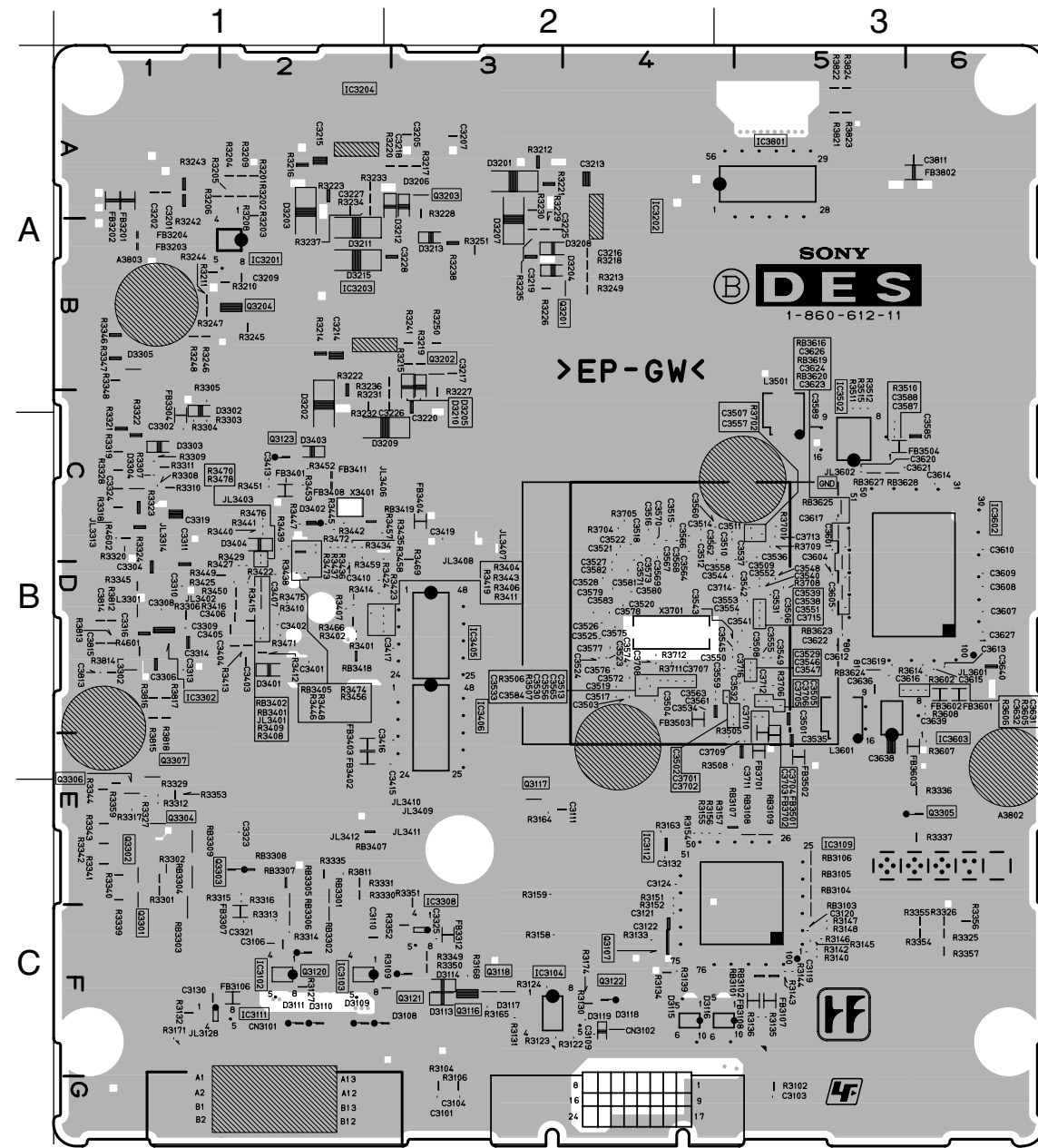
DES

[TMS RECEIVER, POWER SUPPLY, D/A CONVERTER, I/O EX, MCU, CPU, RAM]

— DES BOARD —

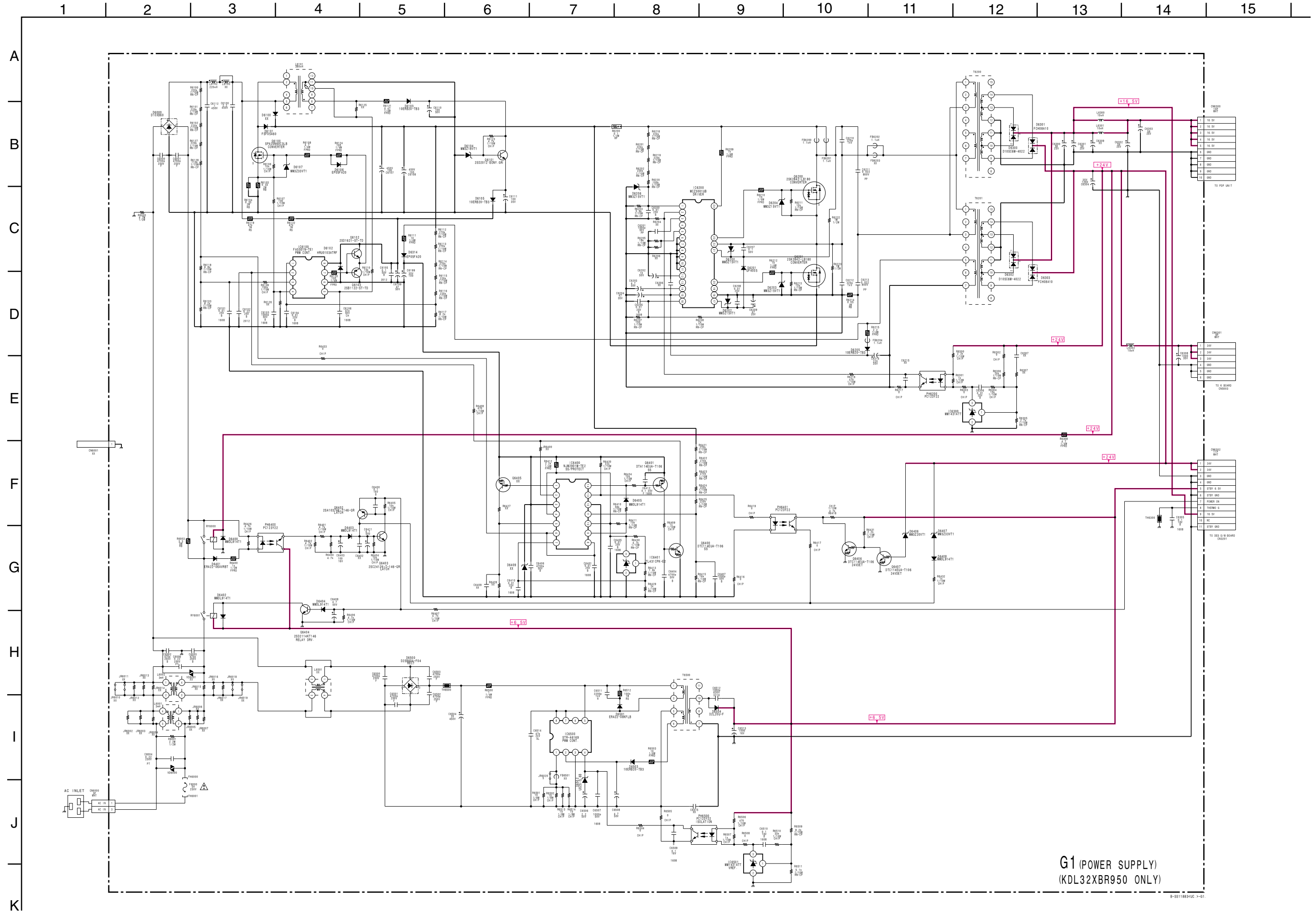


<COMPONENT SIDE>

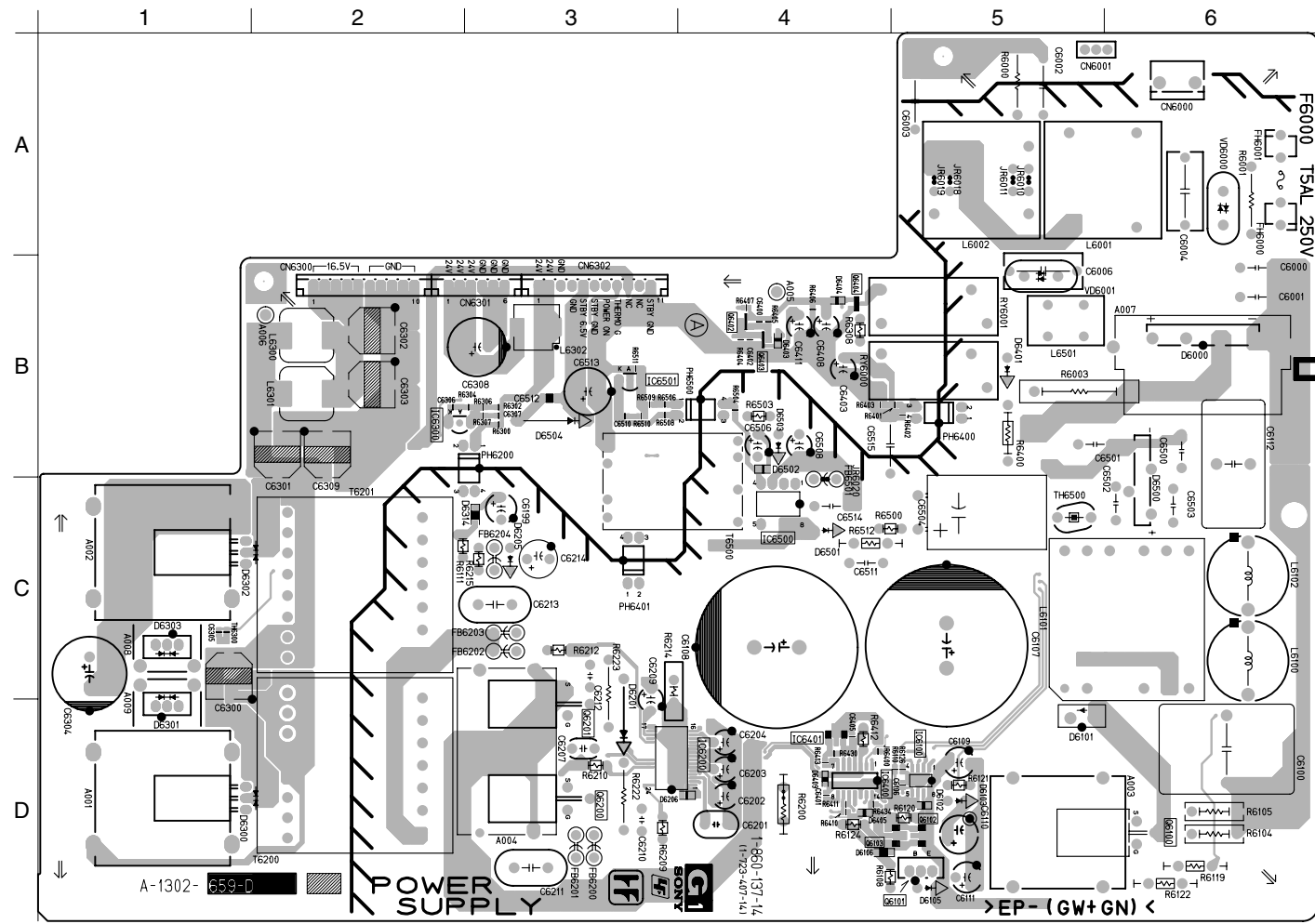


<CONDUCTOR SIDE>

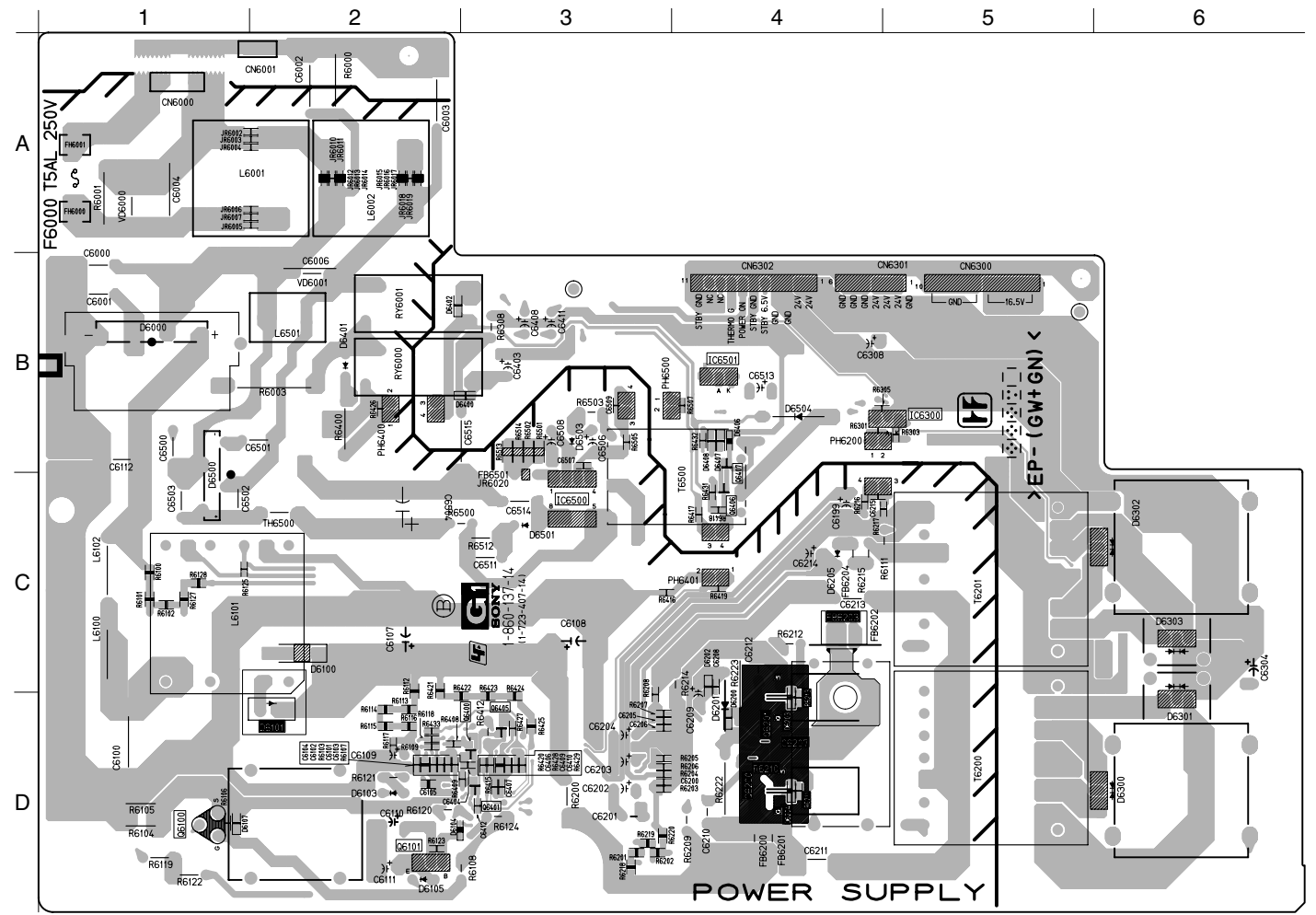
(2) Schematic Diagram of G1 Board (LDM-3210)



— G1 BOARD —

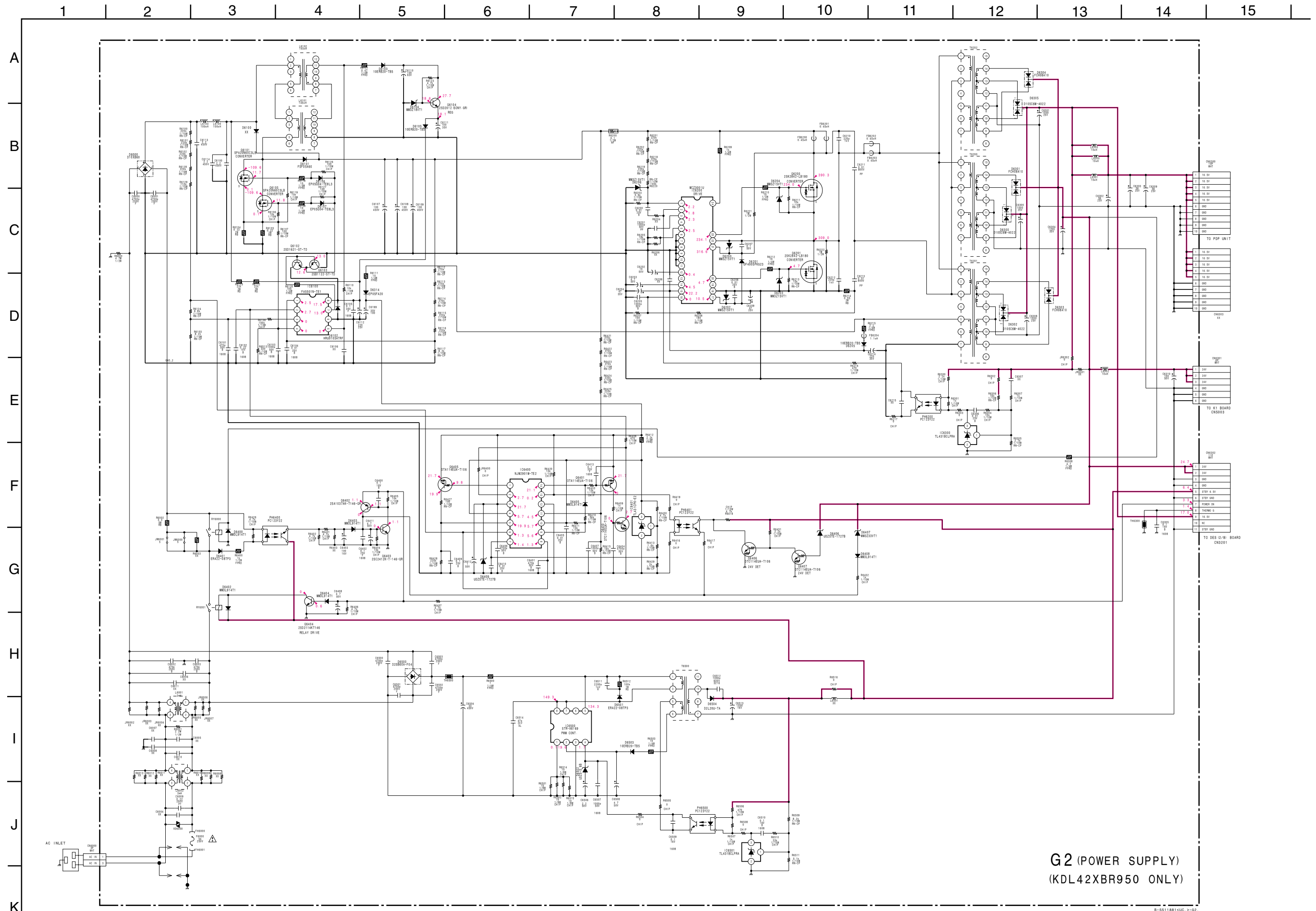


<COMPONENT SIDE>



<CONDUCTOR SIDE>

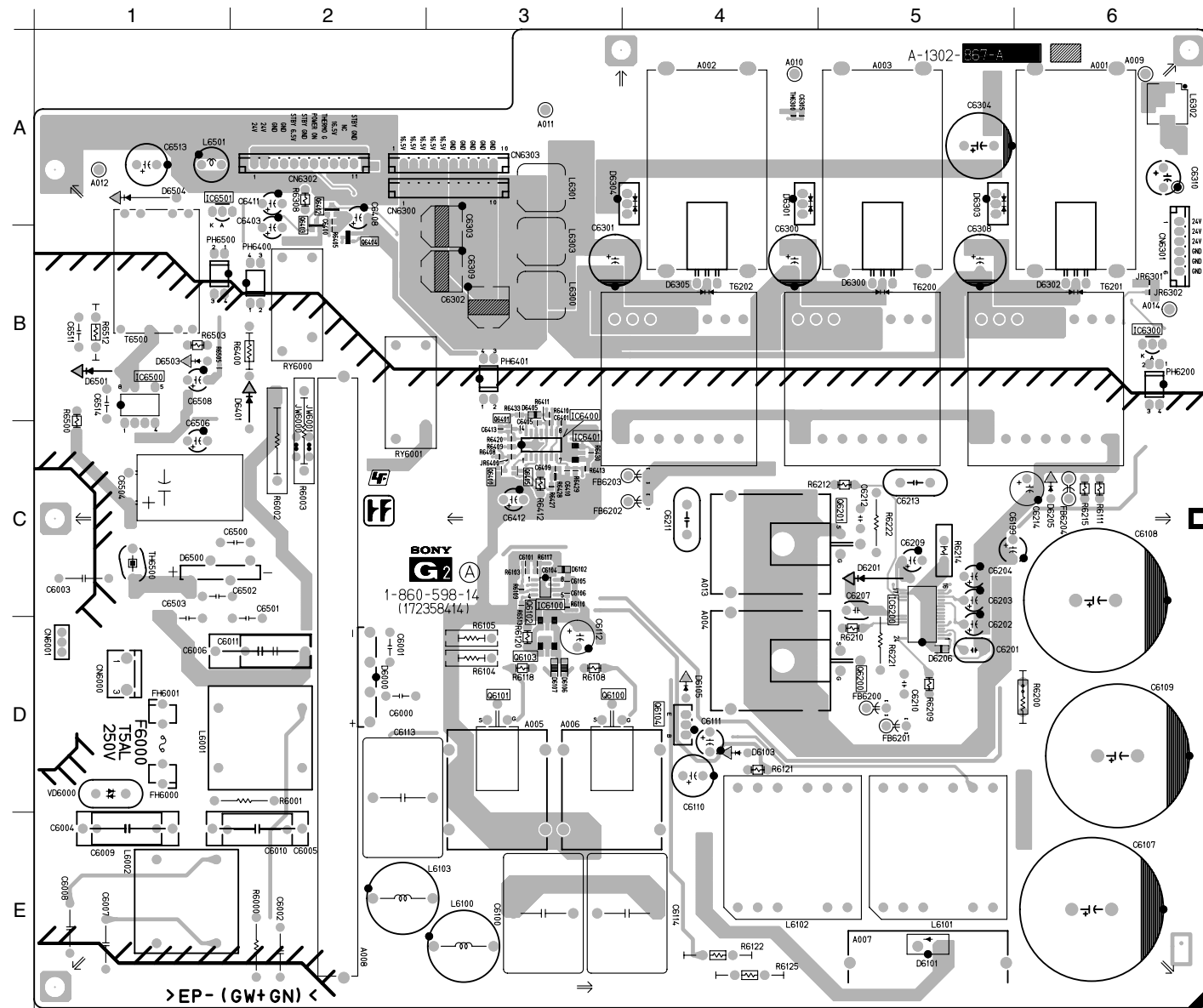
(3) Schematic Diagram of G2 Board (LDM-4210)



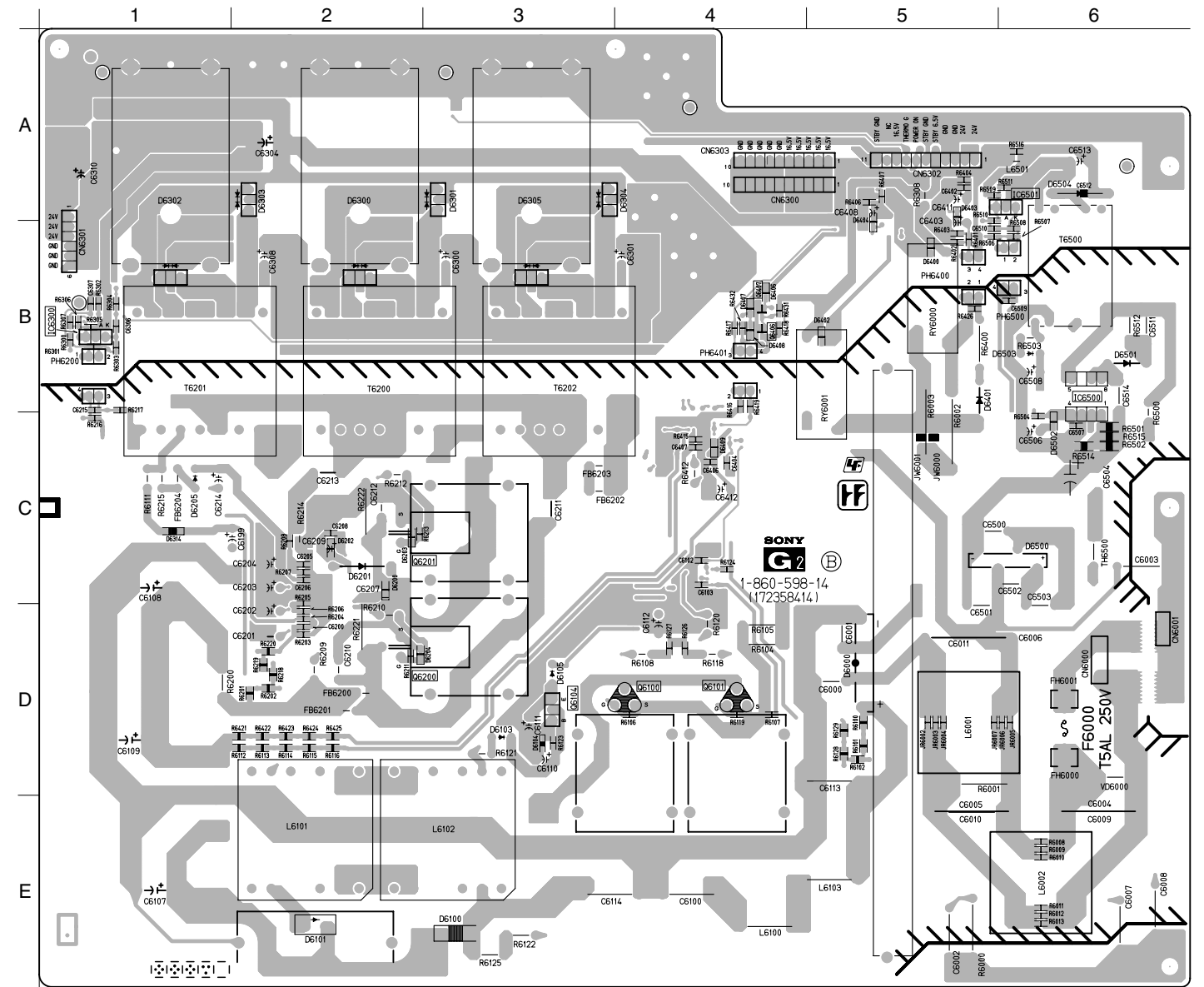
G2 (POWER SUPPLY)
(KDL42XBR950 ONLY)

9-0511881-UC-3-02

— G2 BOARD —

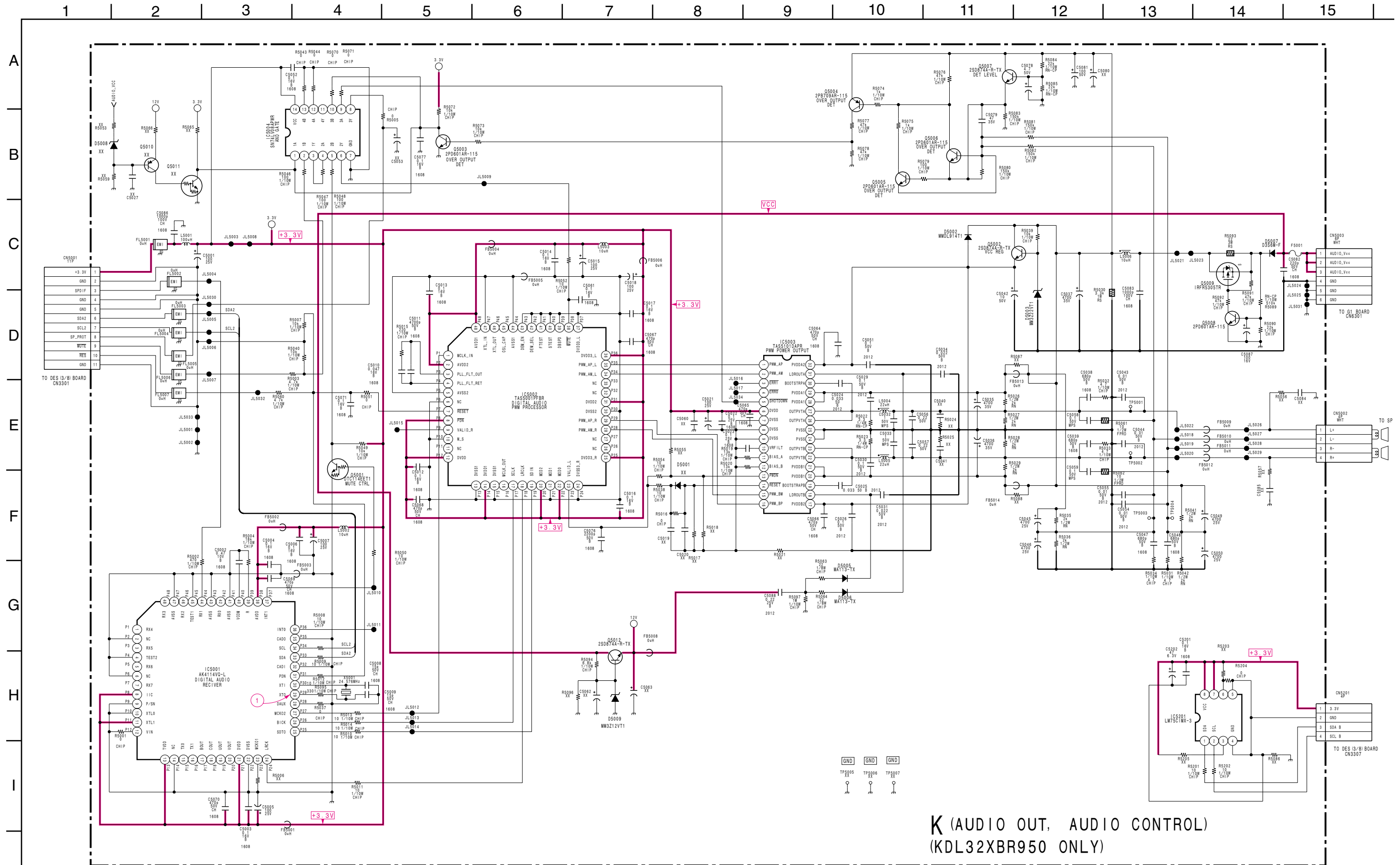


<COMPONENT SIDE>



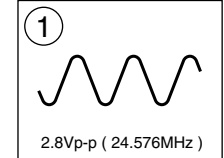
<CONDUCTOR SIDE>

(4) Schematic Diagram of K Board (LDM-3210)



K (AUDIO OUT, AUDIO CONTROL)
(KDL32XBR950 ONLY)

• K BOARD WAVEFORM

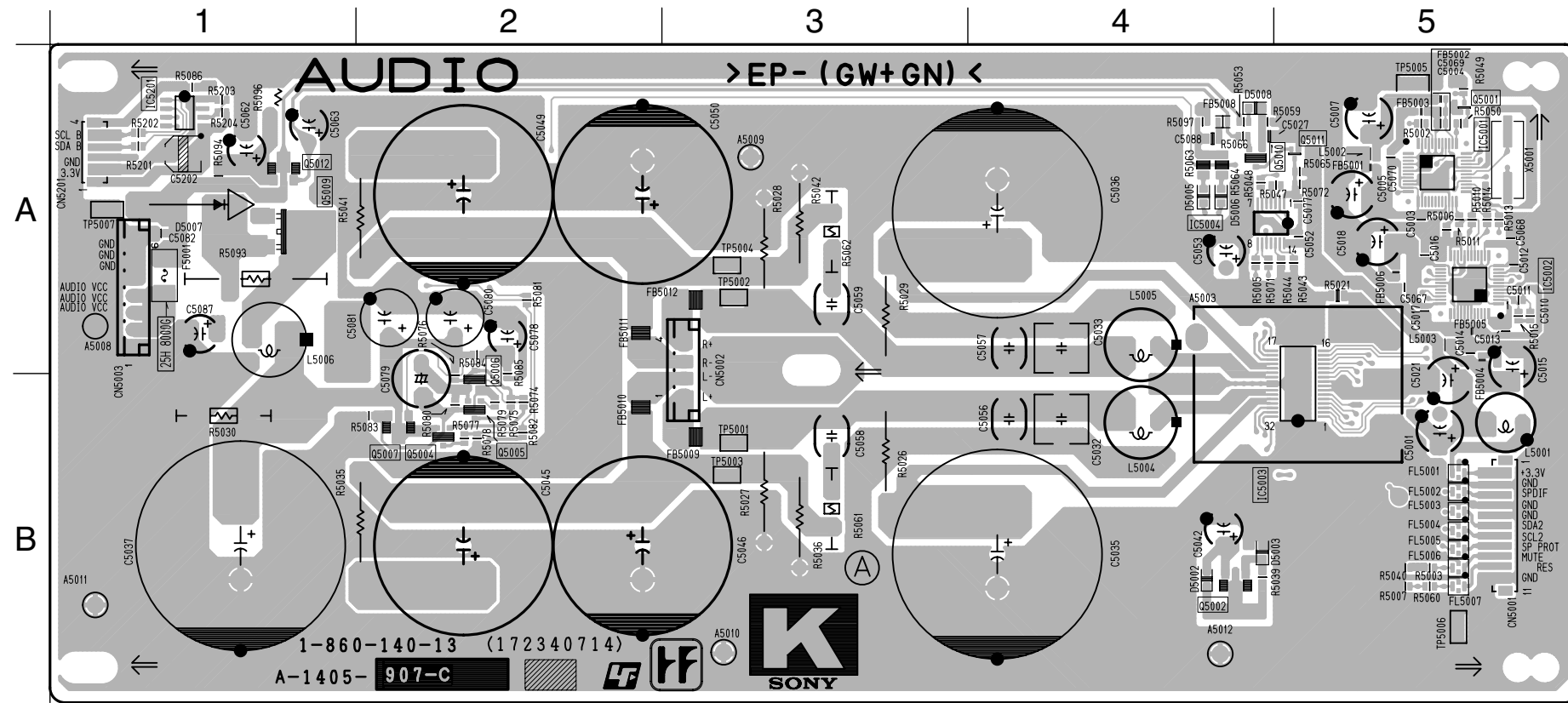


B-5511883<UC> >K-

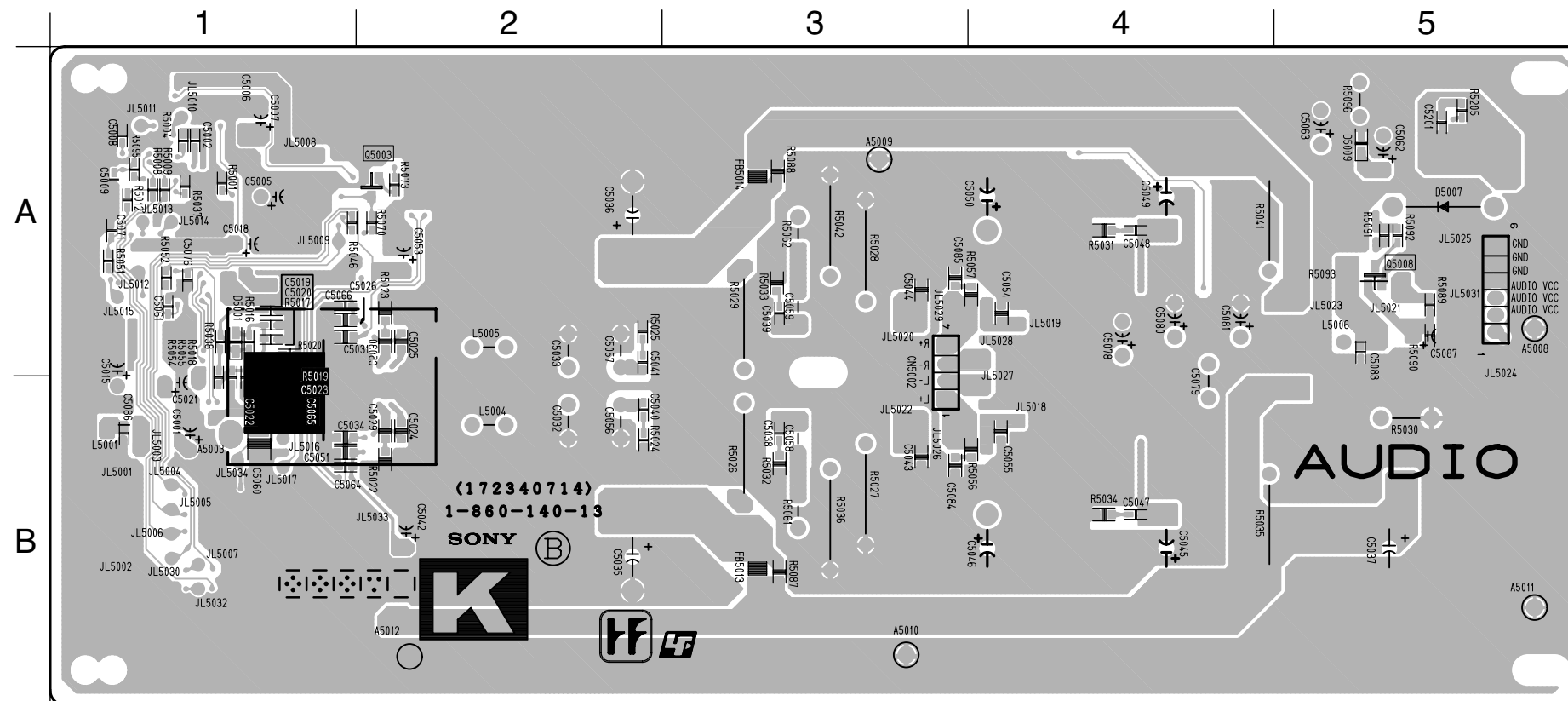
K

[AUDIO OUT, AUDIO CONTROL]

— K BOARD —

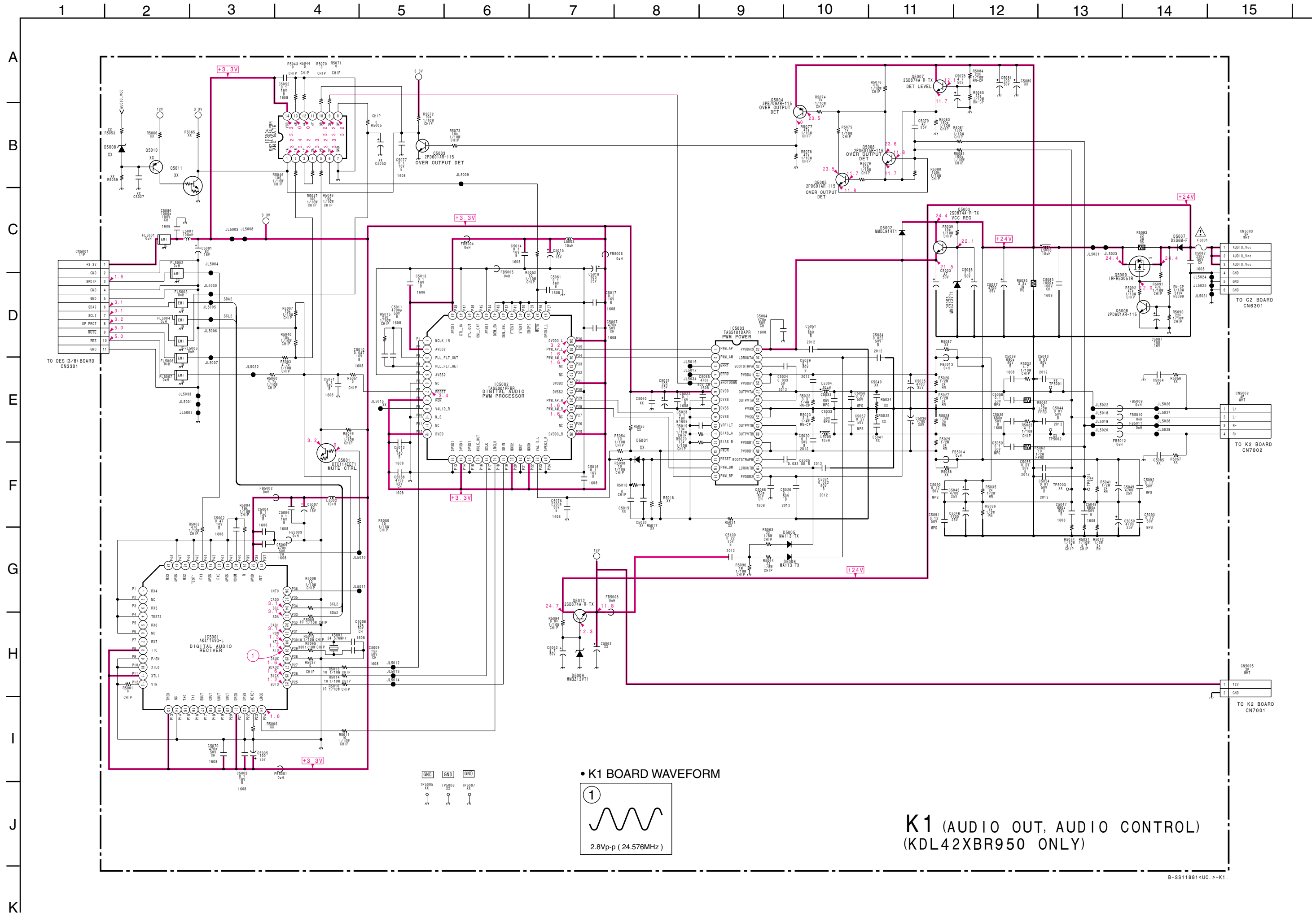


<COMPONENT SIDE>



<CONDUCTOR SIDE>

(5) Schematic Diagram of K1 Board (LDM-4210)

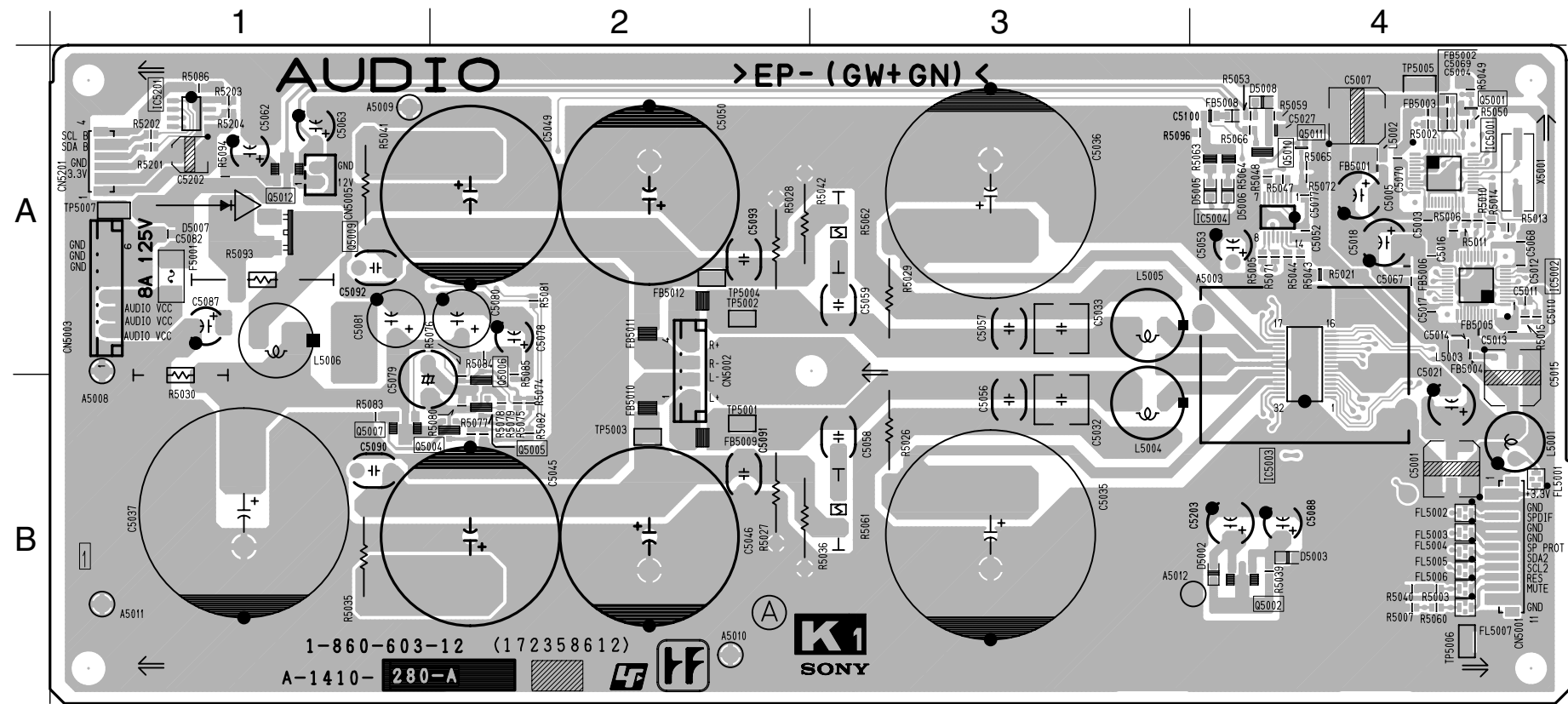


B-SS11881<UC> >-K1

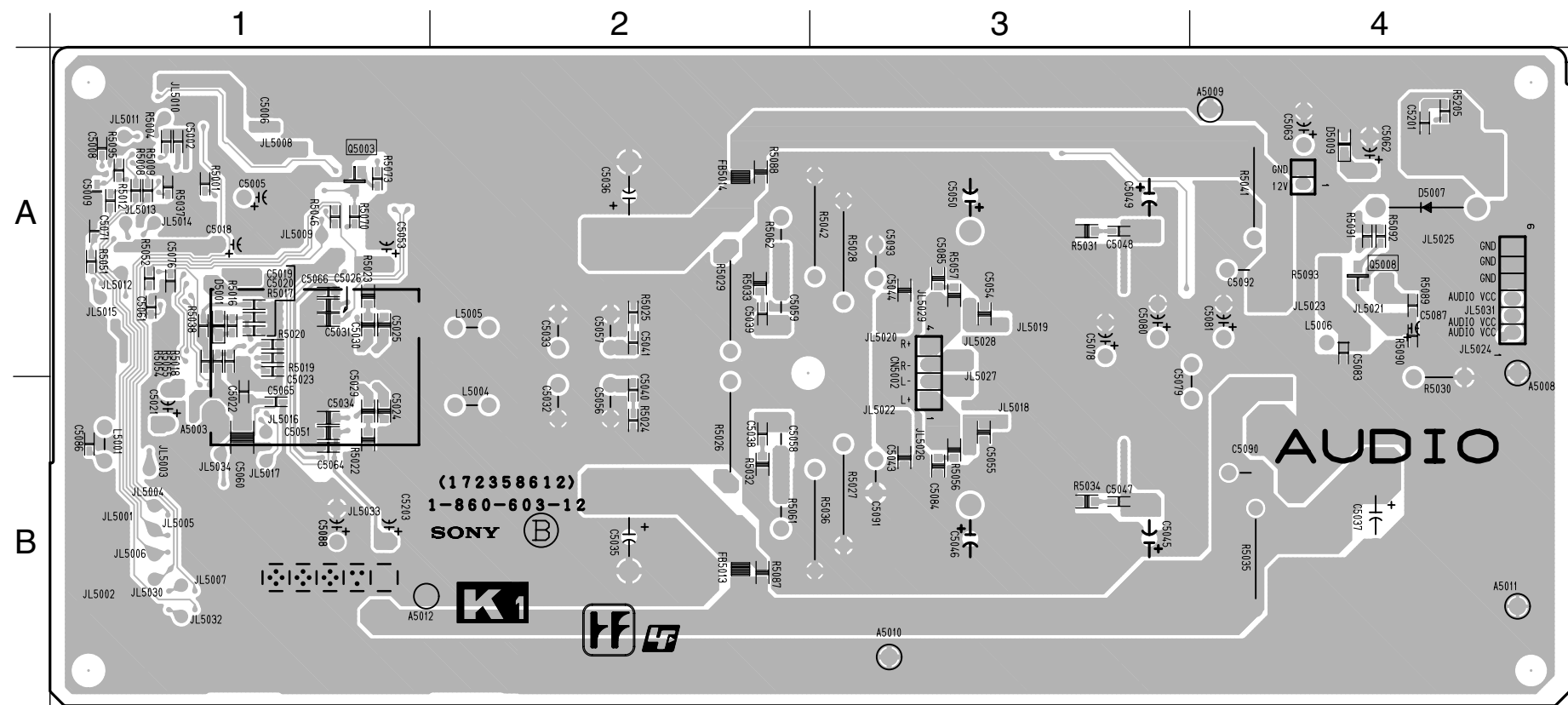
K1

[AUDIO OUT, AUDIO CONTROL]

— K1 BOARD —

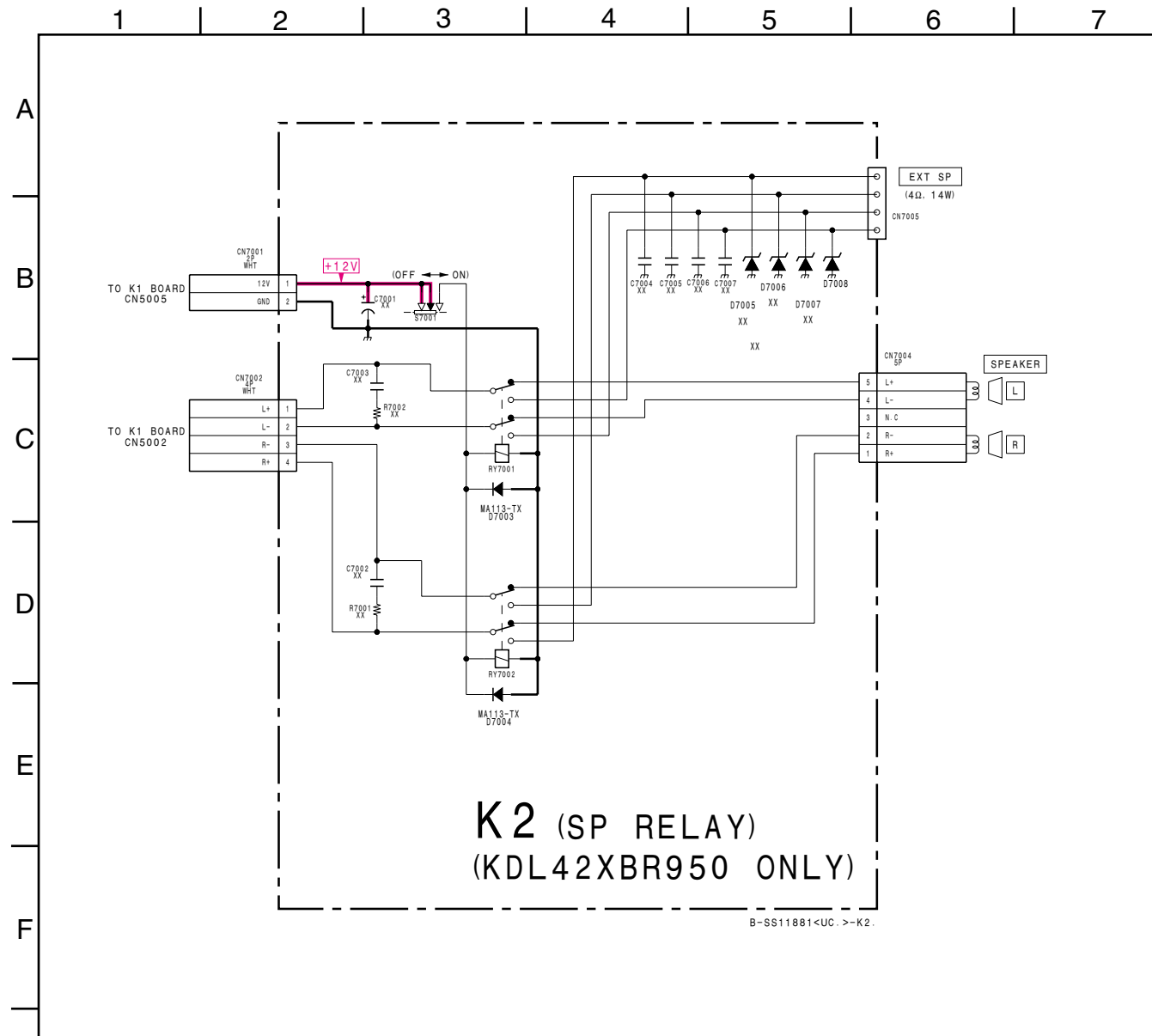


<COMPONENT SIDE>

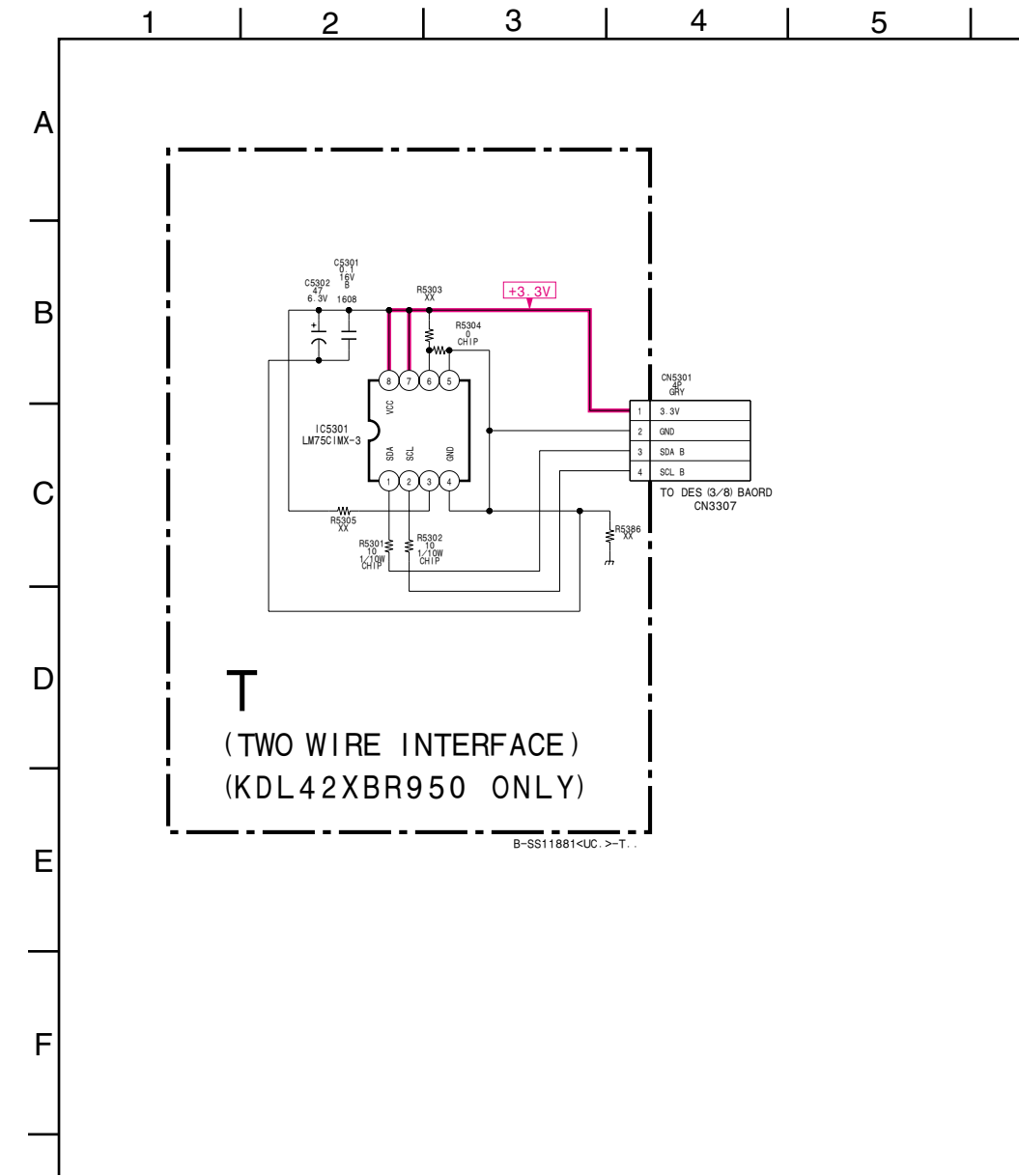


<CONDUCTOR SIDE>

(6) Schematic Diagram of K2 Board (LDM-4210)

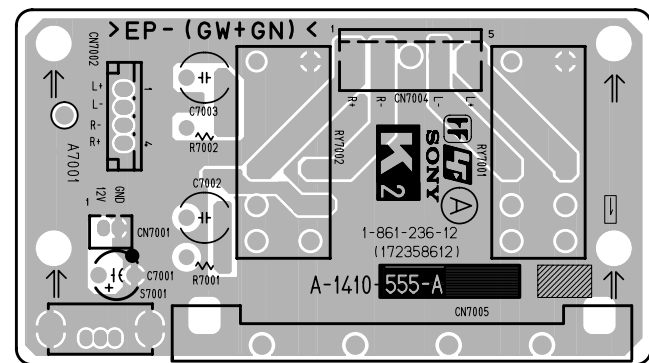


(7) Schematic Diagram of T Board (LDM-4210)

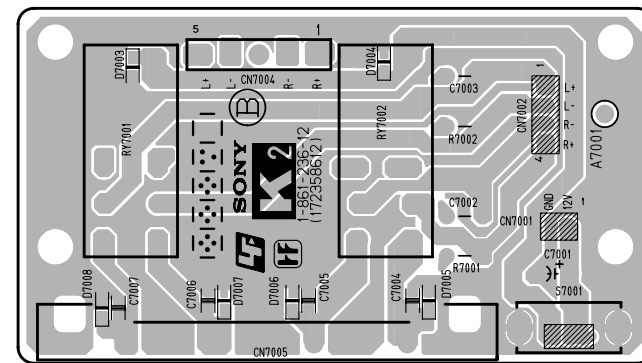


K2 [SP RELAY]

— K2 BOARD —



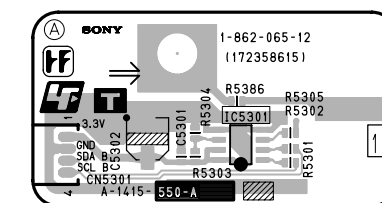
<COMPONENT SIDE>



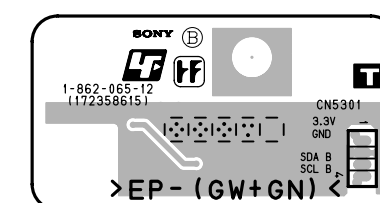
<CONDUCTOR SIDE>

T [TWO WIRE INTERFACE]

— T BOARD —

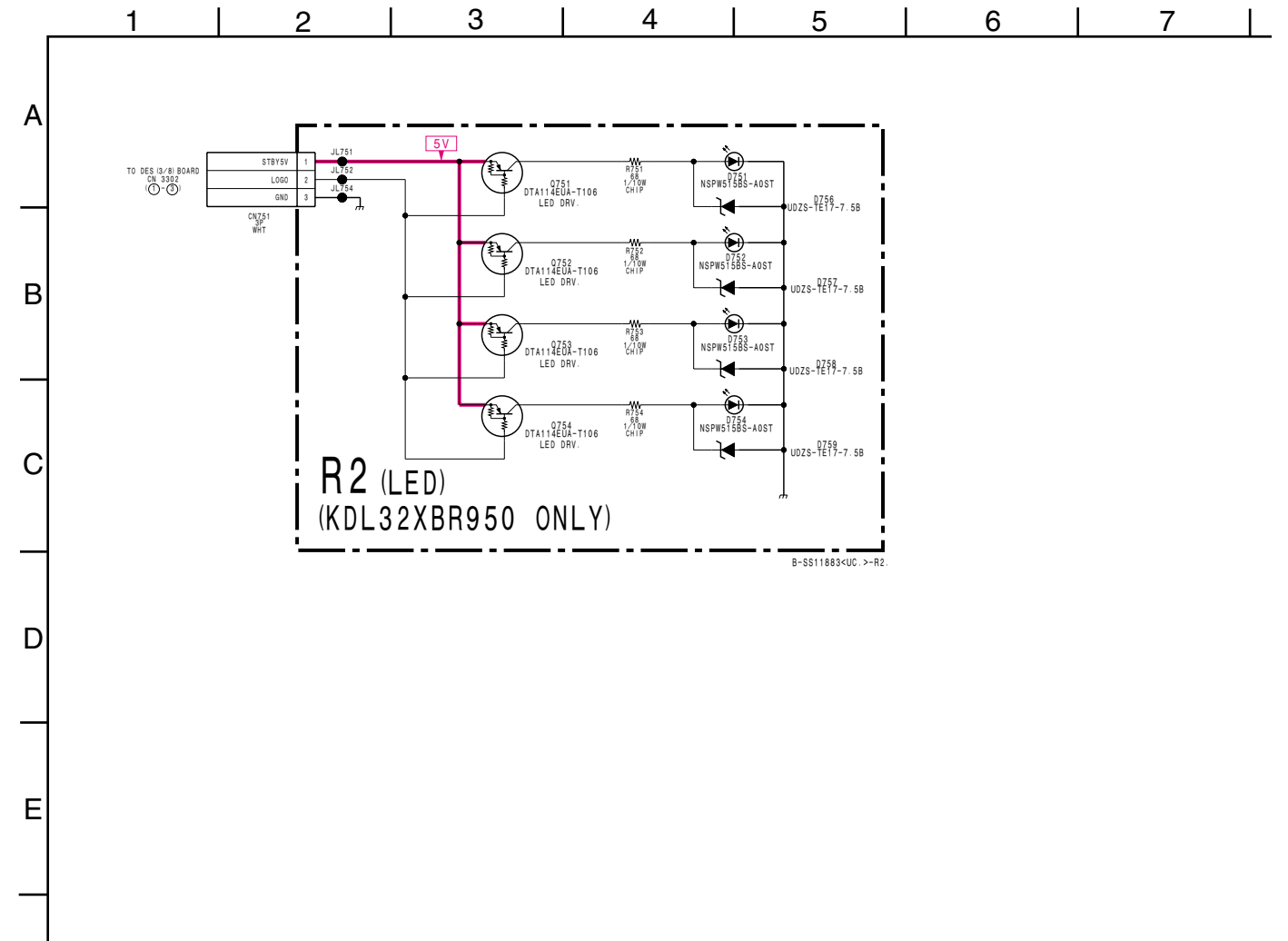
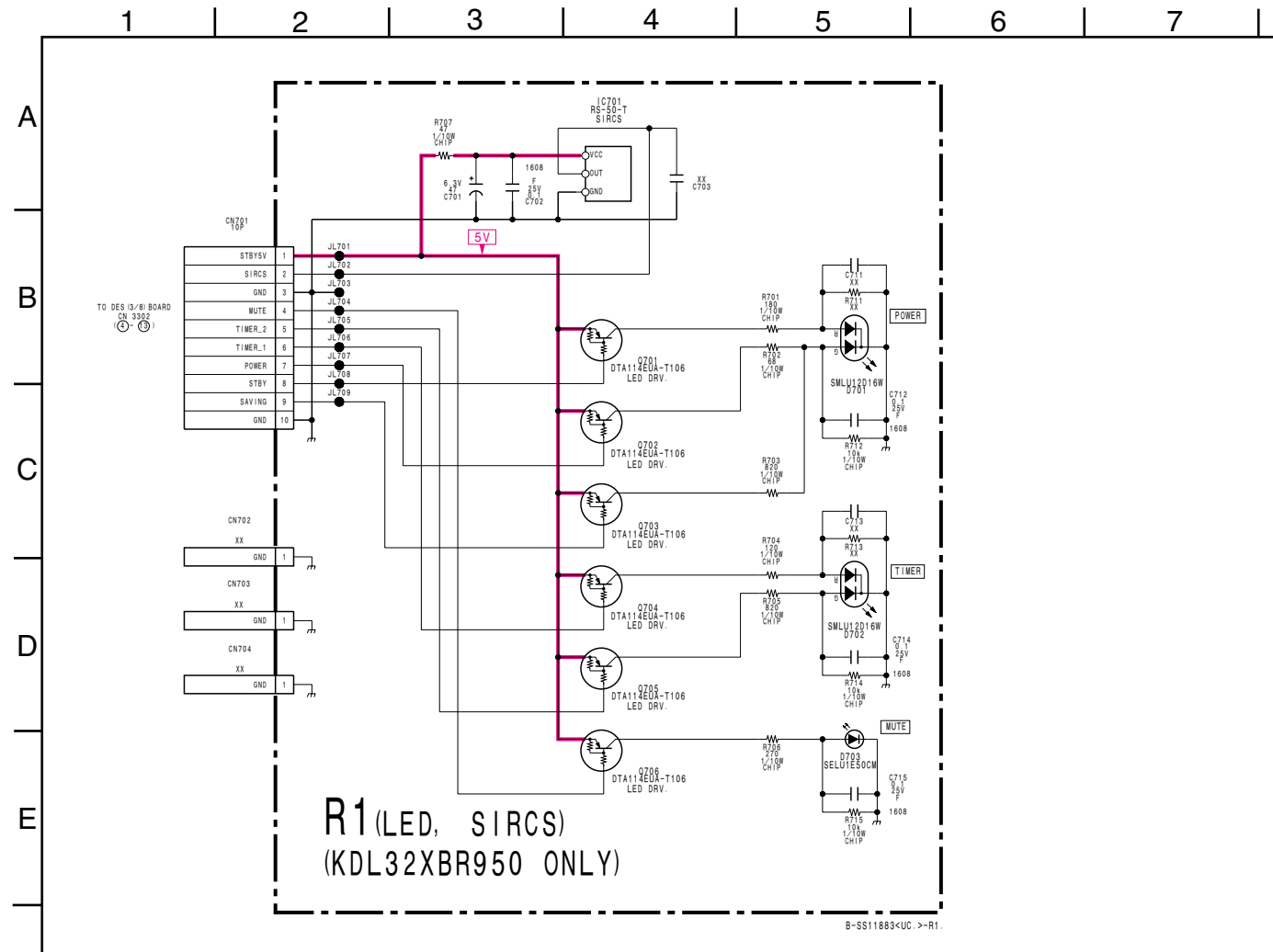


<COMPONENT SIDE>



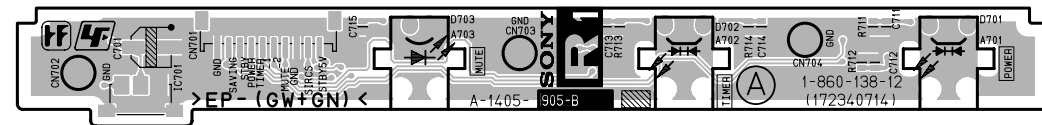
<CONDUCTOR SIDE>

(8) Schematic Diagram of R1 and R2 Boards (LDM-3210)

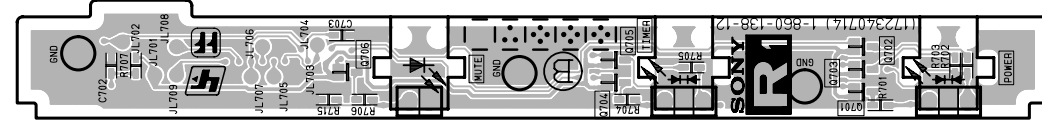


R1 [LED, SIRCS]

— R1 BOARD —



<COMPONENT SIDE>



<CONDUCTOR SIDE>

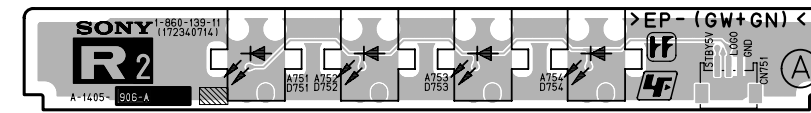
• R1 BOARD SEMICONDUCTOR LOCATION

Ref.	*
Q701-Q706	①
D701, D702, D703	-

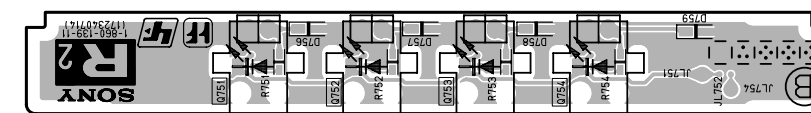
*: Refer to Terminal name of semiconductors in silk screen printed circuit (see page 3-13)

R2 [LED]

— R2 BOARD —



<COMPONENT SIDE>



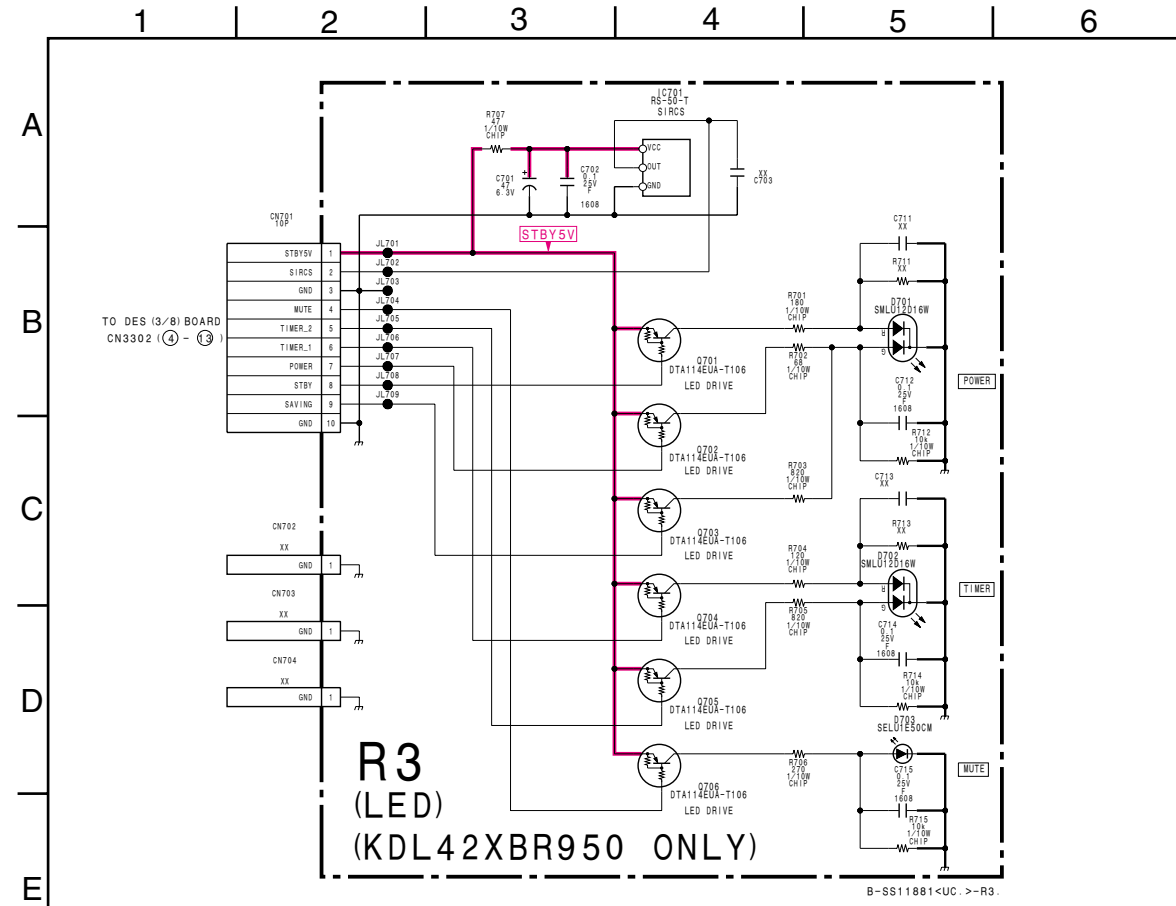
<CONDUCTOR SIDE>

• R2 BOARD SEMICONDUCTOR LOCATION

Ref.	*
Q751-Q754	①
D751-D754	-
D756-D759	③

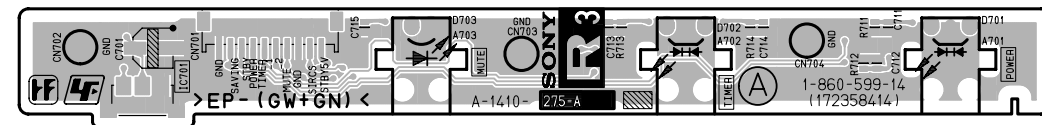
*: Refer to Terminal name of semiconductors in silk screen printed circuit (see page 3-13)

(9) Schematic Diagram of R3 and R4 Boards (LDM-4210)

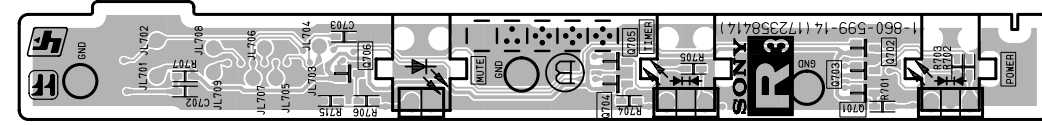


R3 [LED]

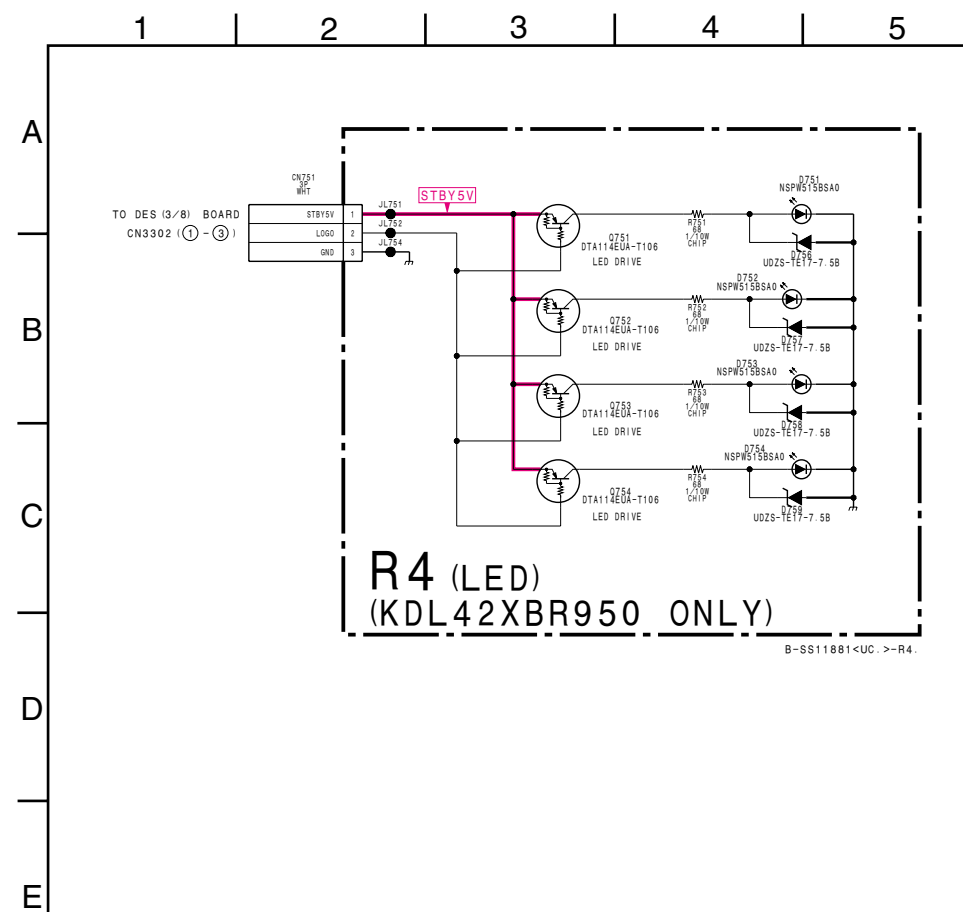
— R3 BOARD —



<COMPONENT SIDE>

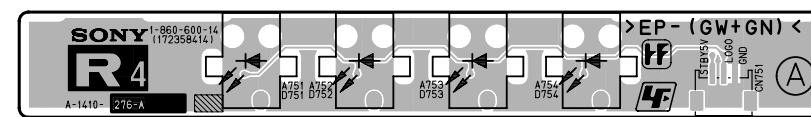


<CONDUCTOR SIDE>

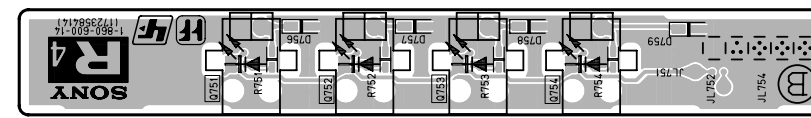


R4 [LED]

— R4 BOARD —



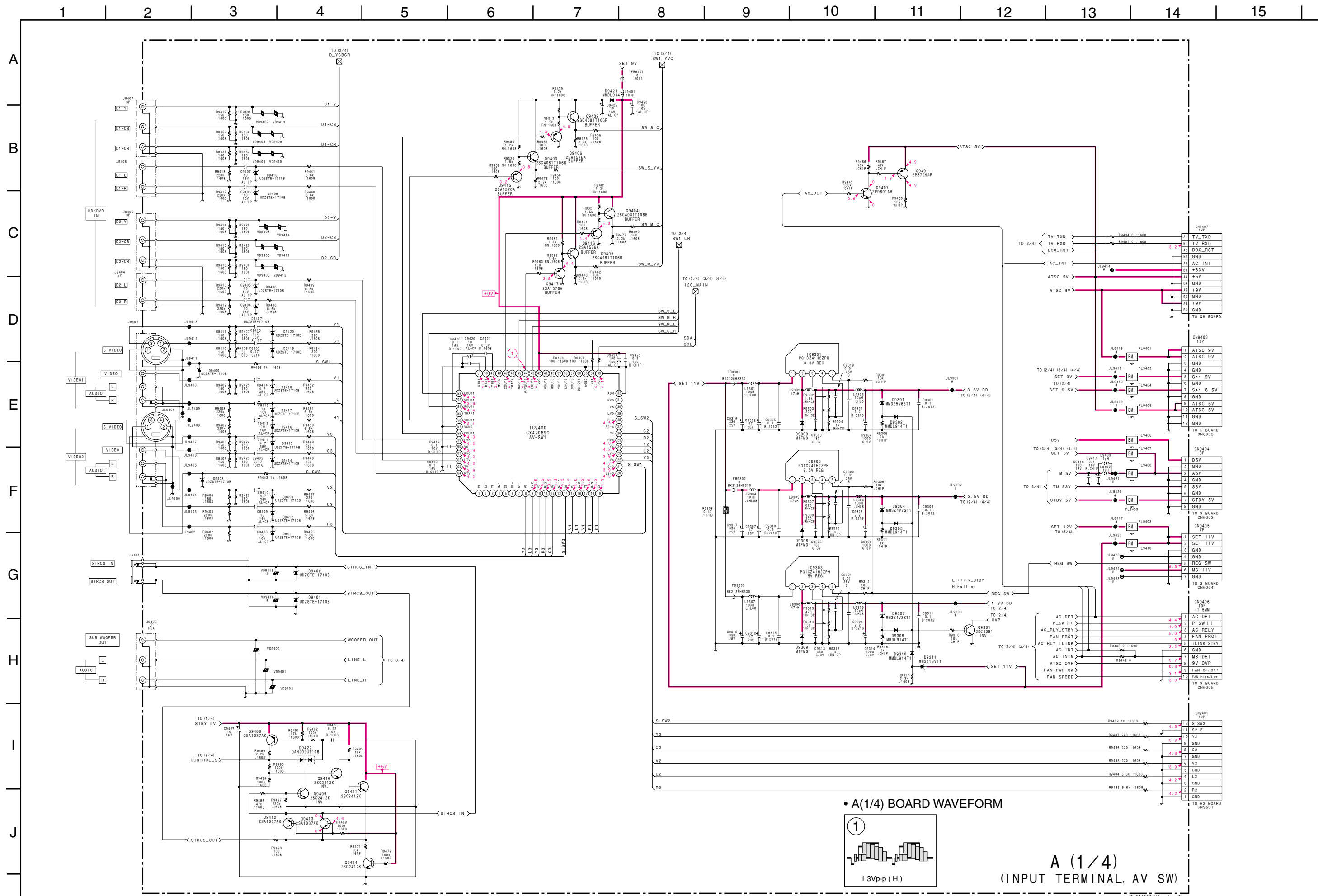
<COMPONENT SIDE>

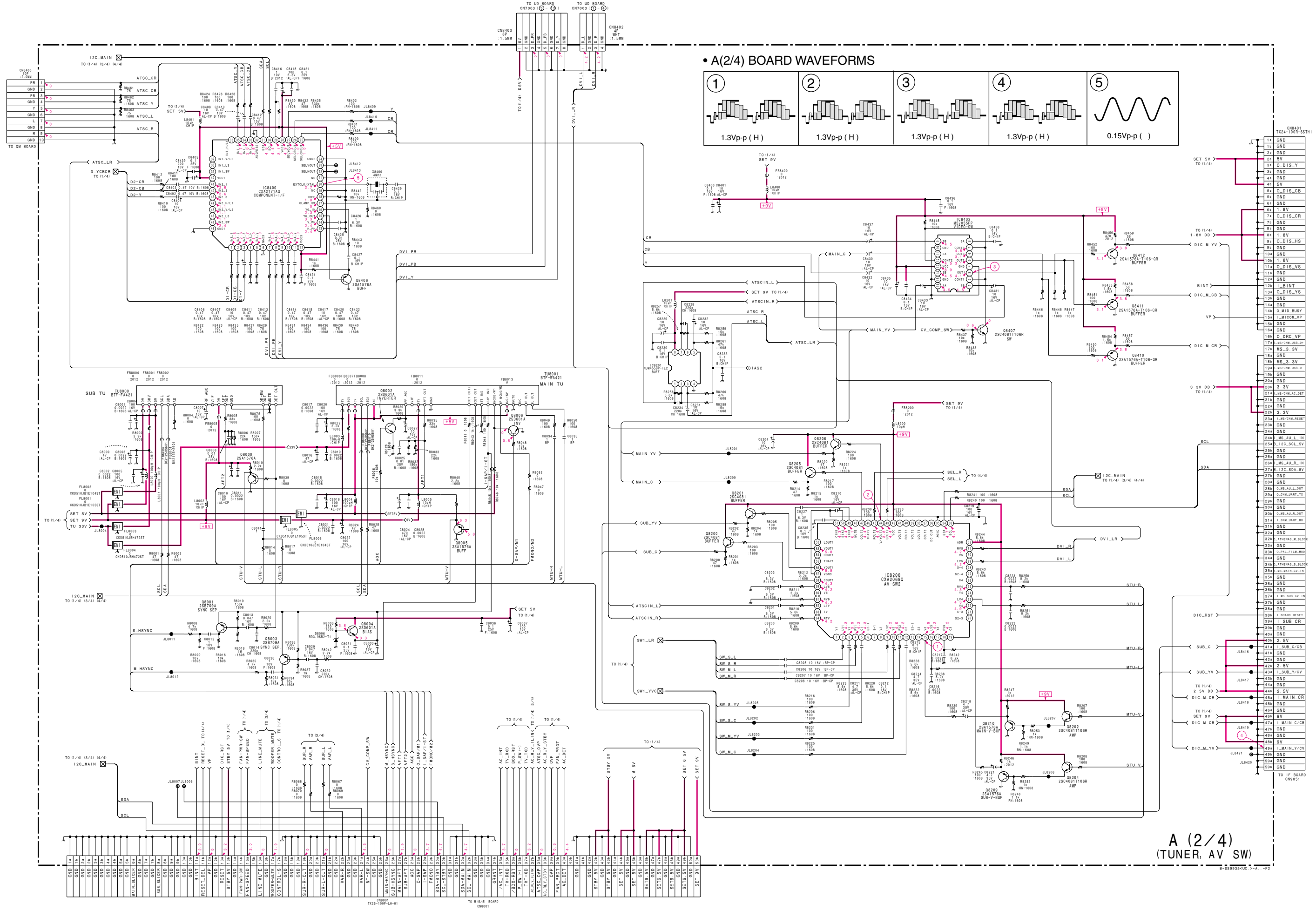


<CONDUCTOR SIDE>

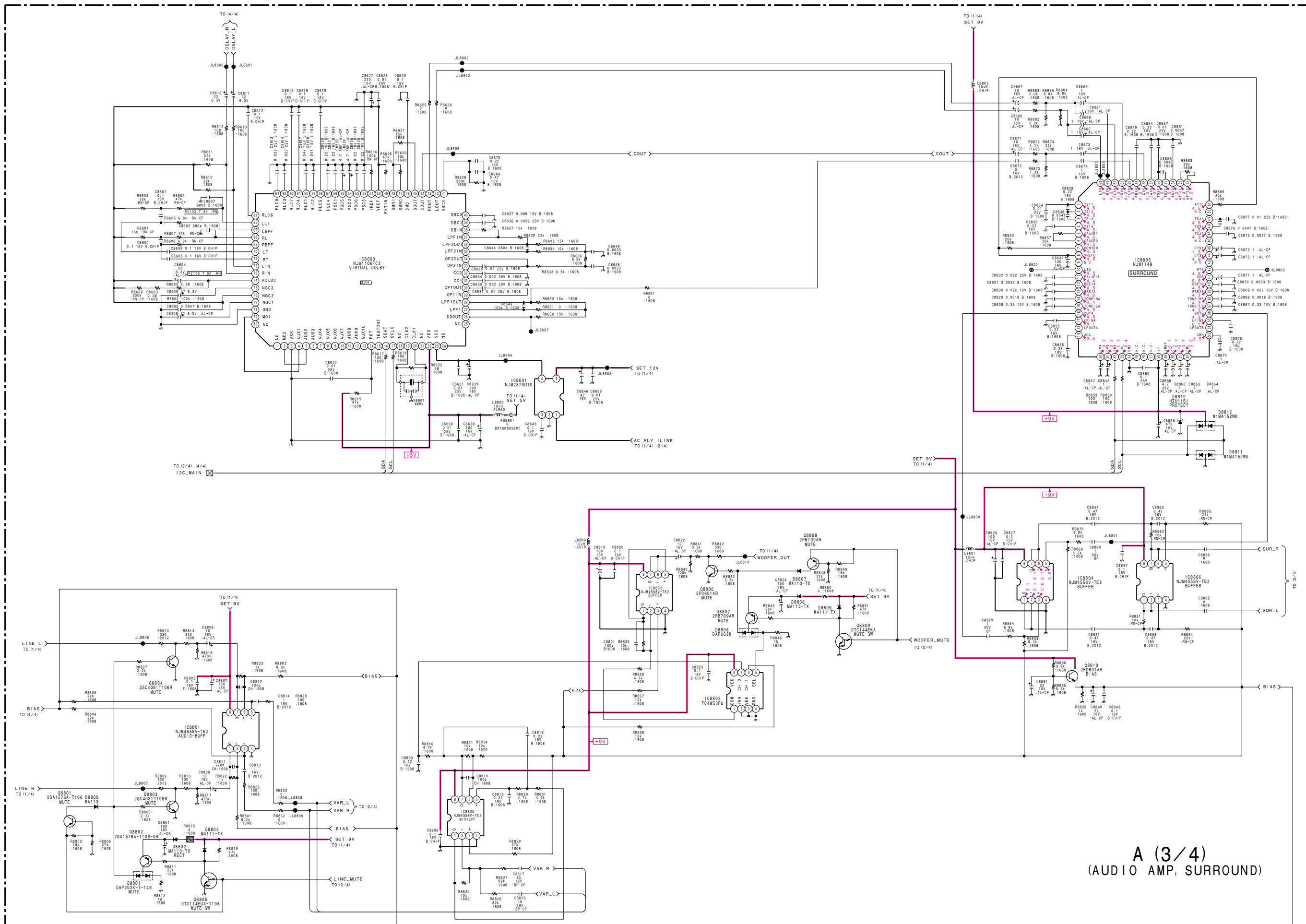
3-4-2. MEDIA RECEIVER UNIT (MBD-XBR950L)

(1) Schematic Diagrams of A Board



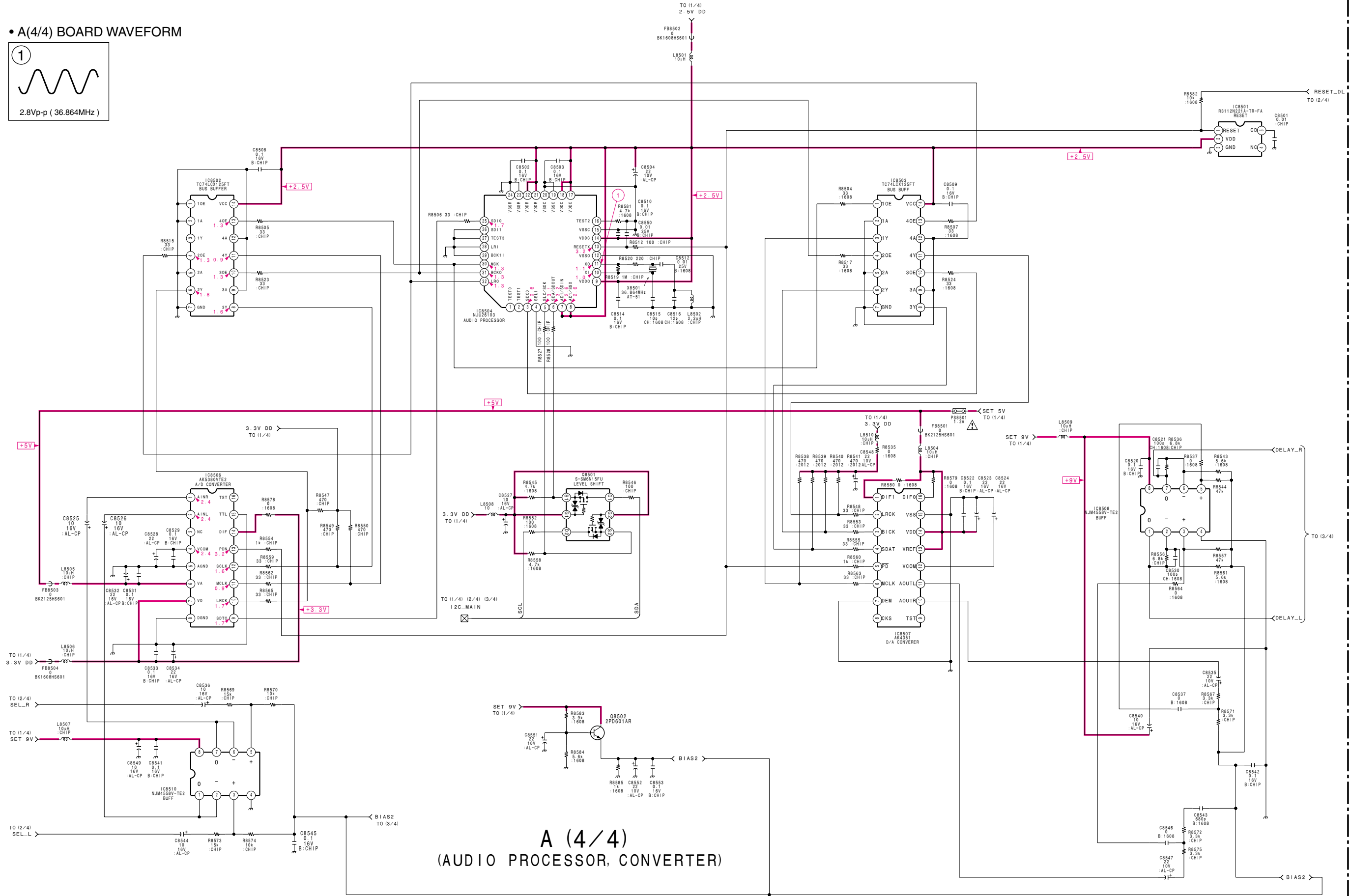
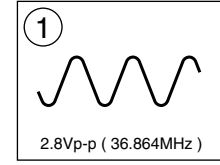


A (2/4)
(TUNER, AV SW)



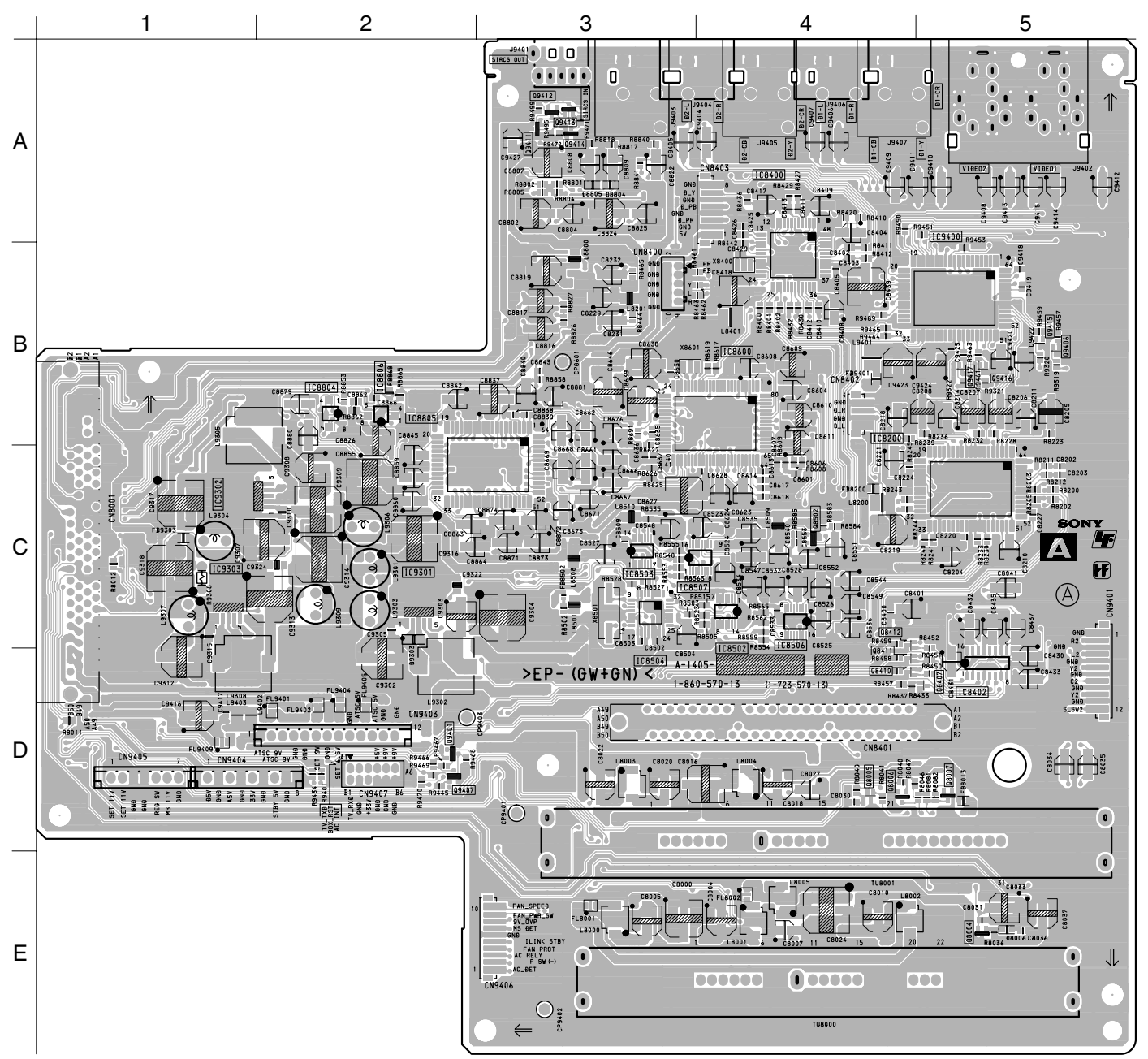
A (3/4)
(AUDIO AMP, SURROUND)

• A(4/4) BOARD WAVEFORM

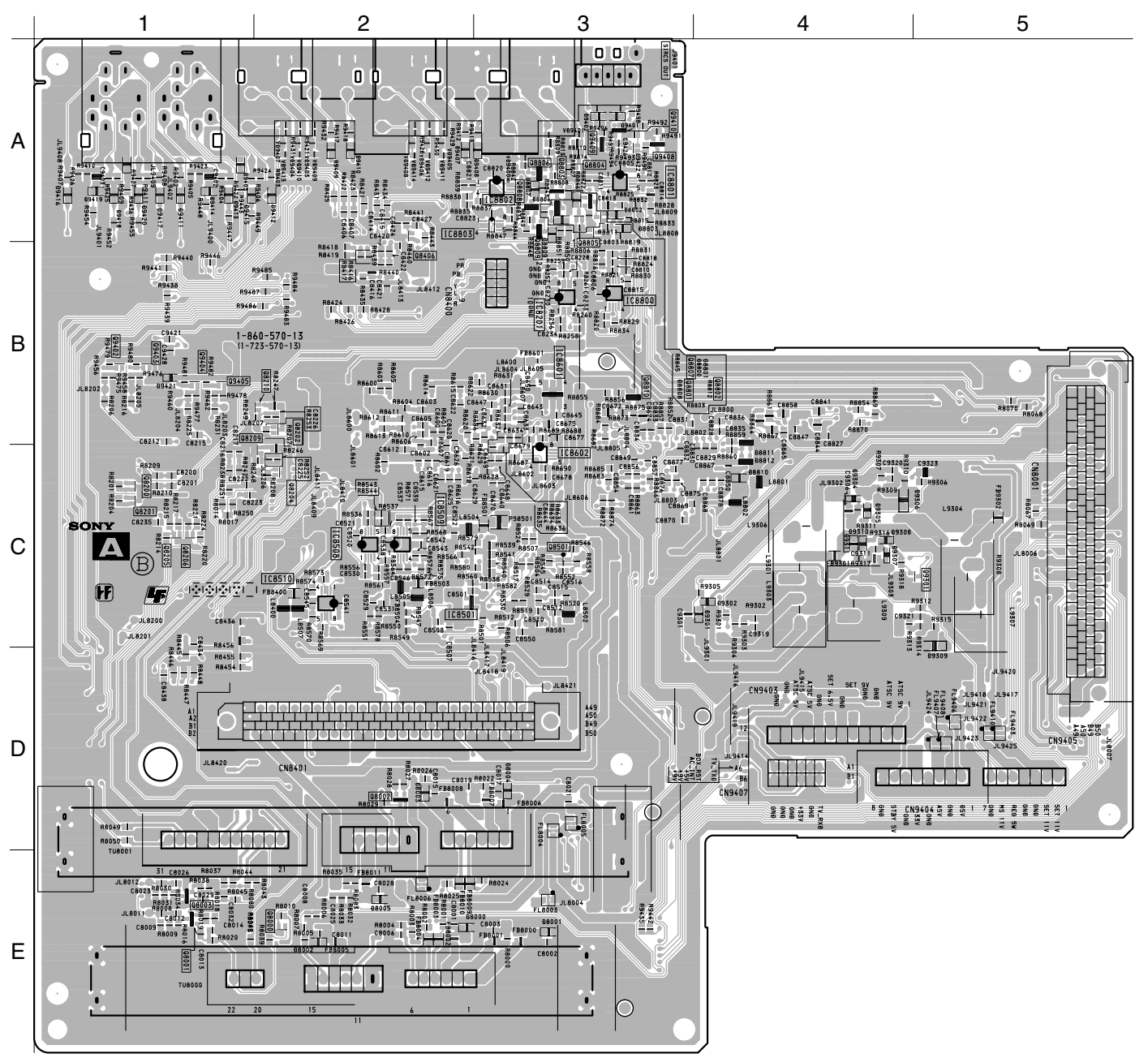


A [INPUT TERMINAL, AV SW, TUNER, AUDIO AMP, SURROUND, AUDIO PROCESSOR, CONVERTER]

— A BOARD —



<COMPONENT SIDE>



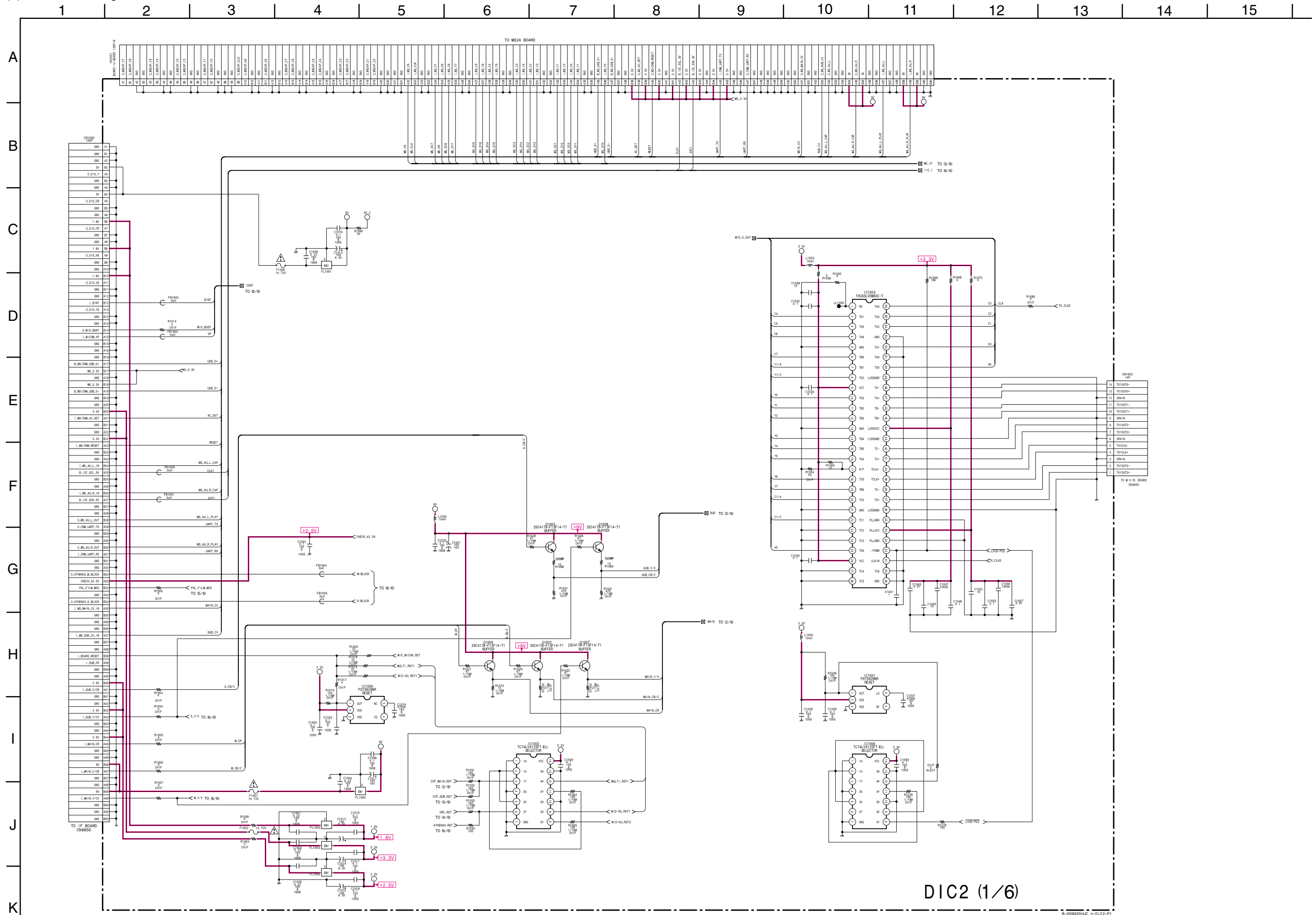
<CONDUCTOR SIDE>

• A BOARD SEMICONDUCTOR LOCATION

IC	IC8600	B-4	TRANSISTER		Q8206	C-1	Q8807	A-3	Q9412	A-3	Q8005	E-2	D9302	C-4	D9409	A-2
(Component Side)	(Component Side)	(Conductor Side)	(Component Side)	(Conductor Side)	(Component Side)	(Conductor Side)	(Component Side)	(Conductor Side)	(Component Side)	(Conductor Side)	(Component Side)	(Conductor Side)	(Component Side)	(Conductor Side)	(Component Side)	(Conductor Side)
IC8200	IC8601	B-3	Q8000	E-2	Q8406	A-2	Q8808	A-3	Q9413	A-3	D8006	E-5	D9303	C-2	D9410	A-2
IC8201	IC8602	C-3	Q8001	E-1	Q8407	D-5	Q8809	A-3	Q9414	A-3	D8801	A-3	D9304	C-4	D9411	A-1
IC8400	IC8800	B-3	Q8002	D-2	Q8410	D-4	Q8810	B-3	Q9415	B-5	D8802	A-3	D9305	C-4	D9412	A-2
IC8402	IC8801	A-3	Q8003	E-1	Q8411	D-4	Q9301	C-5	Q9416	B-5	D8803	A-3	D9306	C-4	D9413	A-1
IC8501	IC8802	A-3	Q8004	E-5	Q8412	C-4	Q9402	D-2	Q9417	B-5	D8804	A-3	D9307	C-4	D9414	A-1
IC8502	IC8803	A-3	Q8005	D-4	Q8413	D-4	Q9403	B-1			D8805	A-3	D9308	C-4	D9415	A-1
IC8503	IC8804	B-2	Q8006	D-4	Q8501	C-3	Q9404	B-1	DIODE		D8806	A-3	D9309	C-5	D9416	A-1
IC8504	IC8805	C-3	Q8007	D-5	Q8502	C-4	Q9405	B-1	(Component Side)	(Conductor Side)	D8807	A-3	D9310	C-4	D9417	A-1
IC8506	IC8806	B-2	Q8008	D-5	Q8503	C-4	Q9406	B-5		*	D8808	A-3	D9311	C-4	D9418	A-1
IC8507	IC8807	C-2	Q8009	D-5	Q8504	C-3	Q9407	D-2	D8000	E-2	D8809	A-3	D9400	A-1	D9419	A-1
IC8508	IC8808	C-3	Q8200	C-1	Q8505	A-3	Q9408	A-3	D8001	E-3	D8810	A-3	D9401	A-3	D9420	A-1
IC8509	IC8809	B-2	Q8201	C-1	Q8506	A-3	Q9409	A-3	D8002	E-2	D8811	B-4	D9402	A-3	D9421	B-1
IC8510	IC8810	A-3	Q8202	B-2	Q8507	A-3	Q9410	A-3	D8003	D-2	D8812	C-4	D9403	A-1	D9422	A-3
	IC8811	A-3	Q8204	C-2	Q8508	A-3	Q9411	A-3	D8004	D-3	D9301	C-4	D9404	A-3		
	IC8812	A-3	Q8205	C-1	Q8509	A-3							D9405	A-3		

*: Refer to Terminal name of semiconductors in silk screen printed circuit (see page 3-13)

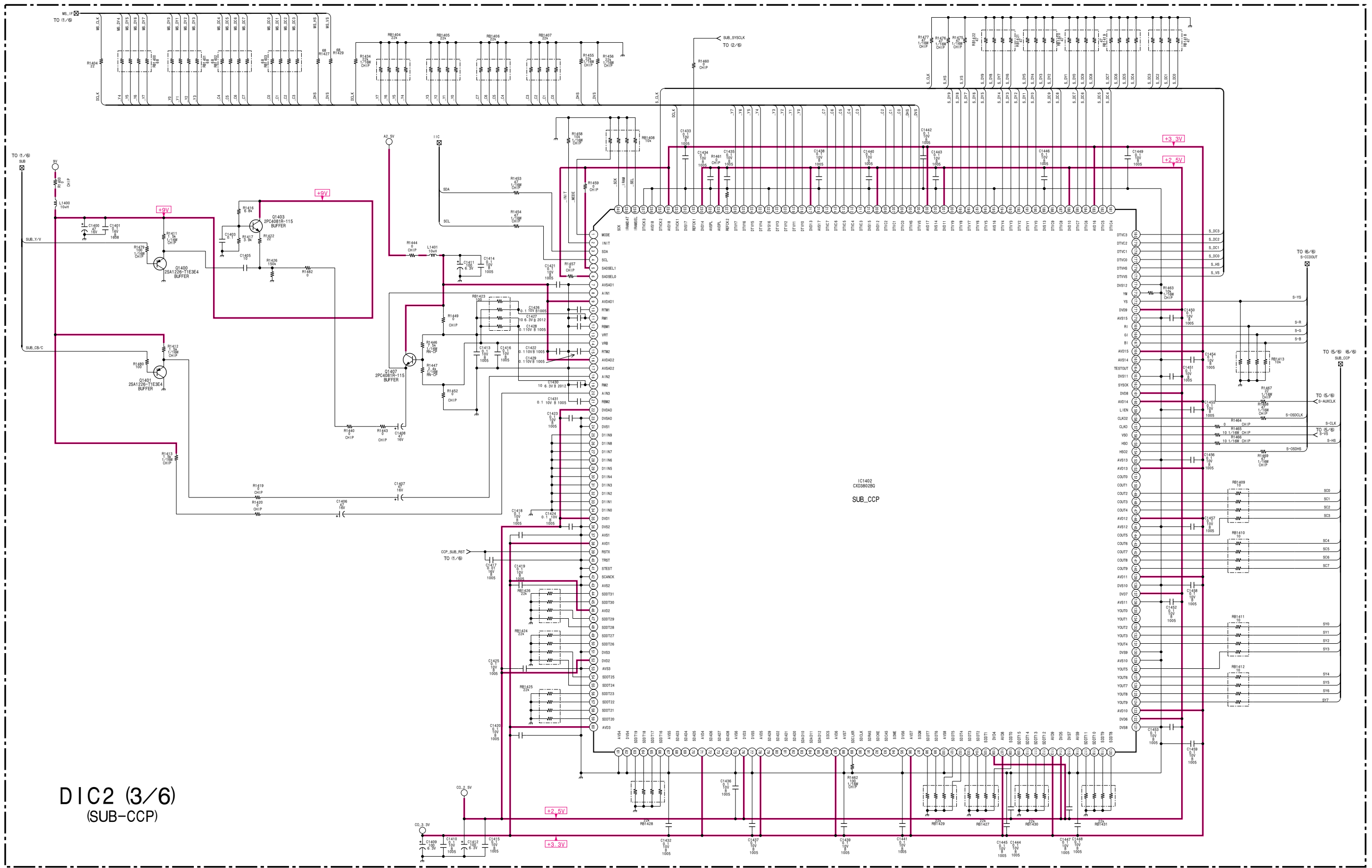
(2) Schematic Diagrams of DIC2 Board



DIC2 (1/6)

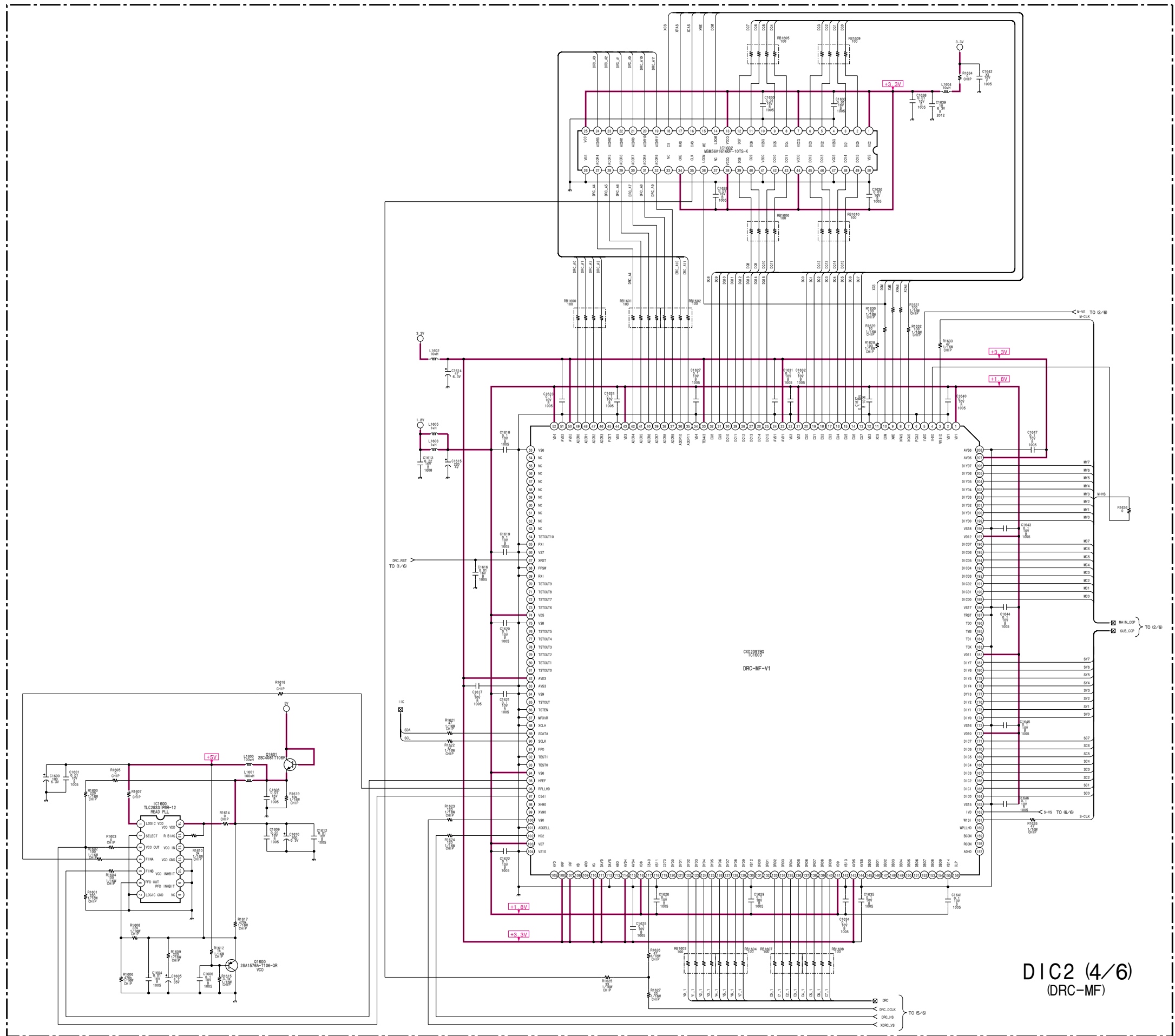
1 2 3 4 5 6 7 8 9 10 11 12 13 14 15

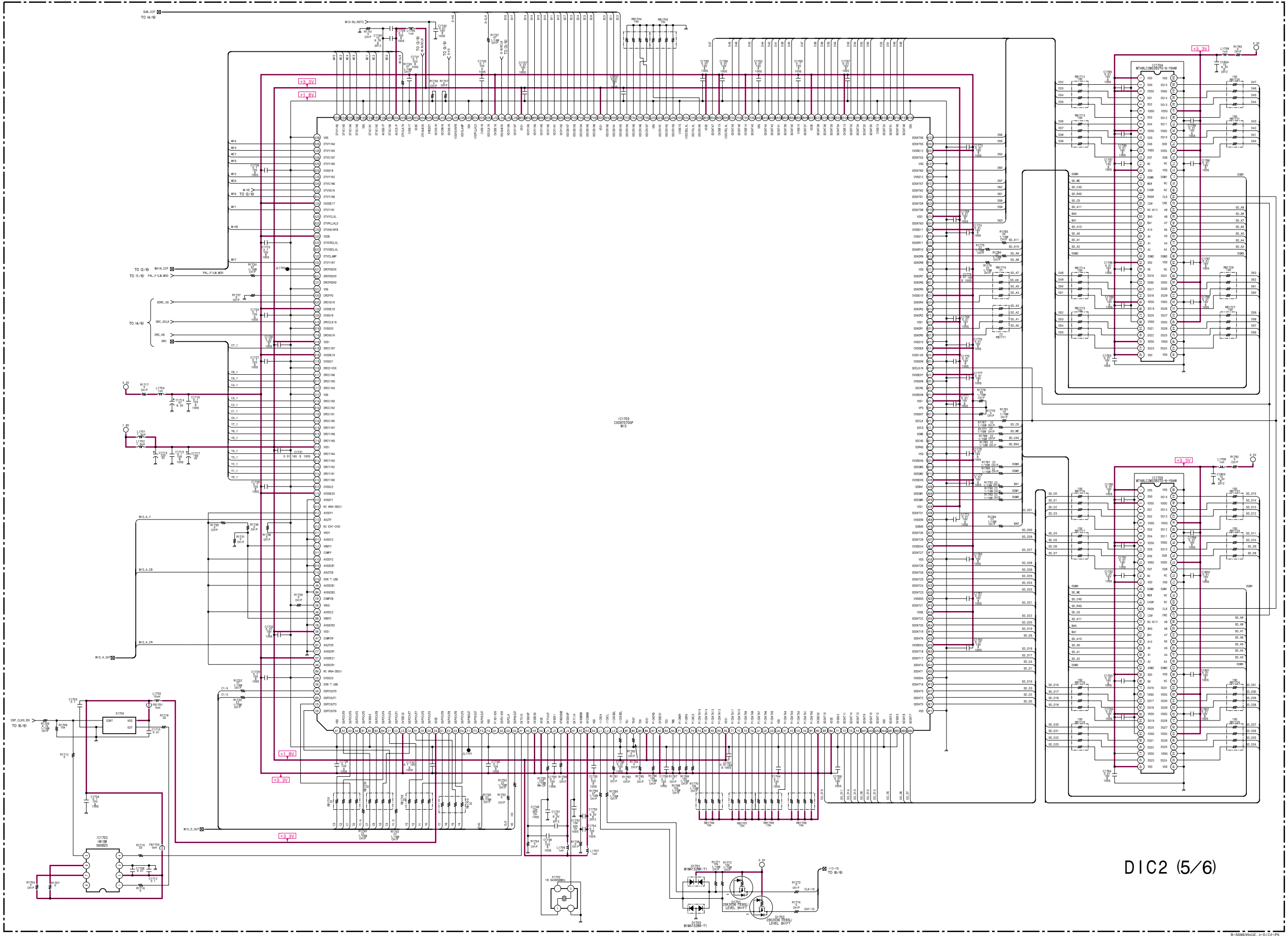
A
B
C
D
E
F
G
H
I
J
K



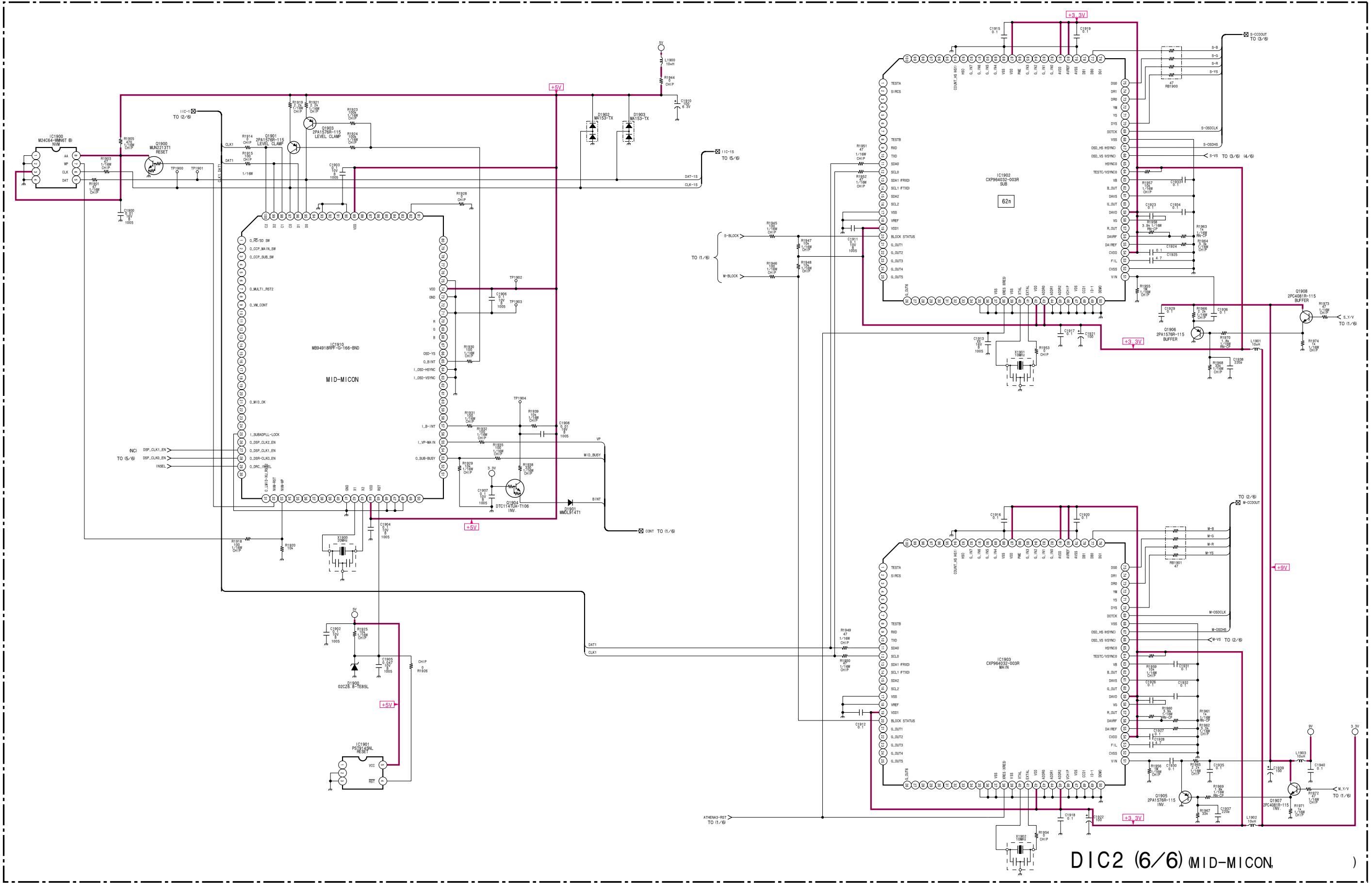
DIC2 (3/6)
(SUB-CCP)

B-SS9935-UC -D1C2-P3





DIC2 (5/6)



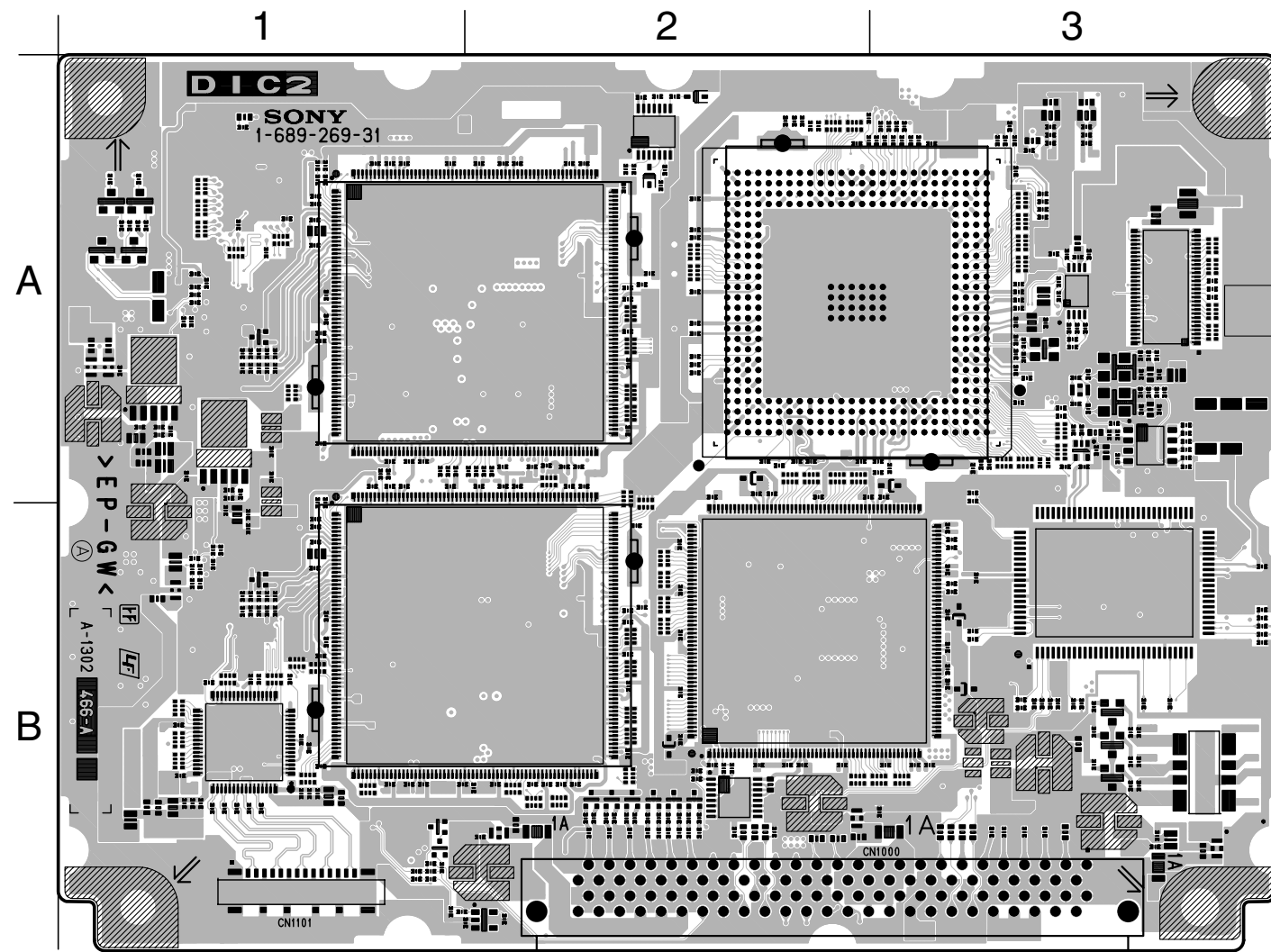
DIC2 (6/6) MID-MICON

B-SS9935-UC >D1C2-P6

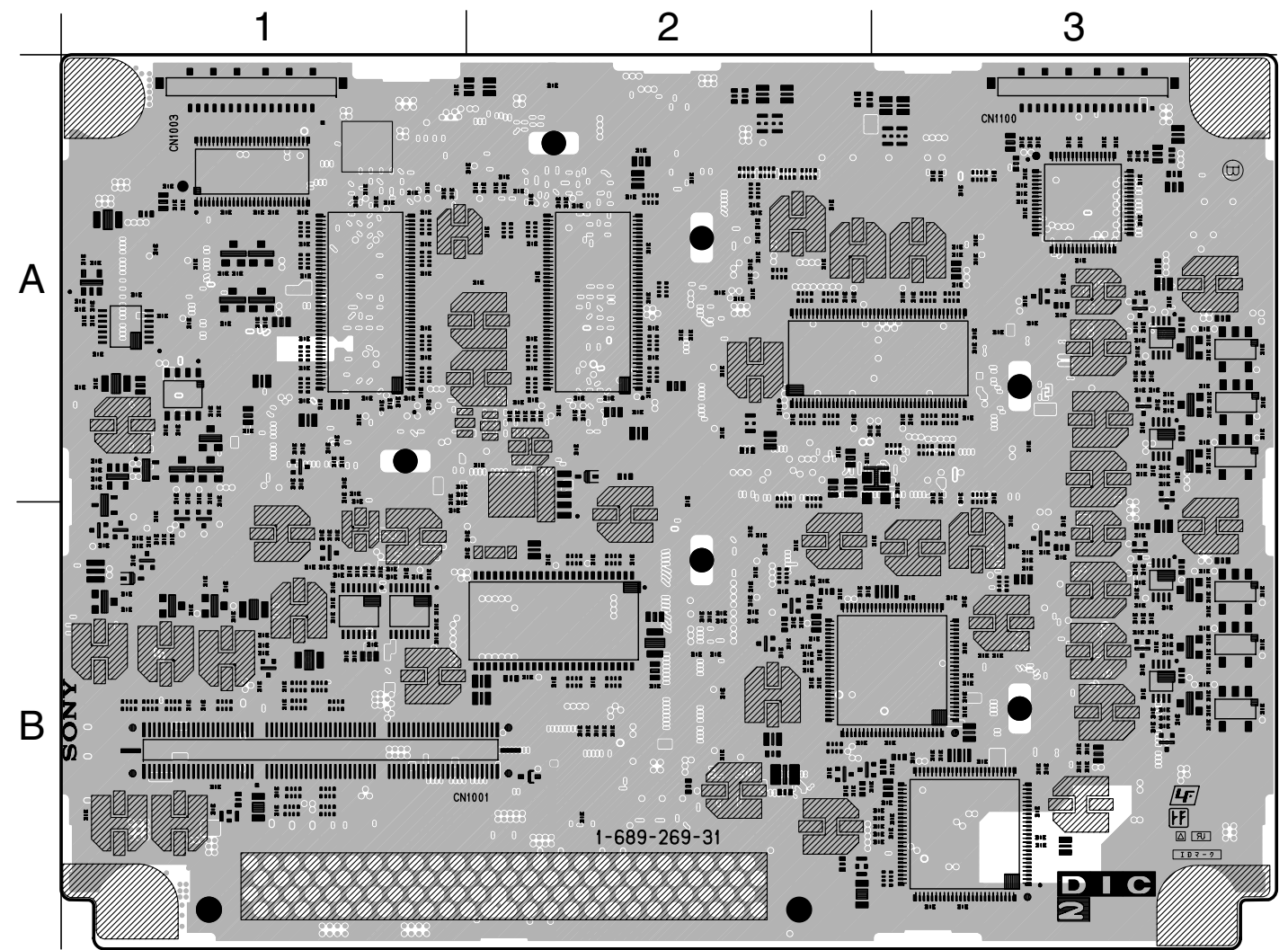
DIC2

[MAIN-CCP, SUB-CCP, DRC-MF, MID-MICON]

— DIC2 BOARD —

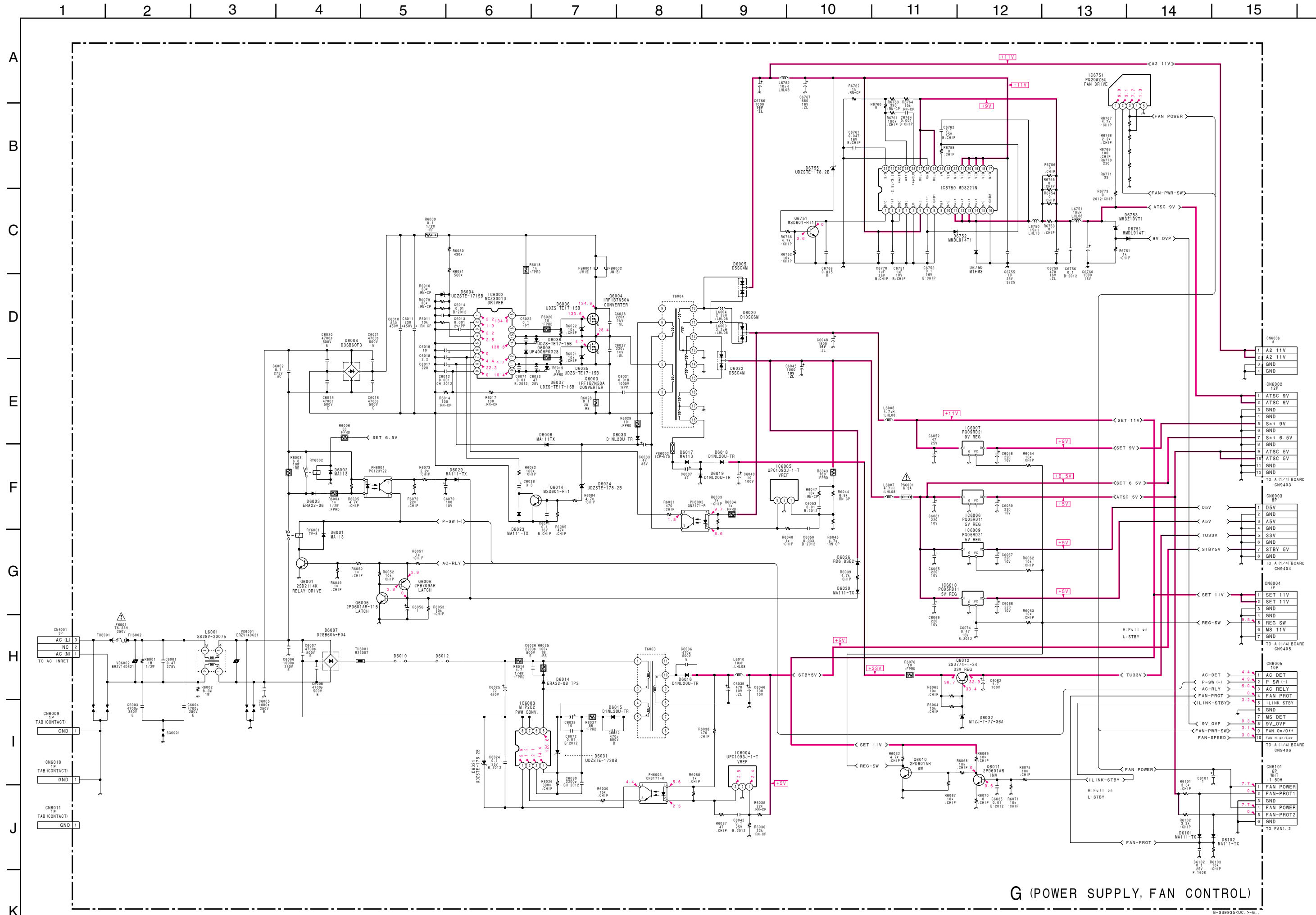


<COMPONENT SIDE>



<CONDUCTOR SIDE>

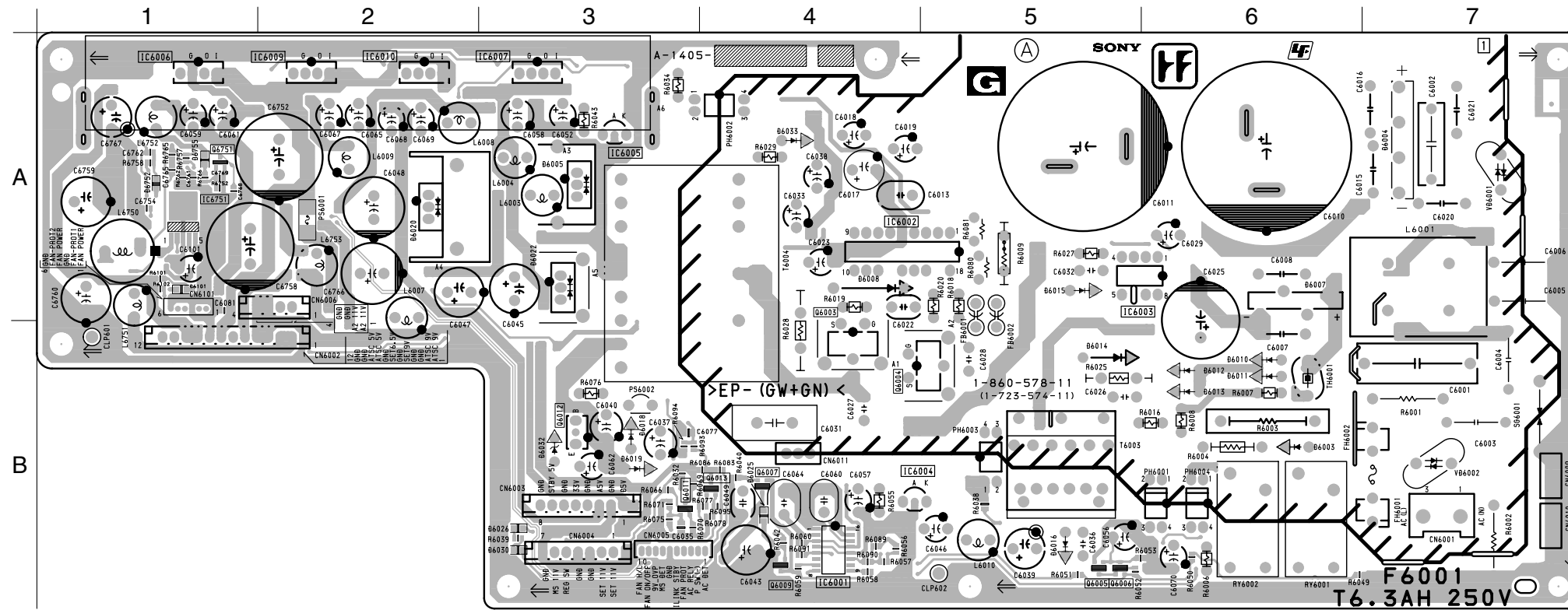
(3) Schematic Diagram of G Board



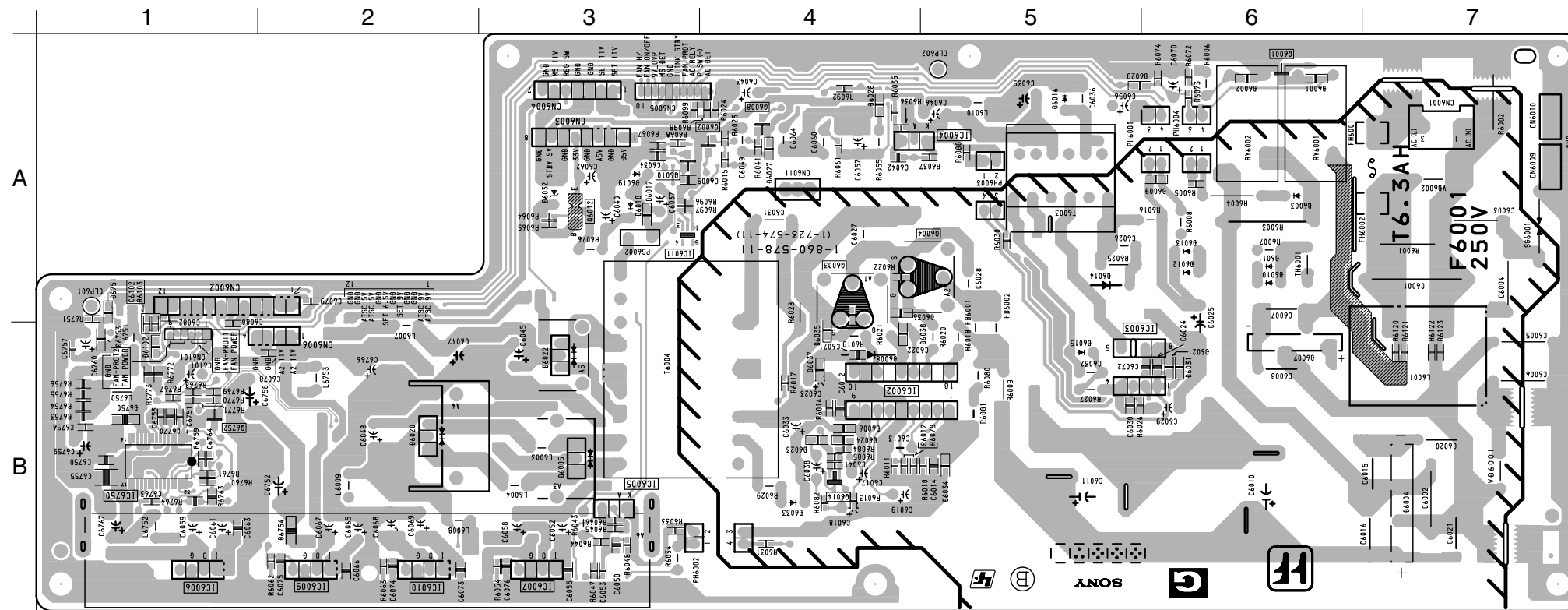
G (POWER SUPPLY, FAN CONTROL)

G [POWER SUPPLY, FAN CONTROL]

— G BOARD —



<COMPONENT SIDE>



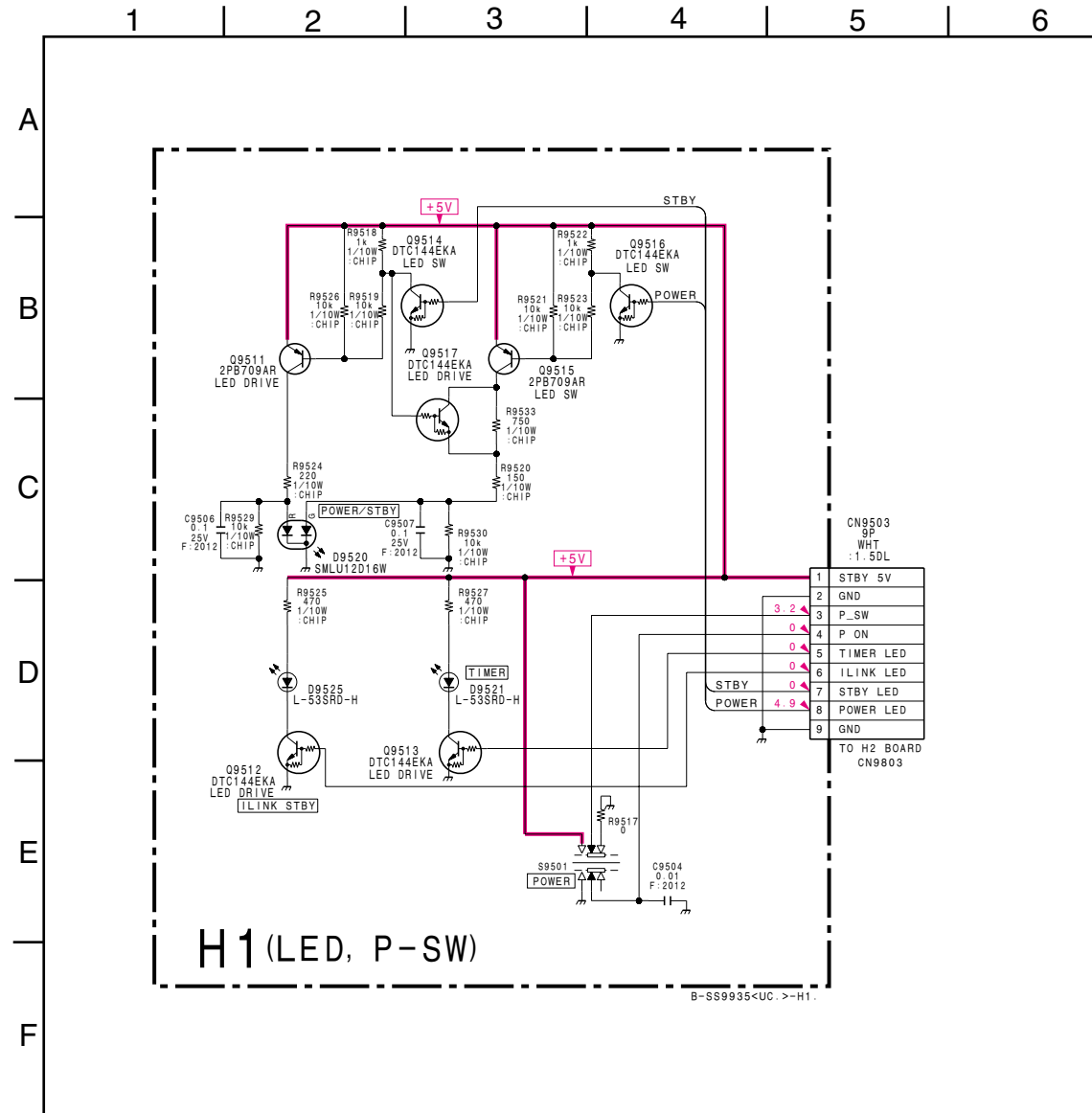
<CONDUCTOR SIDE>

• G BOARD SEMICONDUCTOR LOCATION

IC (Component Side) (Conductor Side)	Q6010	B-5	①	D6018	B-3	-
		Q6011	B-3	②	D6019	B-3
	Q6012	B-3	-	D6020	A-2	-
	Q6013	B-4	②	D6021	A-2	③
IC6001	B-4	-	-	D6022	A-3	-
IC6002	A-5	-	-	D6023	A-4	③
IC6003	A-6	-	-	D6024	A-4	③
IC6004	B-4	-	-	D6025	B-4	③
IC6005	A-3	-	-	D6026	B-3	③
IC6006	A-1	-	-	D6027	B-4	③
IC6007	A-3	-	-	D6028	B-4	③
IC6009	A-2	-	-	D6029	B-3	③
IC6010	A-2	-	-	D6030	B-3	③
IC6011	B-5	D6001	B-2	③	D6031	A-2
IC6750	A-7	D6002	B-2	③	D6032	B-3
IC6751	A-1	D6003	B-6	-	D6033	A-4
		D6004	A-7	-	D6034	A-3
		D6005	A-3	-	D6035	A-4
		D6006	A-4	③	D6036	A-3
		D6007	A-6	-	D6037	B-4
		D6008	A-4	-	D6038	A-4
		D6009	B-2	③	D6039	A-4
		D6010	B-6	-	D6101	A-1
		D6011	B-6	-	D6102	A-7
		D6012	B-6	-	D6750	A-7
		D6013	B-6	-	D6751	B-7
		D6014	B-5	-	D6752	A-1
		D6015	A-5	-	D6753	A-7
		D6016	B-5	-	D6754	A-6
		D6017	B-5	③	D6755	A-1

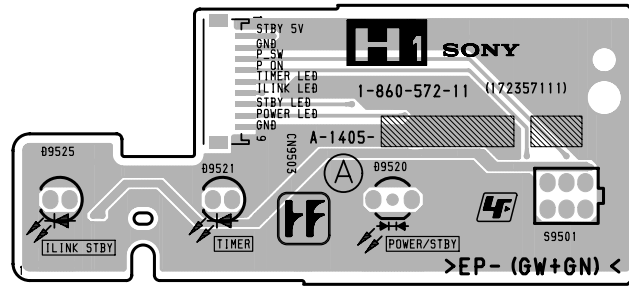
*: Refer to Terminal name of semiconductors in silk screen printed circuit (see page 3-13)

(4) Schematic Diagram of H1 Board

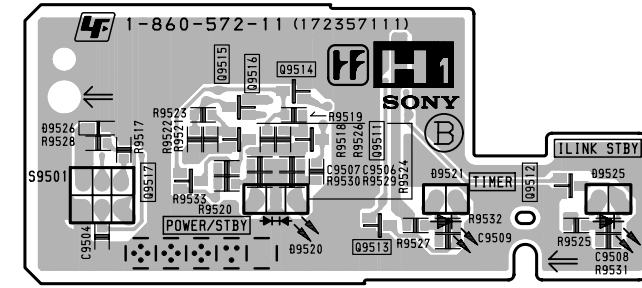


H1 [LED, P-SW]

— H1 BOARD —

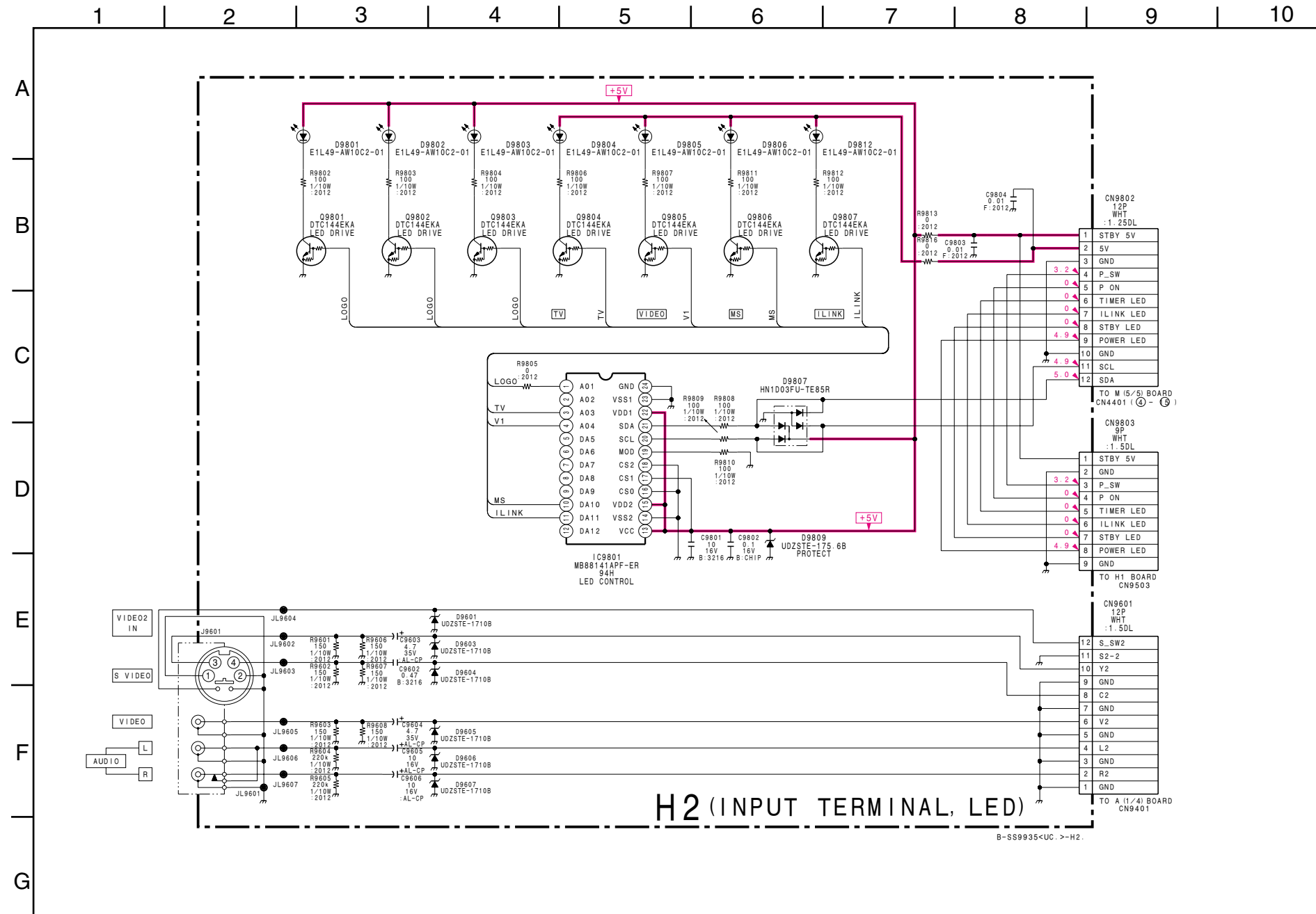


<COMPONENT SIDE>



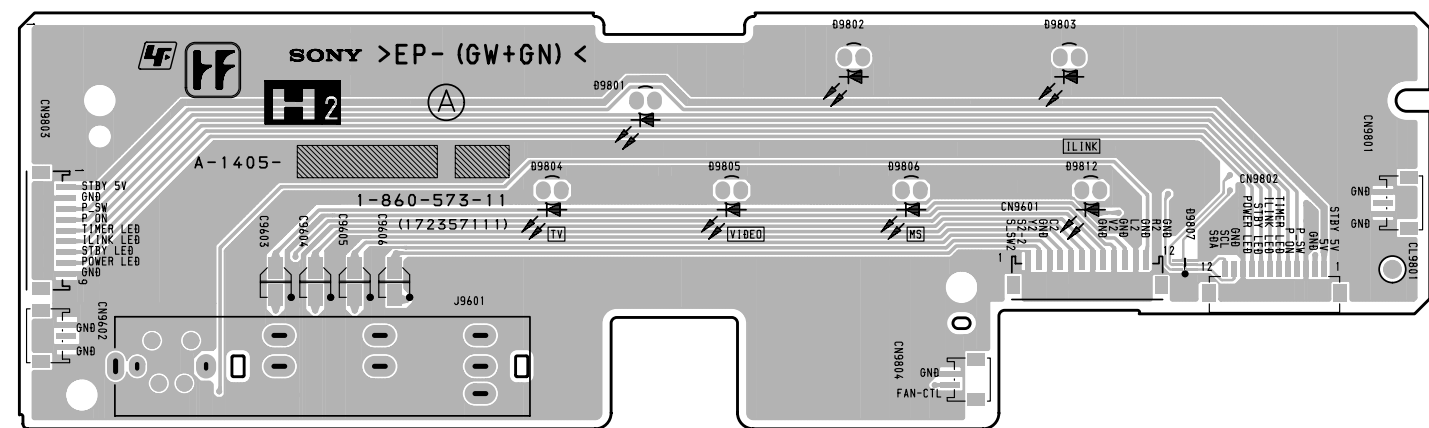
<CONDUCTOR SIDE>

(5) Schematic Diagram of H2 Board

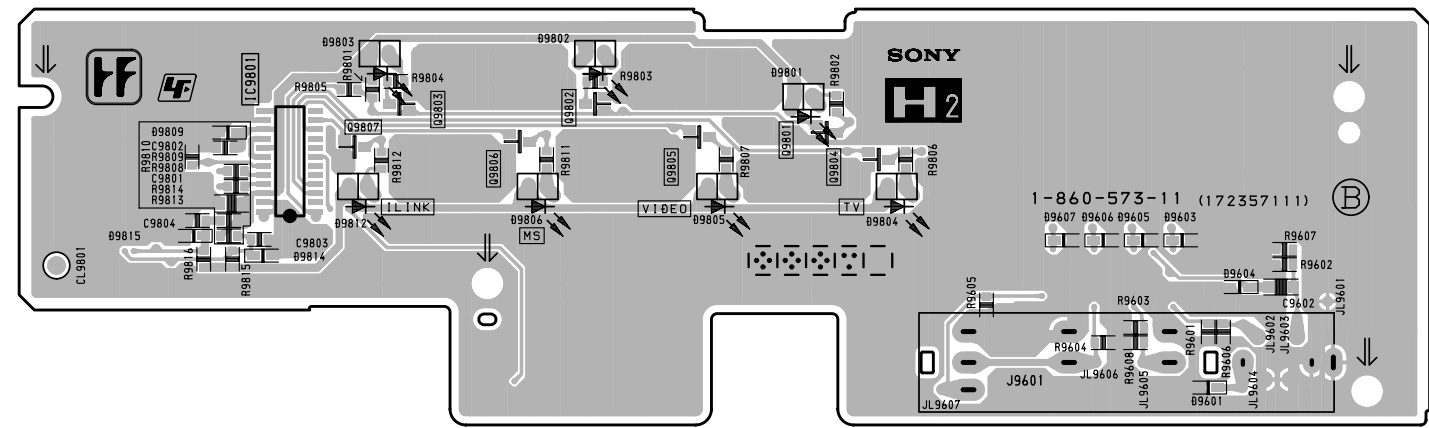


H2 [INPUT TERMINAL, LED]

— H2 BOARD —

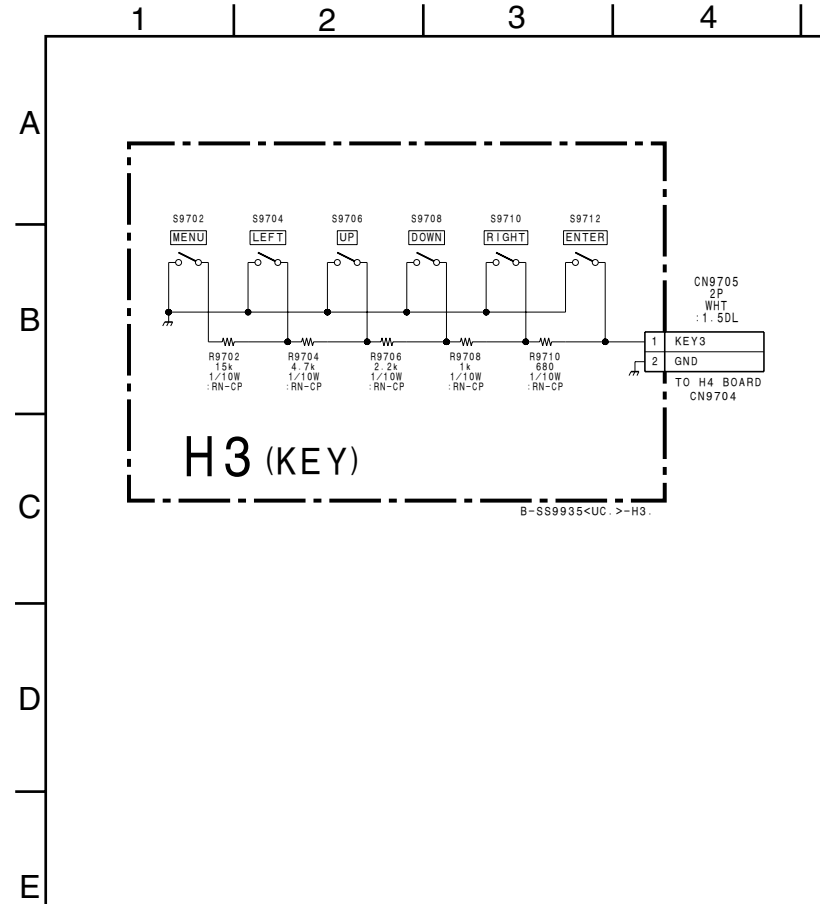


<COMPONENT SIDE>



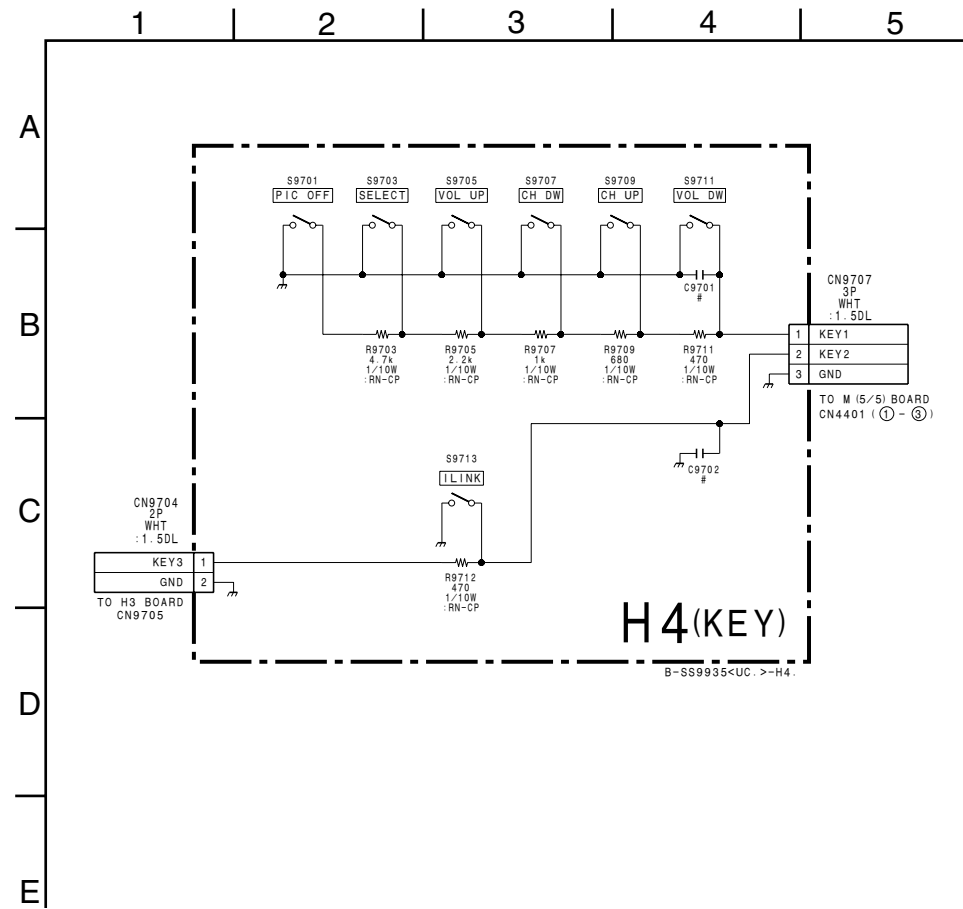
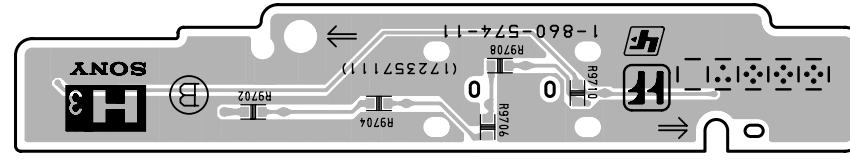
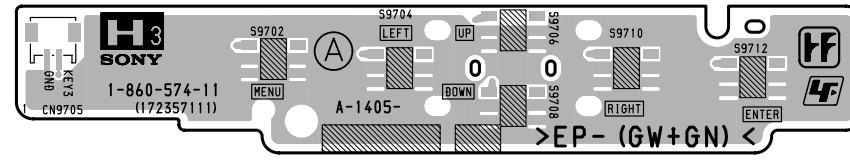
<CONDUCTOR SIDE>

(6) Schematic Diagram of H3 and H4 Boards



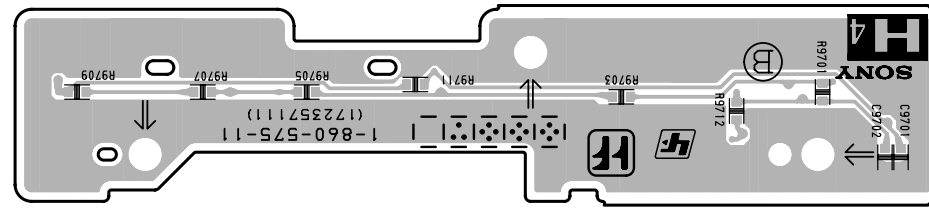
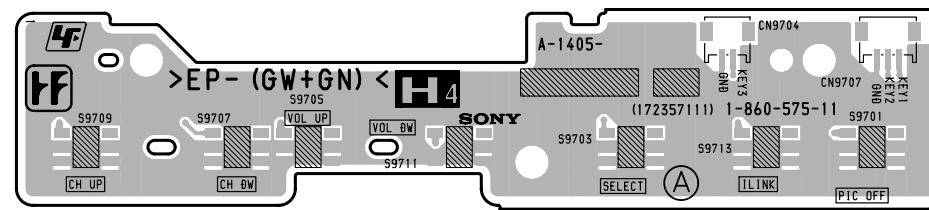
H3 [KEY]

— H3 BOARD —

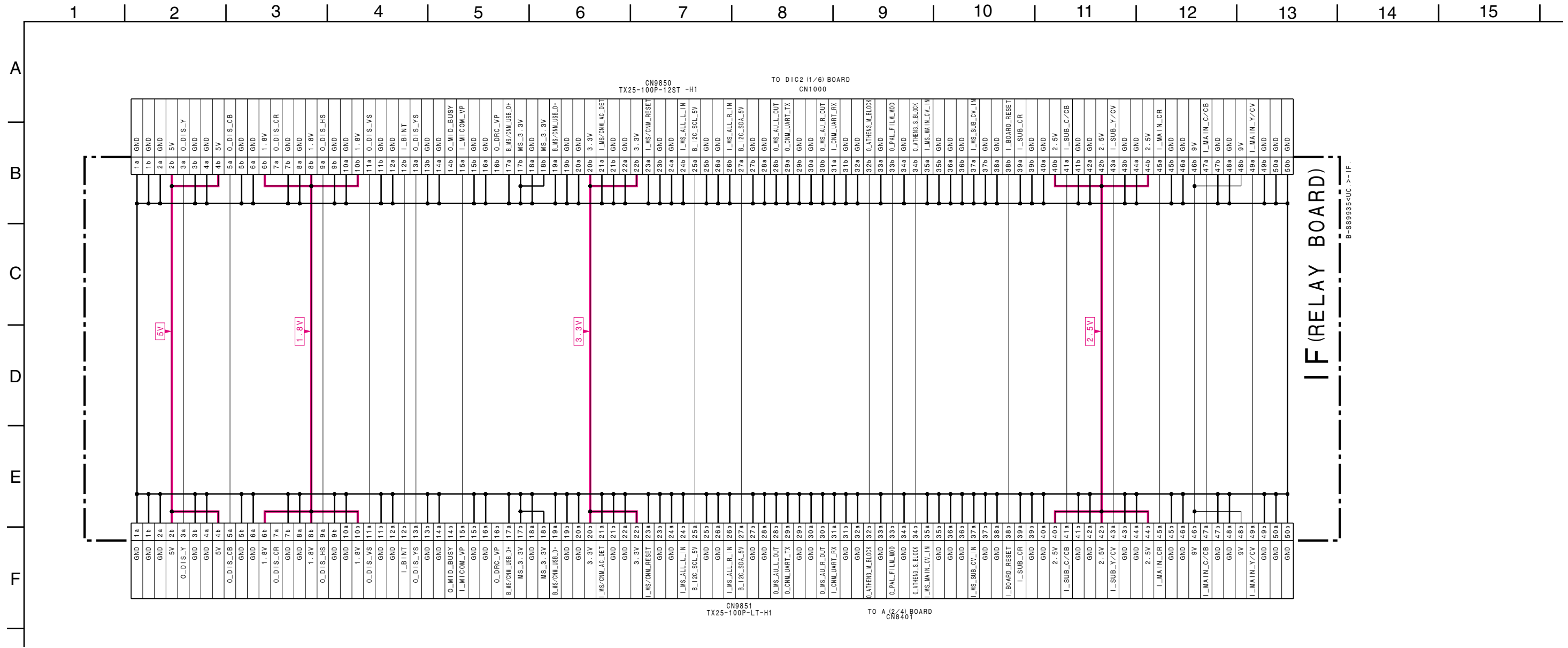


H4 [KEY]

— H4 BOARD —

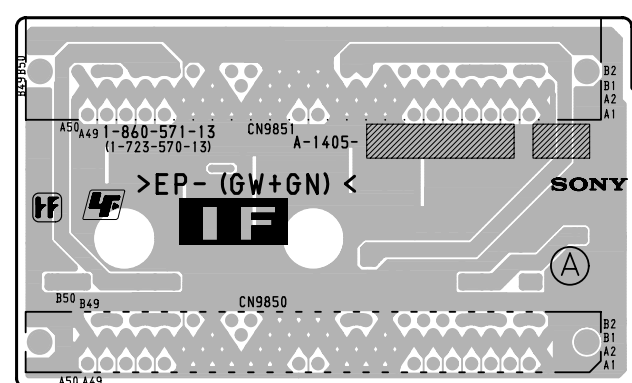


(7) Schematic Diagram of IF Board

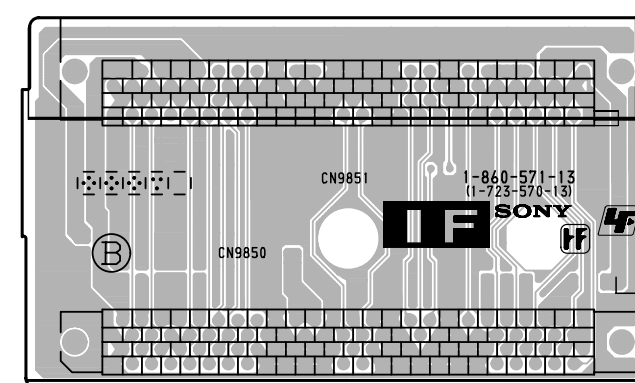


IF [RELAY BOARD]

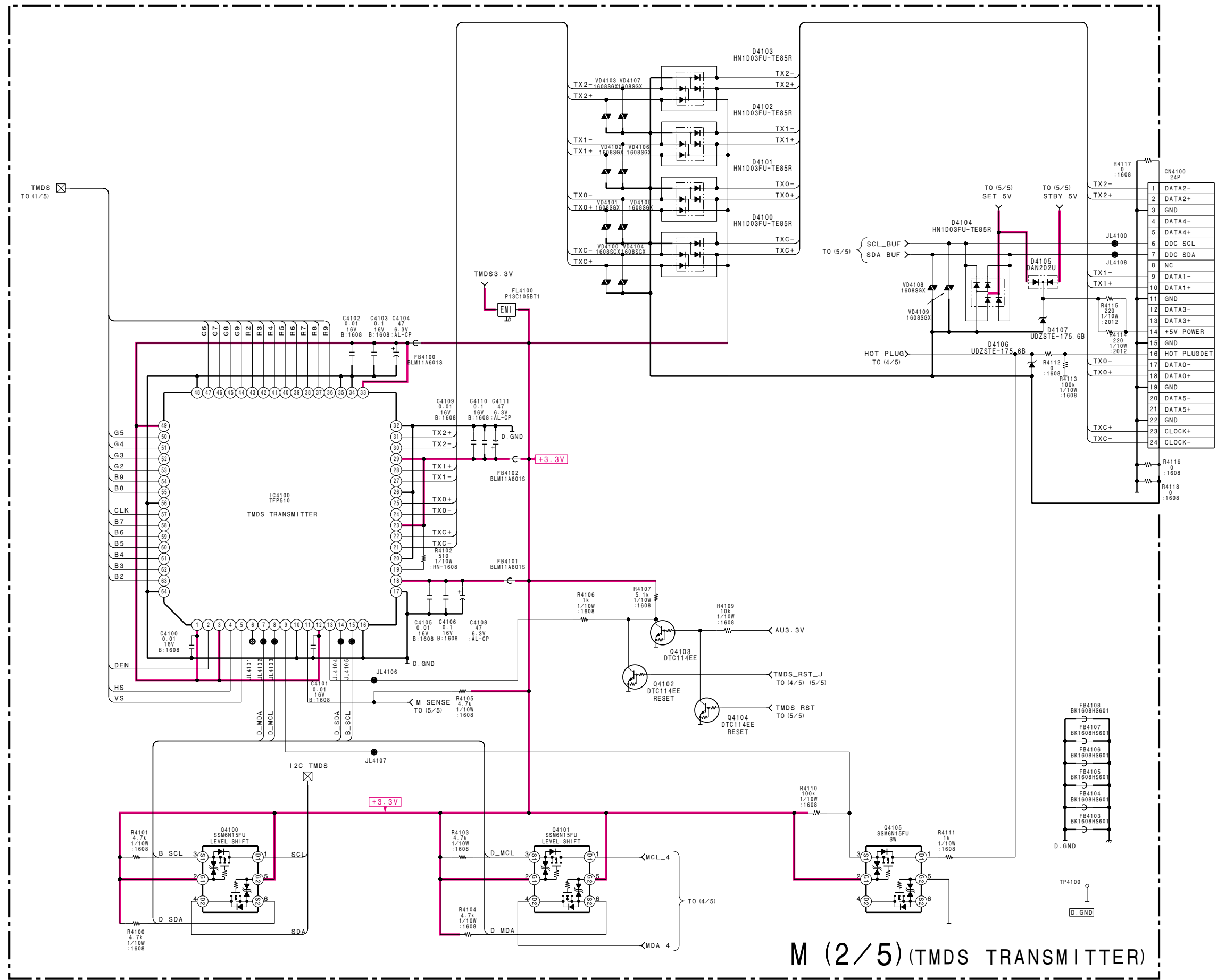
— IF BOARD —



<COMPONENT SIDE>

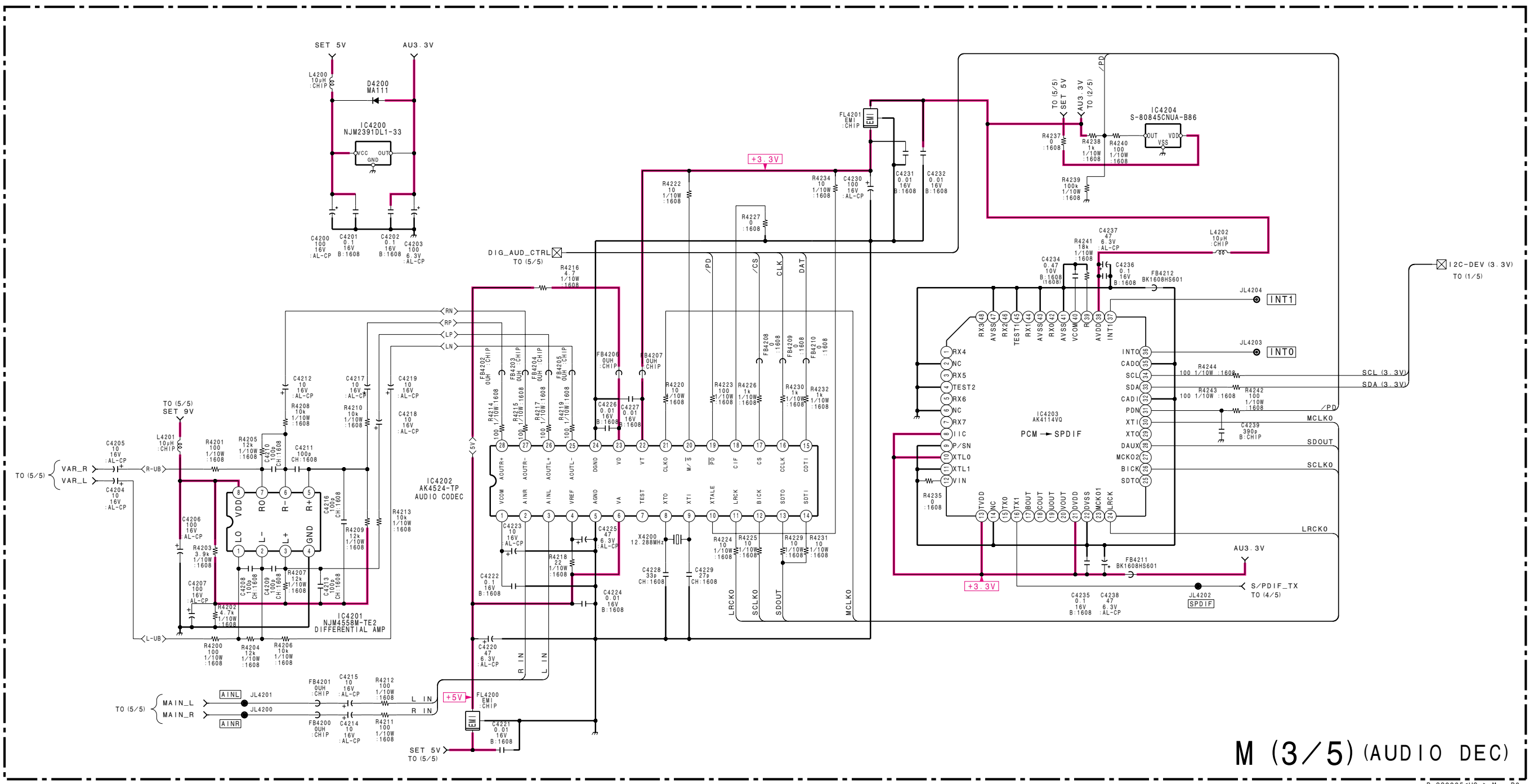


<CONDUCTOR SIDE>



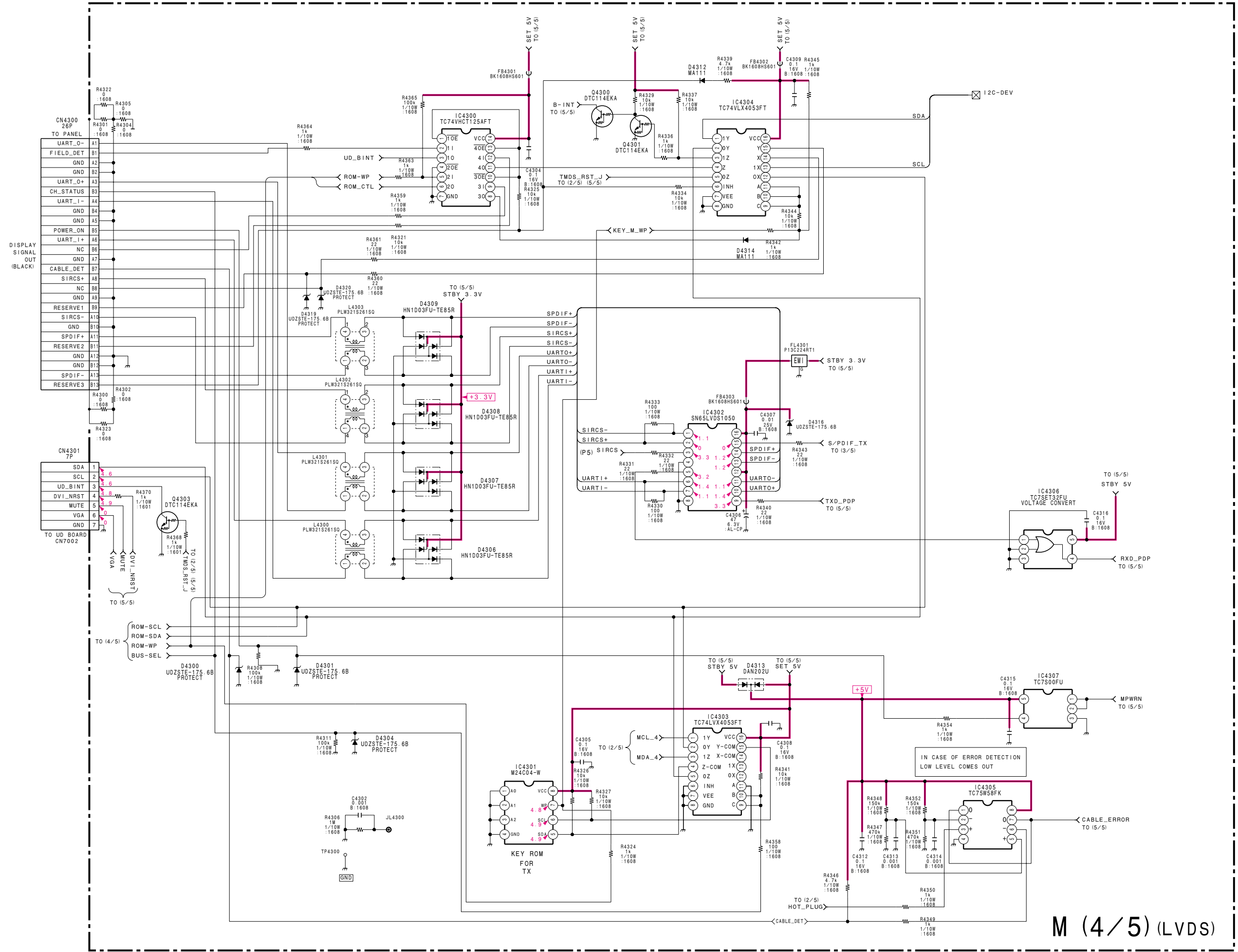
M (2/5) (TMDs TRANSMITTER)

B-SS9935CUC->M...P2



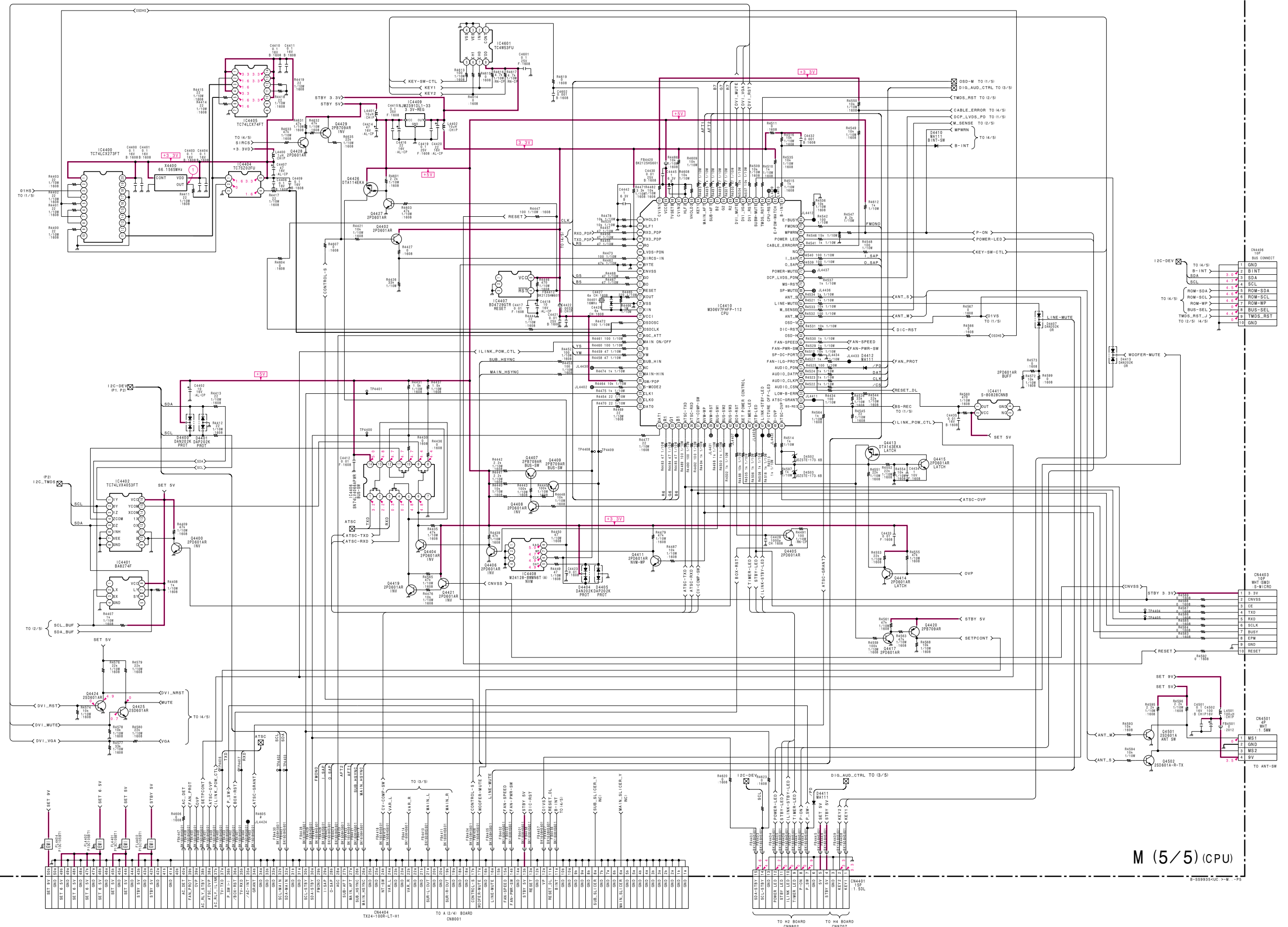
M (3/5) (AUDIO DEC)

B-SS9935<UC>-M...-P3



M (4/5) (LVDS)

B-559935-UC-...-P4

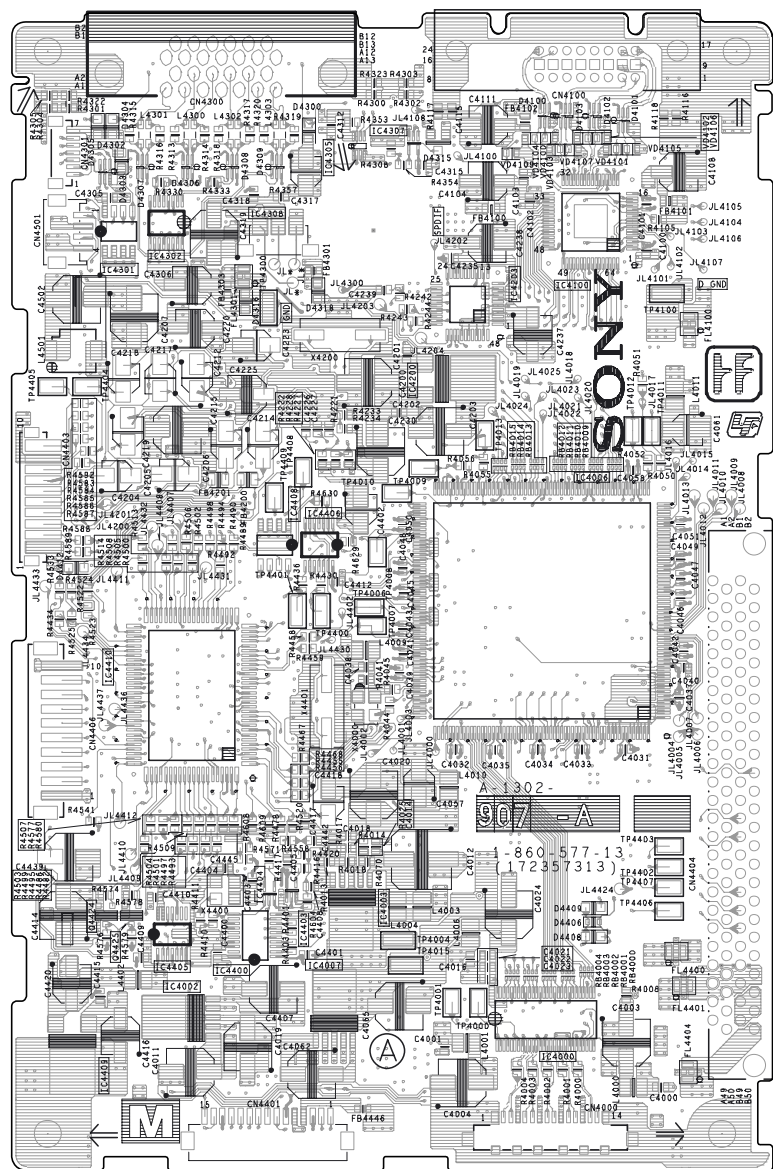


M (5/5) (CPU)

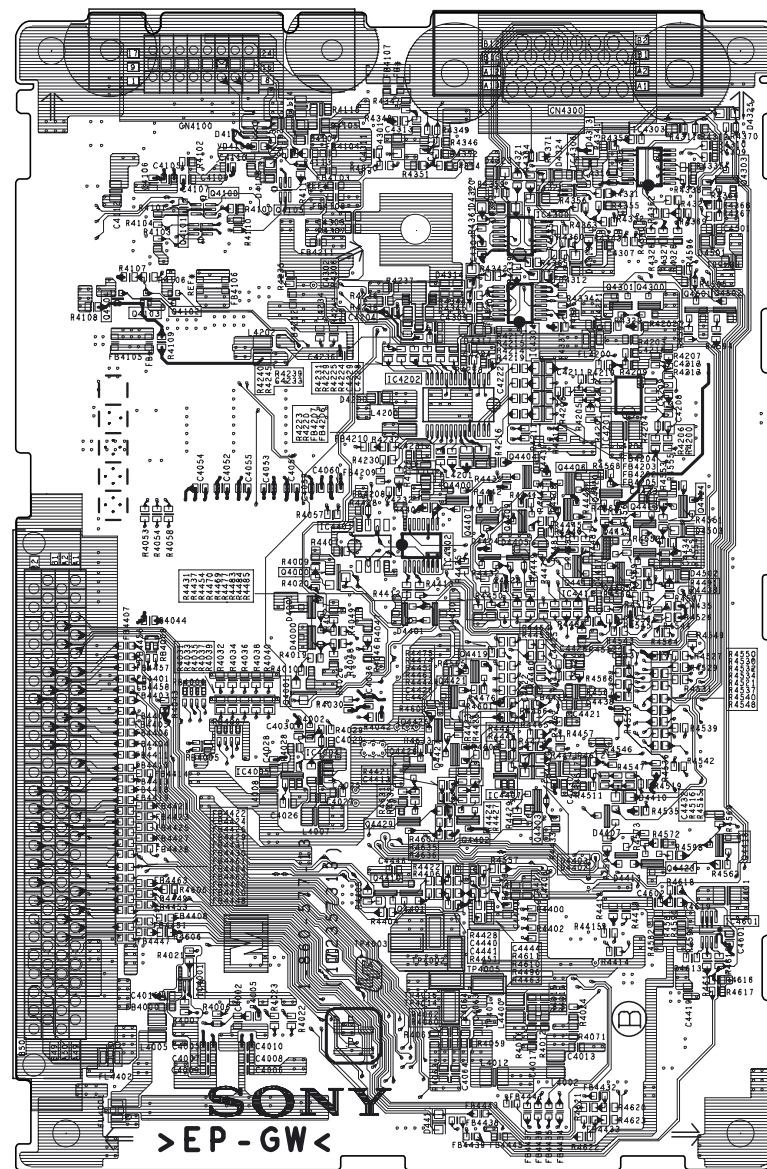
M

[DSP, TMD5 TRANSMITTER, AUDIO DEC, LVDS, CPU]

— M BOARD —

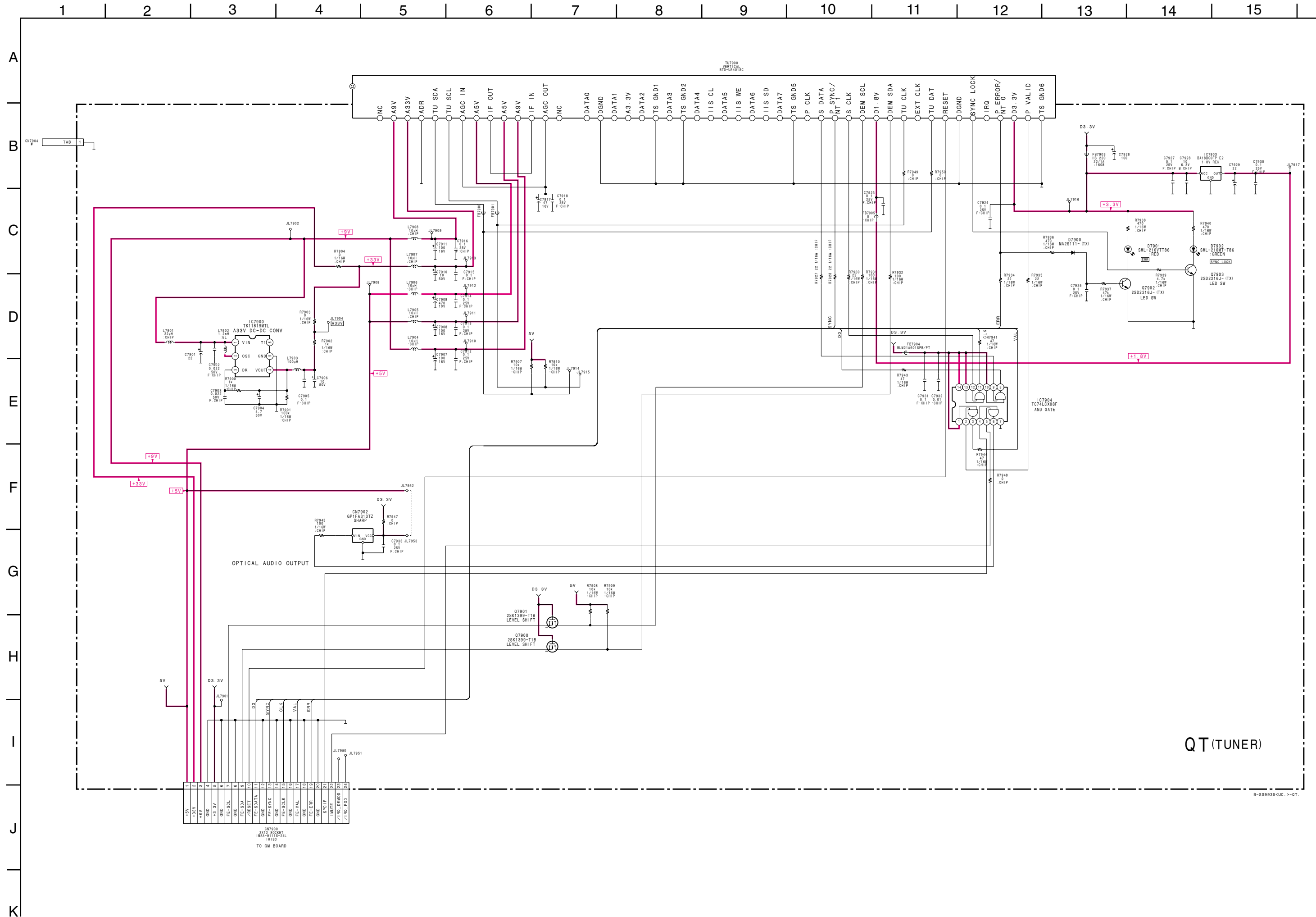


<COMPONENT SIDE>



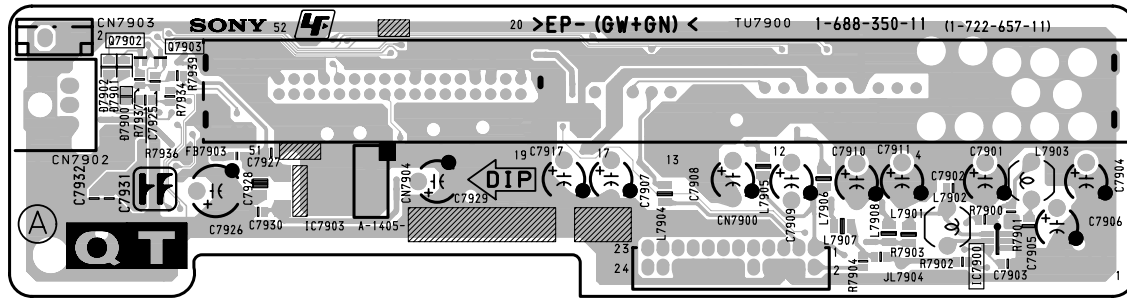
<CONDUCTOR SIDE>

(9) Schematic Diagram of QT Board

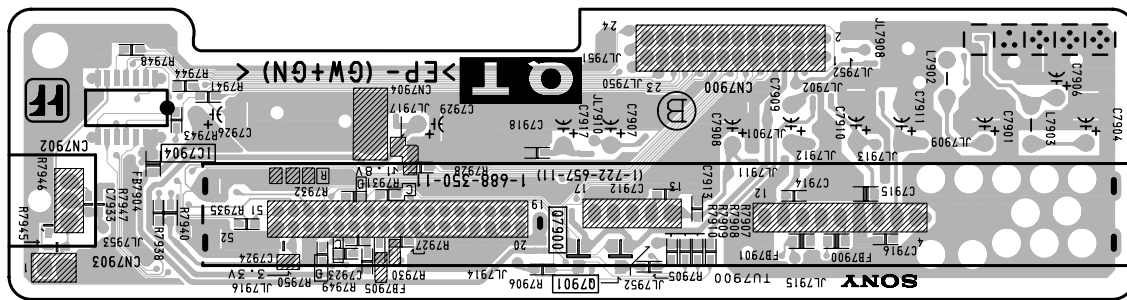


QT [TUNER]

— QT BOARD —

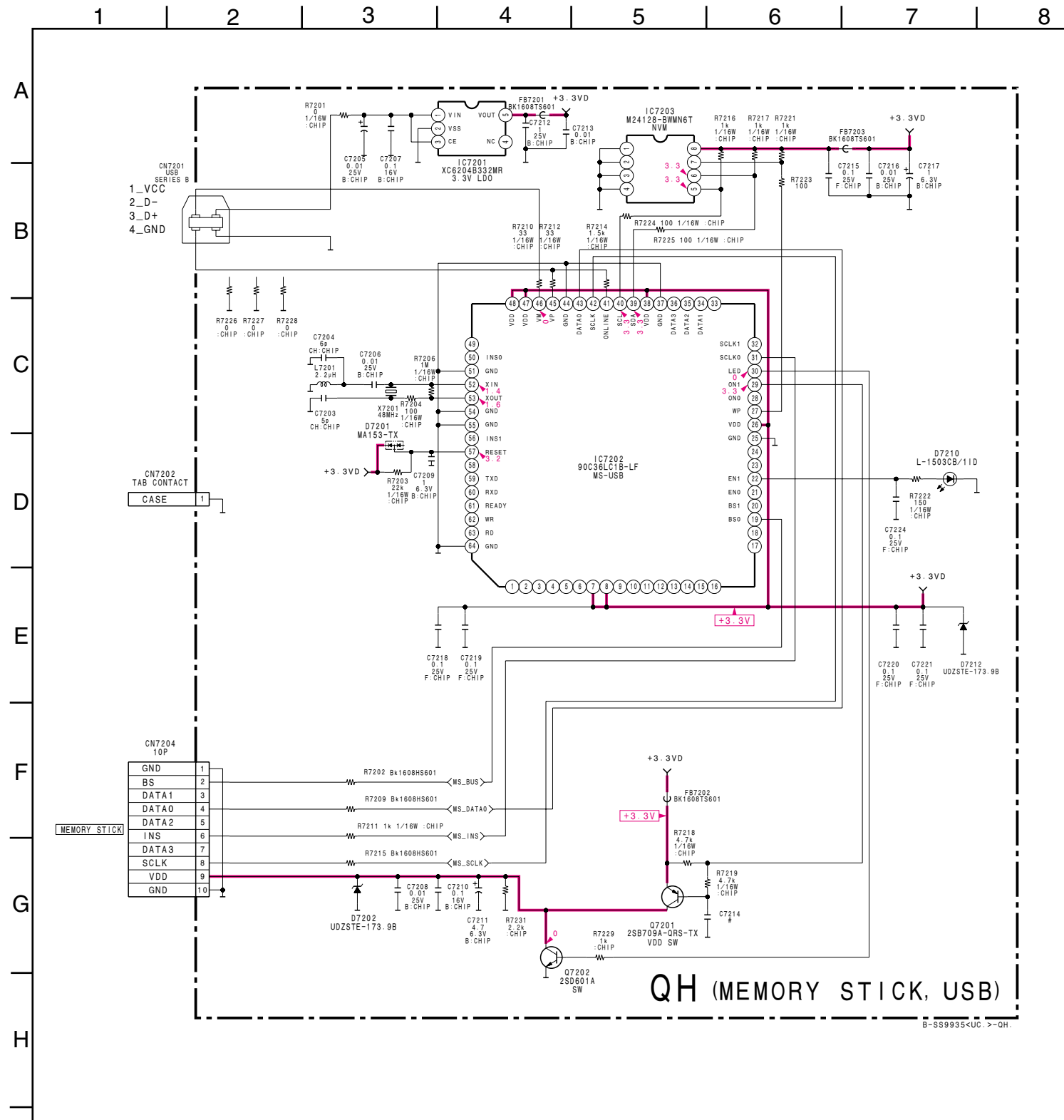


<COMPONENT SIDE>



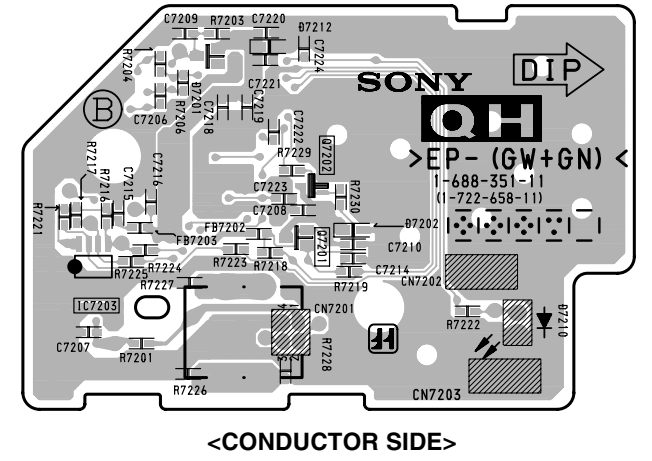
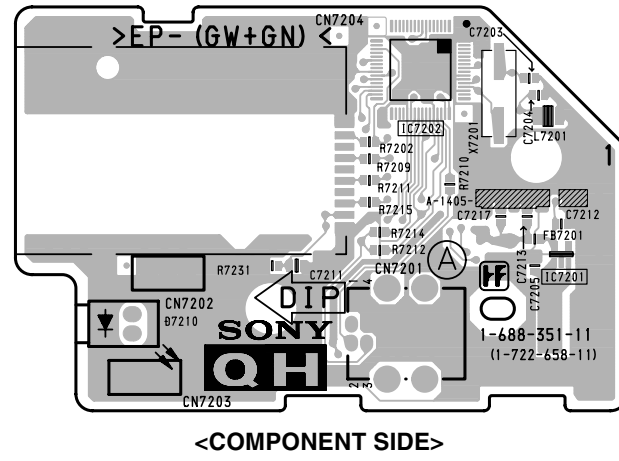
<CONDUCTOR SIDE>

(10) Schematic Diagram of QH Board

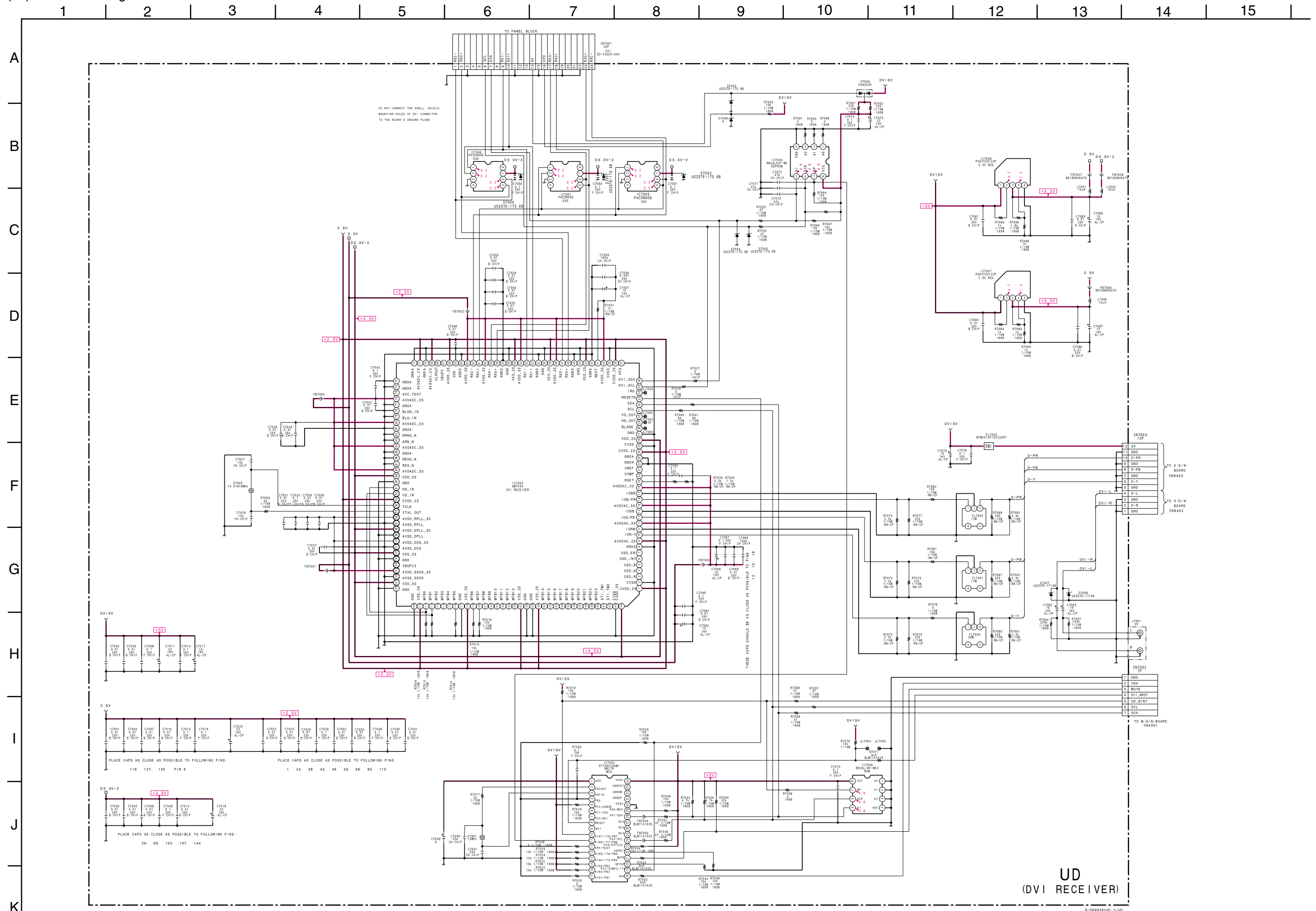


QH [MEMORY STICK, USB]

— QH BOARD —



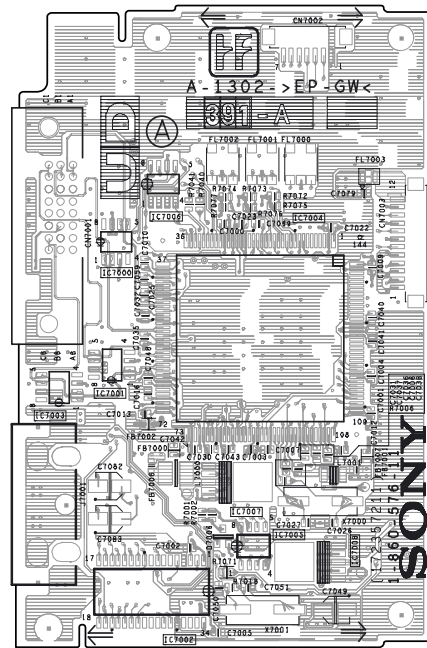
(11) Schematic Diagram of UD Board



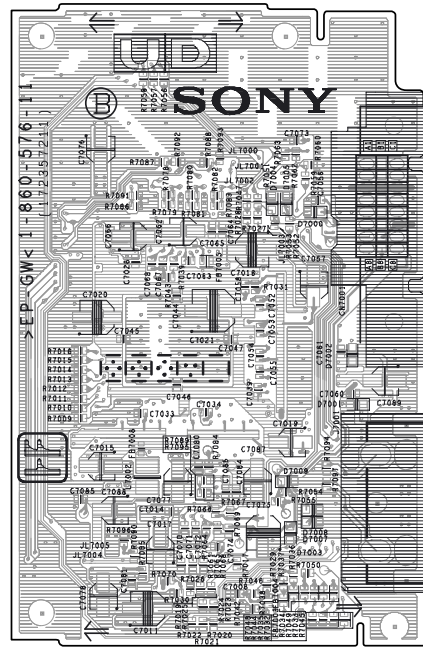
UD

[DVI RECEIVER]

— UD BOARD —



<COMPONENT SIDE>

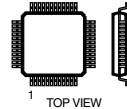


<CONDUCTOR SIDE>

3-5. SEMICONDUCTORS

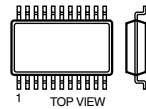
IC

AK4114VQ-L
CXA2171AQ-T6
TAS5001PFBR



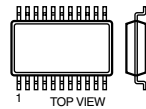
48Pin QFP

AK4351VT
AK5380VT-E2
M52055FP
MAX1644EAE-TG074
MAX1809EEE+TG068
SN65LVDS1050PWR
SN74CBTLV3257PWR
SN74LV4052APWR
TC74LVX4053FT(EL)



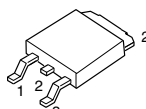
16Pin SOP

AK4524
AK4524-TP

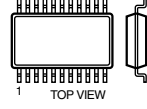


28Pin SOP

BA18BC0FP-E2
NJM2391DL1-33(TE1)

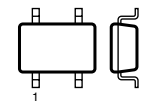


BA8274F-E2
BR24L02F-WE2
BR24L16F-WE2
CS4335-KSZR
IMISM560BZD
IRU3037CS
LM3526MX-H
LM75CIMX-3
LMH6658MMX/J5000172
M24128-BWMN6T
M24128-BWMN6T(A)
M24C04-WMN6T(A)
M24C64-WMN6T(B)
M25P10-AVMN6T
NJM2903V(TE2)
NJM4558M-TE2
NJM4558V-TE2
PACDN006S
SN65LVDS179DGKR
SN74LVC2G00DCUR
SN74LVC2G08DCUR
TC4W53FU
TC4W53FU(TE12R)
TC75W58FK(TE85R)
UPC4558G2
UPC4558G2-T2



8Pin SOP

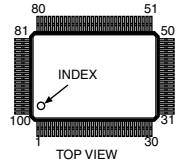
BD4729GTR
NJM2370U10-TE2
NJM2870F18(TE2)
PST3629NR
PST3629UL
PST9145NL
PST9220NL
PST9225NL
R3112N221A-TR-FA
SC7S04F
SN74CBTLV1G125DCKR
TC7S00FU(TE85R)
TC7S04F(TE85R)
TC7SA00FU(TE85R)
TC7SET32FU(TE85R)
TC7SZ02FU(TE85R)
TC7SZ08FU(TE85R)
TC7SZ126FU(TE85R)
TPS3823-33DBVR
XC6204B332MR
XC6209B182MR



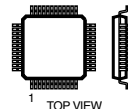
5Pin CHIP

BD4729GTR
NJM2370U10-TE2
NJM2870F18(TE2)
PST3629NR
PST3629UL
PST9145NL
PST9220NL
PST9225NL
R3112N221A-TR-FA
SC7S04F
SN74CBTLV1G125DCKR
TC7S00FU(TE85R)
TC7S04F(TE85R)
TC7SA00FU(TE85R)
TC7SET32FU(TE85R)
TC7SZ02FU(TE85R)
TC7SZ08FU(TE85R)
TC7SZ126FU(TE85R)
TPS3823-33DBVR
XC6204B332MR
XC6209B182MR

BU2374FV-E2
HD74LV4066ATEL
LM2901M
NJM2901M-TE2
SN74LV08APWR
SN74LV125APWR
SN74LV4066APWR
TC74LCX08F(EL)
TC74LCX125FT(EL)
TC74LCX74FT(EL)
TC74LVX08FT(EL)
TC74LVX125FT(EL)
TC74LVX74FT(EL)
TC74VHCT125AFT(EL)
TLC2933IPWR-12

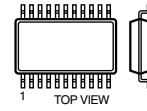


GM7030-H

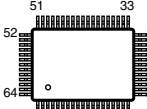


144Pin QFP

CXA2069Q
NJW1149

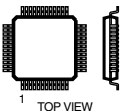


14Pin SOP



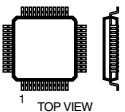
TOP VIEW

CXD2097BQ



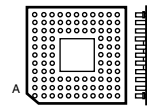
208Pin QFP

CXD3802BQ
CXD9690Q



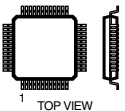
240Pin QFP

CXD9707DGP



352Pin PGA

CXD9740GA

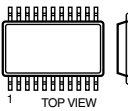


256Pin QFP

CXP964032-003R
K4D263238F-UC50T
MB94918RPF-G-166-BND

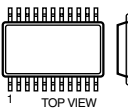
GM7030-H

HY57V281620HCT-H-TR
MT48LC8M16A2TG-75-Y15WTR
MT48LC8M16A2TG-75-Y95WT



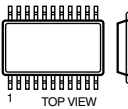
54Pin SOP

IC42S16101-7TG(T&R)
MSM56V16160F-10TS-K
MSM56V16160F-8T3FM1



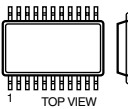
50Pin SOP

K4H281638E-TCB3
MT46V8M16P-6T



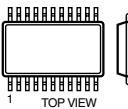
66Pin SOP

K4S643232F-TC60T
K4S643232F-UC60T
MT48LC2M32B2TG-6-Y94W



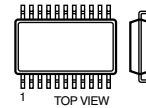
86Pin SOP

K9F2808U0C-PCB0T
K9F2808U0C-PIB0T
MBM29LV800TA-70PFTN-DE2LH
SN74CBTLV16210GR
TC58DVM72A1TG00



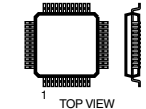
48Pin SOP

MB88141APF-ER
MCZ3001U
MCZ3001UB
PCA9555DB-118



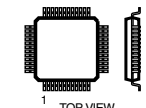
24Pin SOP

MB91306RPFV-G-BND-E1



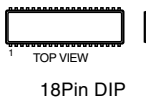
120Pin QFP

MB94P918PF-G-166A
TFP501PZP
TFP510PAP



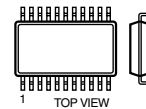
100Pin QFP

MCZ3001D



18Pin DIP

MD3221N
TAS5101DAPR



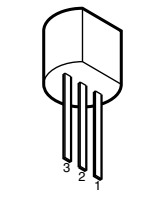
32Pin SOP

MIP2C20MP1SO

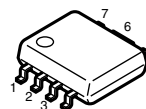


8Pin DIP

MM1431ATT

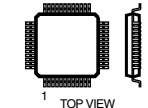


MM1563DFBE
MM1565AFBE
PQ20WZ5U



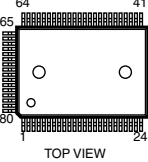
20Pin SOP

NJU26103FR1

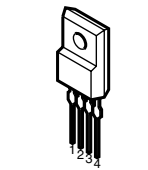


32Pin QFP

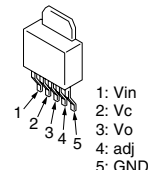
NJW1106FC2



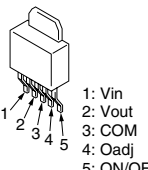
PQ05RD11
PQ05RD21
PQ09RD21



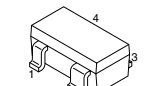
PQ070XZ01ZP
PQ07VZ01ZP



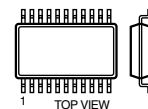
PQ1CZ41H2ZPH



S-80828CNNB-B8NT2G

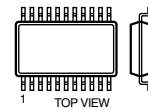


ST72631K4M1/NNLTR



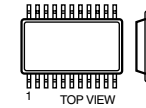
34Pin SOP

TC74LCX273FT(EL)



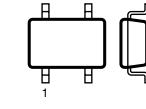
20Pin SOP

THC63LVDF84B-T



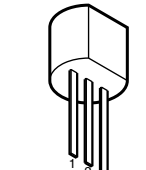
56Pin SOP

TK11819MTL

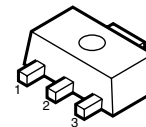


6Pin CHIP

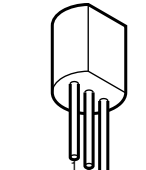
TL431BCLPRA



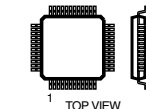
TL431CPK-E2



UPC1093J-1-T



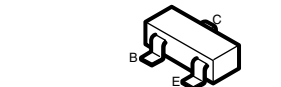
90C36LC1B



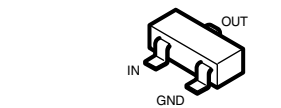
64Pin QFP

TRANSISTOR

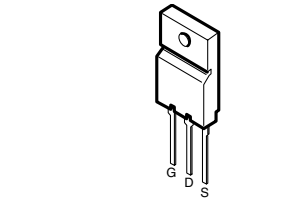
DTA114EKA-T146
DTA114EUA-T106
DTA143EK
DTA143EKA-T146
DTC114EE
DTC114EET1
DTC114EE-TL
DTC114EUA-T106
DTC144EKA
DTC144EKA-T146
DTC144EUA-T106
MSB1218A-RT1
MSD1819A-RT1
MSD601-RT1
MUN2213T1
PDT144EK-115
UN2213
2PA1576R-115
2PB709AR-115
2PC4081R-115
2PD601AR-115
2SA1037AK-T146-QR
2SA1037AK-T146-R
2SA1162-G
2SA1226-E4
2SA1226-T1E3E4
2SA1576A-T106-QR
2SB709A-QRS-TX
2SB709A-R-TX
2SC1623-L5L6
2SC2412K-T-146-QR
2SC4081-R
2SC4081T106R
2SC4178-F13F14-T1
2SC4178-F14
2SD2114K
2SD2114KT146
2SD2216J-QR(TX).SO
2SD601A-Q
2SD601A-QRS-TX
2SD601A-Q-TX
2SD601A-R-TX
2SD601A-S



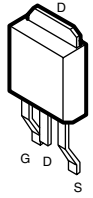
DTC114EKA-T146
DTC114EU
DTC114TUA-T106



IRFIB7N50A-LF31



IRFR5305TR

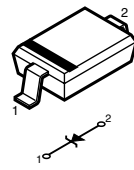


2SD774-34
2SD774-T-34

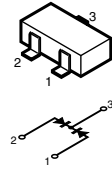


DIODE

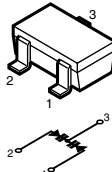
BAS316-115
EP05FA20
EP05Q04-TE8L3
MM3Z10VT1
MM3Z12VT1
MM3Z13VT1
MM3Z15VT1
MM3Z18VT1
MM3Z20VT1
MM3Z22VT1
MM3Z33VT1
MM3Z4V3ST1
MM3Z4V7ST1
MM3Z5V6ST1
MTZJ-T-77-36A
02DZ3.9-Z(TPH3)



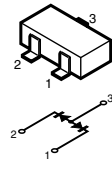
DAN202K
DAN202K-T-146
M1MA152WK-T1



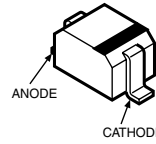
DAN202U
DAN202UT106
1PS184-115



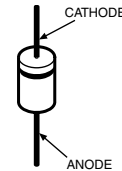
DAP202K
DAP202K-T-146
M1MA152WA-T1
MA132WA
MA132WA-TX



DTZ10B
HRU0103ATRF
HZU11B1TRF
MA111-TX
MA113-(TX)
MMDL914T1
RD3.9SB2
RD3.9SB2-T1
RD5.6SB-T1
RD6.8SB2-T1
UDZSTE-1710B
UDZSTE-1715B
UDZSTE-1727B
UDZSTE-173.6B
UDZSTE-173.9B
UDZSTE-1730B
UDZSTE-175.6B
UDZSTE-176.2B
UDZSTE-177.5B
UDZSTE-178.2B
UDZ-TE-17-3.9B
UDZ-TE-17-7.5B
UDZ-TE-17-8.2B
1SS355TE-17



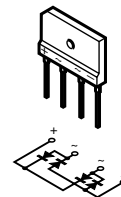
D1NL20U-TR



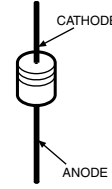
D10SC6M
D10SC6M-4022
D5SC4M



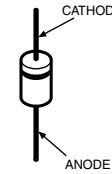
D10XB60
D10XB60S
D2SB60A-F04
D3SB60F3



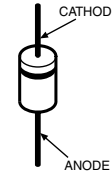
D2L20U
D2L20U-F
D2L20U-TA



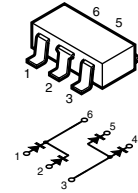
D3S6M-F
ERA22-08
ERA22-08TP3



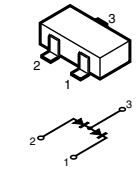
ERA22-06AVRBT
ERA22-08KFLB
UF4005
UF4005PKG23
UZ-2.0BS-TP
10ERB20-TB3
10ERB20-TB5



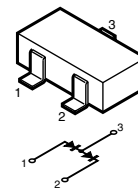
HN1D03FU-TE85L
HN1D03FU-TE85R



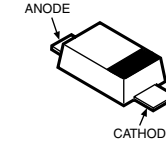
MA153-TX
1PS181-115
1SS226



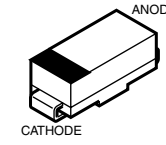
MBRS140T3



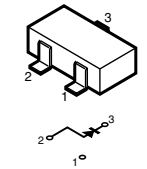
M1FM3
MA2S111
MA2S111-TX



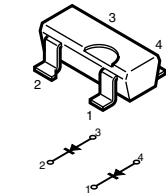
PTZ-TE25-3.9B
PTZ-TE25-5.6B
RB050L-40TE25



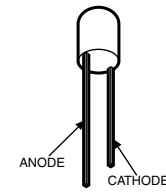
02CZ6.8-TE85L



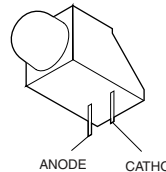
1SS383(T5RSONY1)



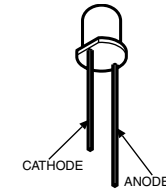
E1L49-AW0C2-01
SELU1E50CM



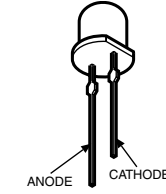
L1503CB/ID



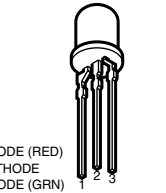
L-53SRD-H



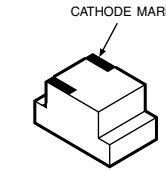
NSPW515BS-A0ST



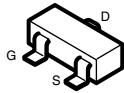
SMLU12D16W



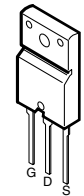
SML-210MT-T86
SML-210VTT86



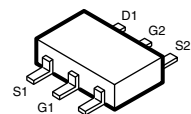
SI2301DS-T1



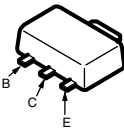
SPA20N60C3E8154



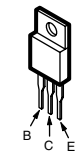
SSM6N15FU(TE85R)



2SB1122-S
2SB1122-ST-TD-E
2SD1615A-GP
2SD1621-ST
2SD1621ST-TD-E
2SD874A-R-TX
2SK2036(TE85L)



2SD2012(SONY.GR)



SECTION 4 EXPLODED VIEWS

NOTE:

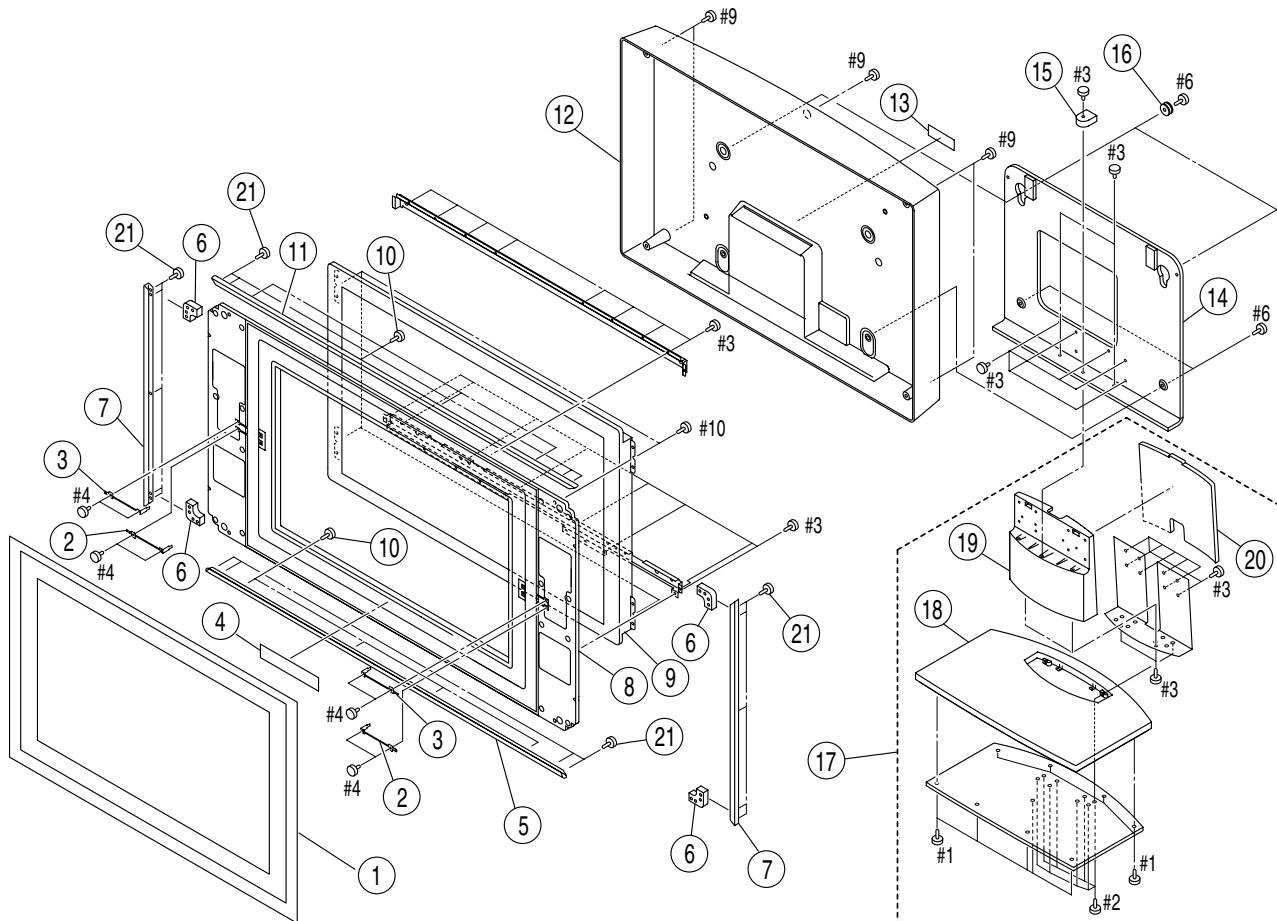
The components identified \triangle marked are critical for safety.
Replace only with the part number specified.

Les composants identifiés par la marque \triangle sont critiques pour la sécurité.
Ne les remplacer que par une pièce portant le numéro spécifié.

- Items with no part number and no description are not stocked because they are seldom required for routine service.
- The construction parts of an assembled part are indicated with a collation number in the remark column.
- Items marked " * " are not stocked since they are seldom required for routine service. Some delay should be anticipated when ordering these items.

4-1. DISPLAY UNIT (LDM-3210)

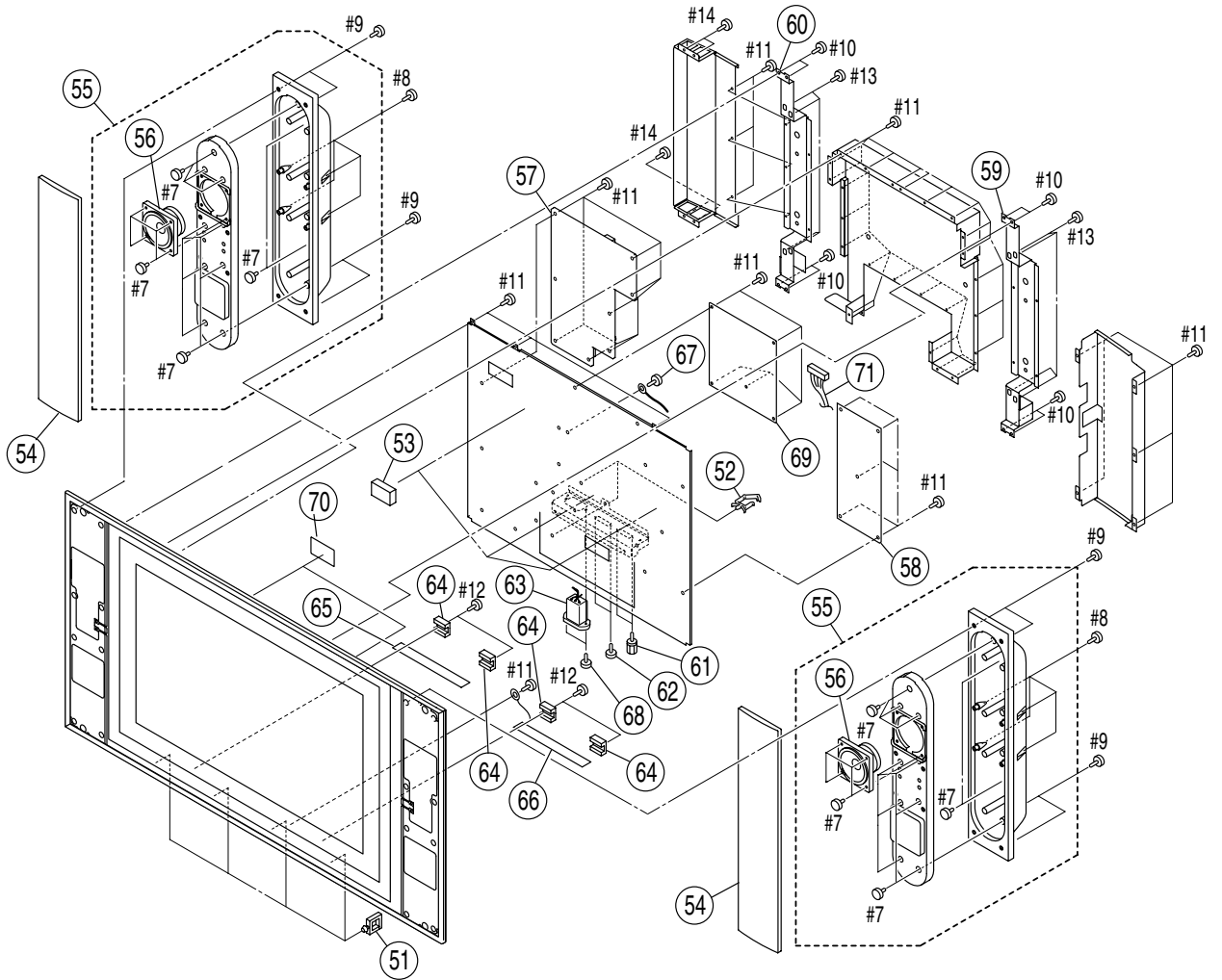
4-1-1. DISPLAY UNIT-1



REF. No.	PART No.	DESCRIPTIONRE	MARK
1	4-099-703-01	PANEL, 32 FRONT	
2	4-099-659-02	SPEAKER TERMINAL, 32 W	
3	4-099-661-02	SPEAKER TERMINAL, 32 S	
4	* 4-092-730-02	SHEET, LIGHT INTERCEPTION	
5	* 4-099-654-01	FRAME 32 (H)	
6	* 4-099-668-01	JOINT, CORNER	
7	* 4-099-651-02	FRAME 32 (V)	
8	X-4043-127-1	32S BEZEL SUB ASSY	
9	1-805-538-11	LCD PANEL	
10	4-091-675-01	SCREW, FIXED	
11	* 4-099-654-11	FRAME 32 (H)	
12	4-099-669-11	32 COVER REAR	
13	* 4-101-424-01	PLATE, MODEL NAME	
14	* X-4042-812-1	STAND BRACKET ASSY	
15	* X-4042-825-2	STAND SPACER ASSY	

REF. No.	PART No.	DESCRIPTIONRE	MARK
16	4-091-681-01	HOOK	
17	X-4042-478-4	STAND ASSY	18-20
18	* 4-099-679-02	BASE, STAND	
19	* 4-099-677-03	SUPPORT, STAND	
20	* 4-099-678-02	COVER, STAND SUPPORT	
21	4-100-990-01	SCREW, FRAME	
#1	7-685-261-19	SCREW +KTP 4X12 TYPE2 NON-SLIT	
#2	7-685-262-11	SCREW +KTP 4X14 TYPE2 NON-SLIT	
#3	7-685-660-79	SCREW +BVTP 4X10 TYPE2 IT-3	
#4	7-685-134-19	SCREW +P 2.6X8 TYPE2 NON-SLIT	
#6	7-682-973-49	SCREW +PSW 5X16	
#9	7-685-663-79	SCREW +BVTP 4X16 TYPE2 IT-3	
#10	7-685-882-09	SCREW +BVTT 4X10 (S)	

4-1-2. DISPLAY UNIT-2

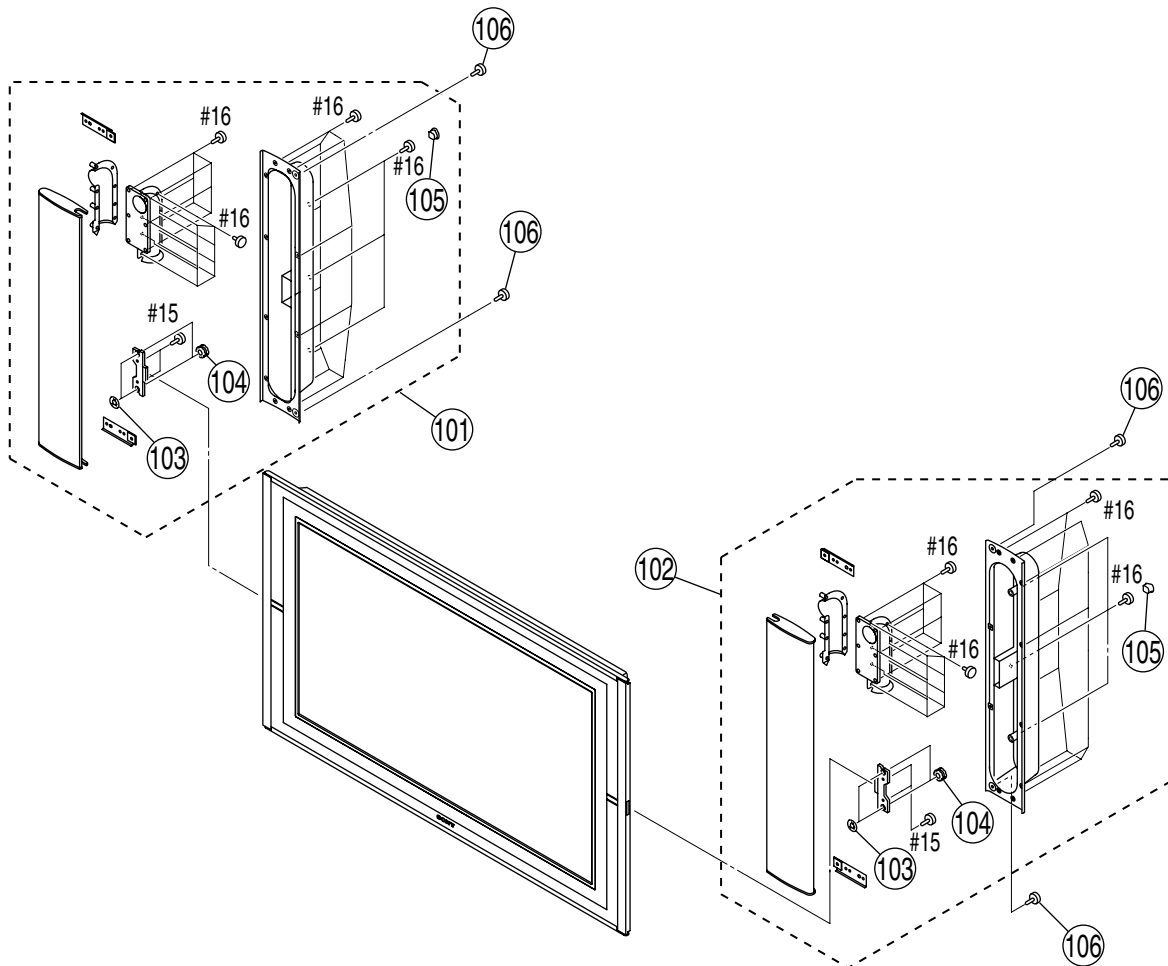


REF. No.	PART No.	DESCRIPTIONRE	MARK
51	3-057-723-01	CLAMP, ROCKING (MINIATURE)	
52	3-919-255-01	HOLDER, PC BOARD	
53	* 4-101-198-01	CUSHION, LCD	
54	X-4042-475-1	GRILL ASSY, 32 SPEAKER	
55	A-1605-802-B	SPEAKER ASSY	56
56	1-825-630-12	LOUDSPEAKER (8CM)	
57	* A-1302-659-C	G1 BOARD, COMPLETE	
58	* A-1405-907-C	K BOARD, MOUNT	
59	* 4-101-417-01	MAIN ARM, S32 RIGHT	
60	* 4-101-420-01	MAIN ARM, S32 LEFT	
61	4-635-966-01	SCREW (HEX)	
62	4-662-693-03	GRIP, M2.6 S HEAD (EG)	
63	1-251-382-21	INLET, AC 3P(WITH NOISE FILTE)	
64	4-092-867-01	PWB-R BRKT	
65	* A-1405-906-A	R2 BOARD, MOUNT	

REF. No.	PART No.	DESCRIPTIONRE	MARK
66	* A-1405-905-B	R1 BOARD, MOUNT	
67	4-389-025-01	SCREW (M4) (EXT TOOTH WASHER)	
68	4-052-345-01	SCREW, (3X8) (+K), TAPPING	
69	A-1302-861-A	DES BOARD, COMPLETE	
70	* 4-100-610-01	SPACER, LCD UPPER	
71	1-900-281-36	LVDS CONNECTOR 30P	
#7	7-685-661-79	SCREW +BVTP 4X12 TYPE2 IT-3	
#8	7-685-664-79	SCREW +BVTP 4X20 TYPE2 IT-3	
#9	7-685-663-79	SCREW +BVTP 4X16 TYPE2 IT-3	
#10	7-685-882-09	SCREW +BVTT 4X10 (S)	
#11	7-685-871-01	SCREW +BVTT 3X6 (S)	
#12	7-685-648-79	SCREW +BVTP 3X12 TYPE2 IT-3	
#13	7-682-973-11	SCREW +PSW 5X10	
#14	7-685-860-09	SCREW +BVTT 2.6X4 (S)	

4-2. DISPLAY UNIT (LDM-4210)

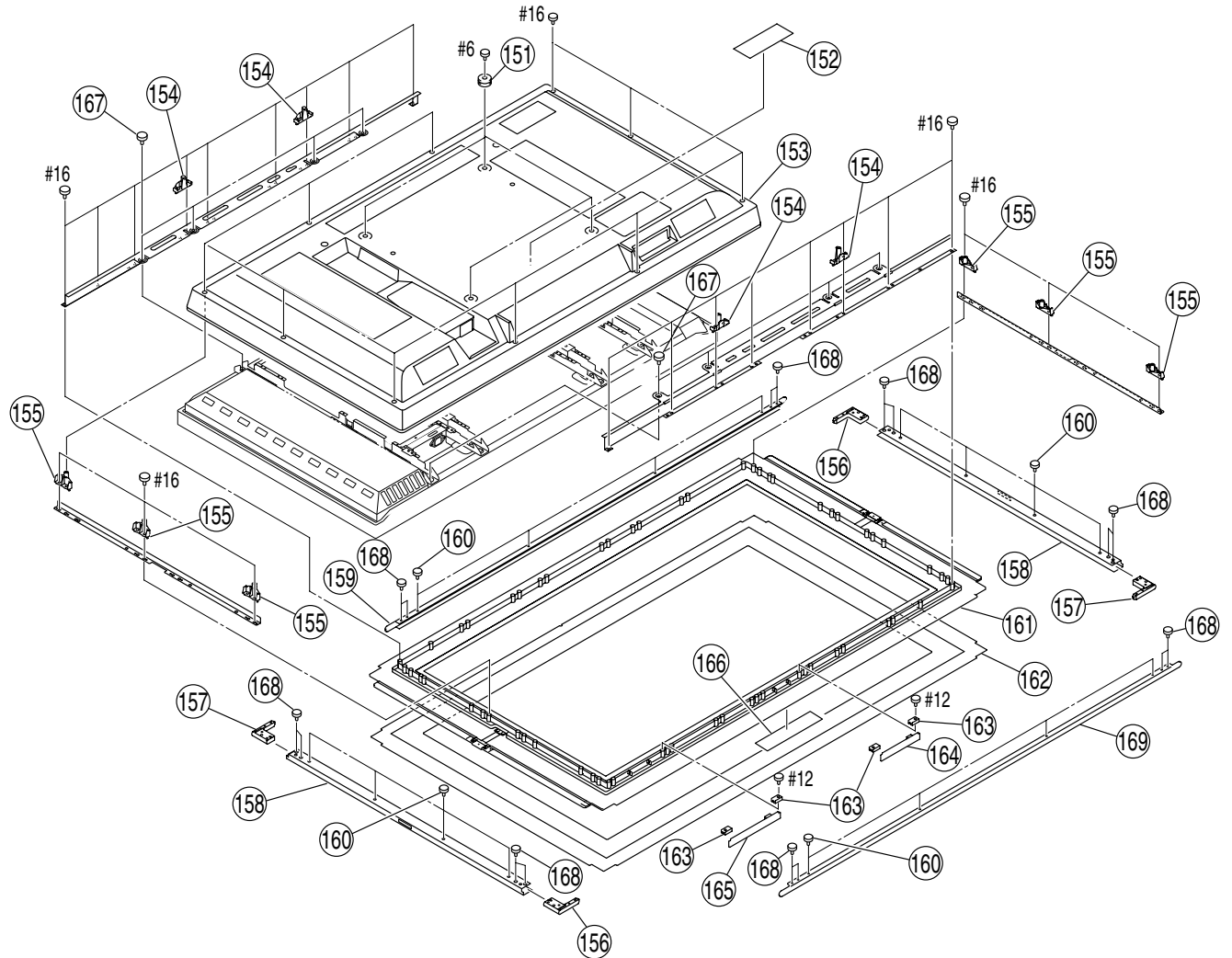
4-2-1. DISPLAY UNIT-1



REF. No.	PART No.	DESCRIPTIONRE	MARK
101	A-1606-044-C	SPEAKER (L) ASSY	103-105
102	A-1606-045-C	SPEAKER (R) ASSY	103-105
103	4-100-505-01	FLAT, PUSH NUT (FOR MOLD SHANK)	
104	3-796-363-02	DAMPER,SY	
105	4-100-854-01	LID (SCREW 42)	
106	4-100-506-01	COIN SCREW (DIA.16)	

REF. No.	PART No.	DESCRIPTIONRE	MARK
#15	7-685-533-19	SCREW +BTP 2.6X6 TYPE2 N-S	
#16	7-685-661-19	SCREW +BVTP 4X12 TYPE2 N-S	

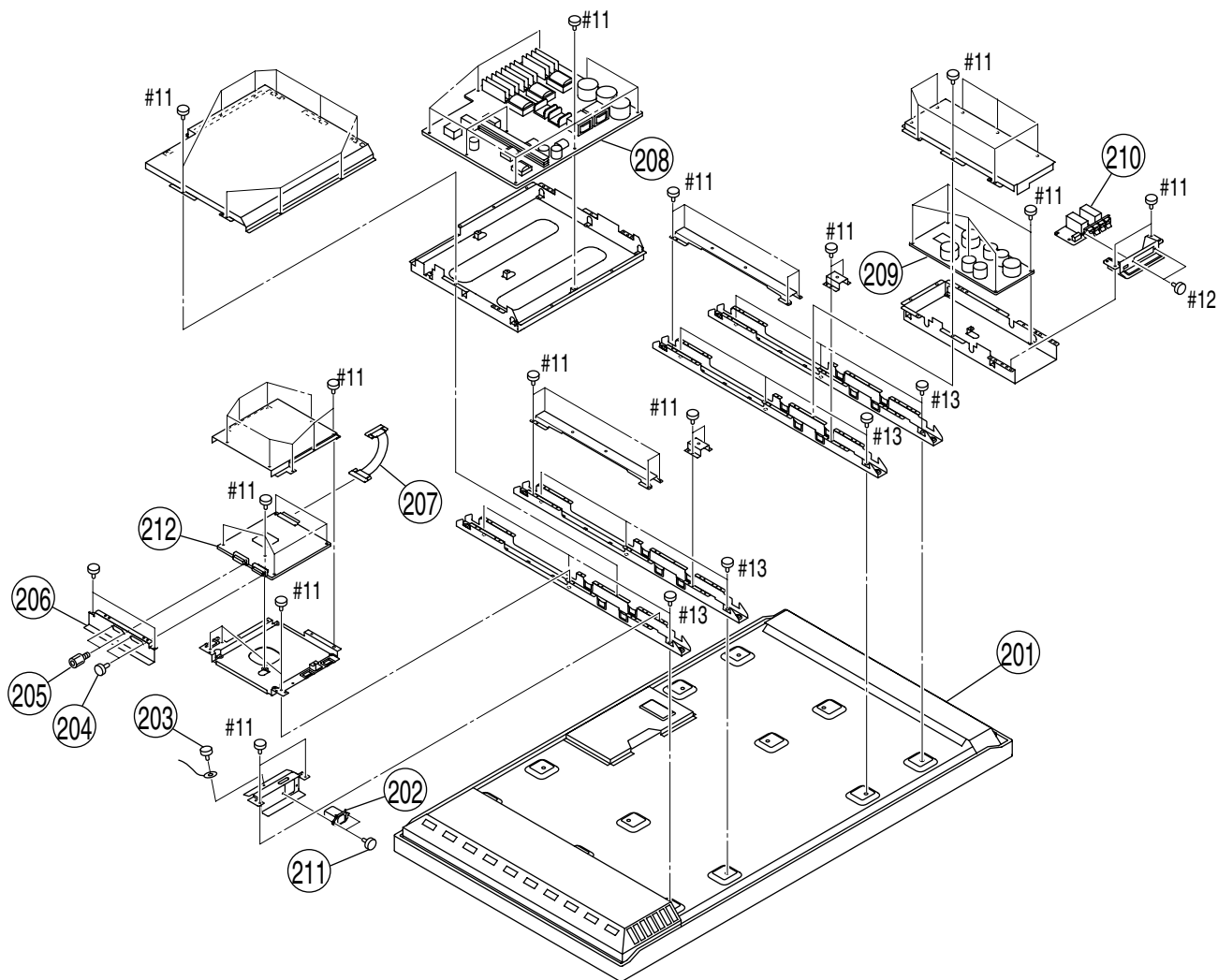
4-2-2. DISPLAY UNIT-2



REF. No.	PART No.	DESCRIPTIONRE	MARK
151	4-102-373-01	HOOK (42LCD)	
152	* 4-101-717-01	LABEL, MODEL NAME	
153	4-100-055-02	COVER (42), REAR	
154	4-100-056-02	HOLDER (42H), REAR COVER	
155	4-100-057-02	HOLDER (42V), REAR COVER	
156	4-100-376-02	BLOCK (42URBL), CORNER	
157	4-100-704-02	BLOCK (42ULBR), CORNER	
158	4-100-070-01	BAR (42V)	
159	4-100-069-01	BAR (42H)	
160	4-102-251-01	SCREW, FIXED	
161	A-1606-508-B	BEZEL (42) ASSY	
162	4-100-051-01	PANEL, FRONT	
163	4-092-867-01	PWB-R BRKT	
164	* A-1410-276-A	R4 BOARD, MOUNT	
165	* A-1410-275-A	R3 BOARD, MOUNT	

REF. No.	PART No.	DESCRIPTIONRE	MARK
166	* 4-092-730-02	SHEET, LIGHT INTERCEPTION	
167	3-703-249-01	SCREW, S TIGHT, +PTTWH 3X6	
168	4-052-345-01	SCREW, (3X8) (+K), TAPPING	
169	4-100-069-11	BAR (42H)	
#6	7-682-973-49	SCREW +PSW 5X16	
#12	7-685-648-79	SCREW +BVTP 3X12 TYPE2 IT-3	
#16	7-685-661-19	SCREW +BVTP 4X12 TYPE2 N-S	

4-2-3. DISPLAY UNIT-3

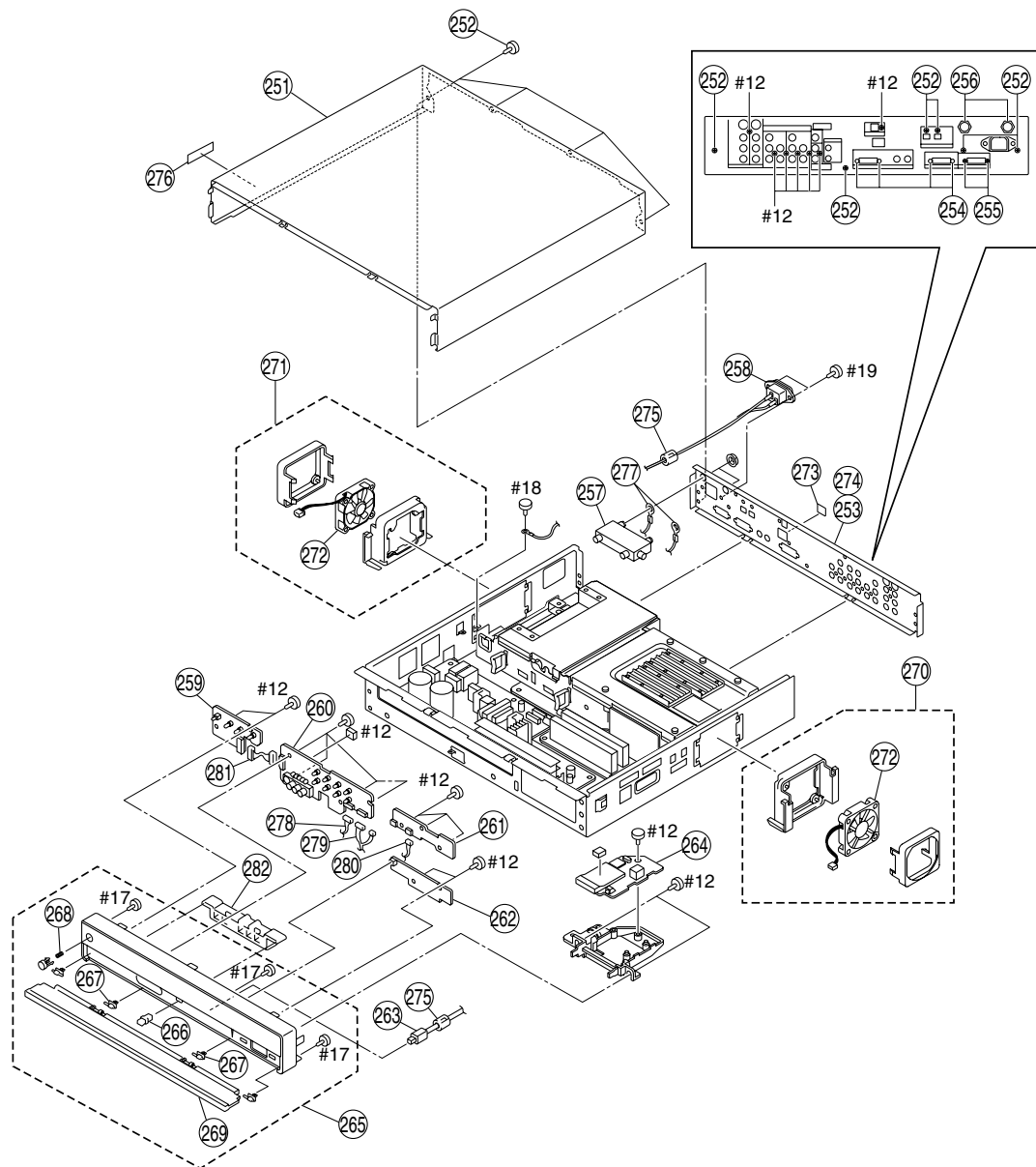


REF. No.	PART No.	DESCRIPTIONRE	MARK
201	1-805-521-11	LCD PANEL	
202	1-251-382-21	INLET, AC 3P(WITH NOISE FILTE)	
203	4-389-025-01	SCREW (M4) (EXT TOOTH WASHER)	
204	4-662-693-03	GRIP, M2.6 S HEAD (EG)	
205	4-635-966-01	SCREW (HEX)	
206	4-100-067-02	BRACKET, TERMINAL (42)	
207	1-900-281-36	LVDS CONNECTOR 30P	
208	* A-1302-867-A	G2 BOARD, COMPLETE	
209	* A-1410-280-A	K1 BOARD, MOUNT	
210	* A-1410-555-A	K2 BOARD, MOUNT	

REF. No.	PART No.	DESCRIPTIONRE	MARK
211	4-052-345-01	SCREW, (3X8) (+K), TAPPING	
212	A-1302-861-A	DES BOARD, COMPLETE	
#11	7-685-871-01	SCREW +BVTT 3X6 (S)	
#12	7-685-648-79	SCREW +BVTP 3X12 TYPE2 IT-3	
#13	7-682-973-11	SCREW +PSW 5X10	

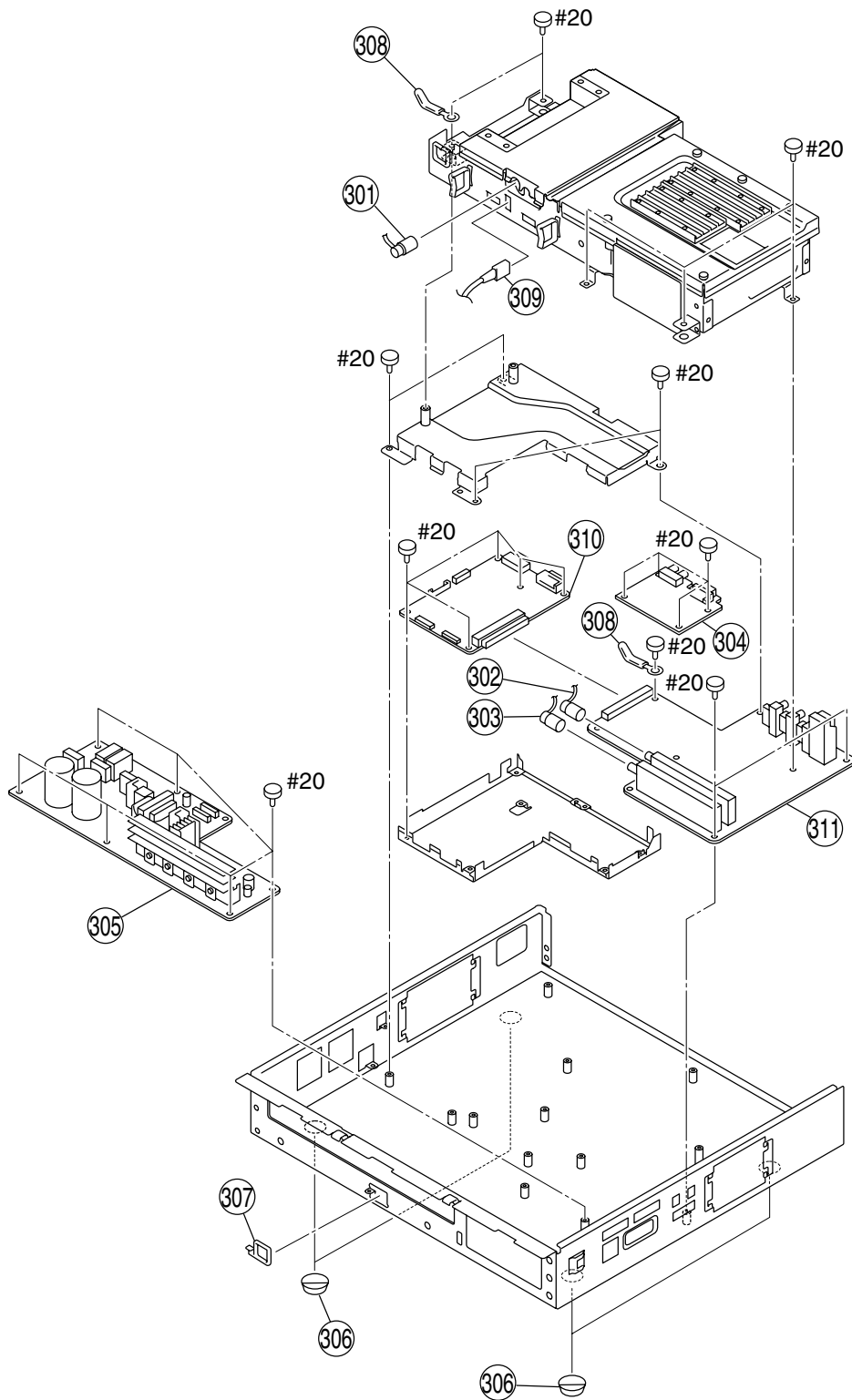
4-3. MEDIA RECEIVER UNIT (MBD-XBR950L)

4-3-1. MEDIA RECEIVER UNIT-1



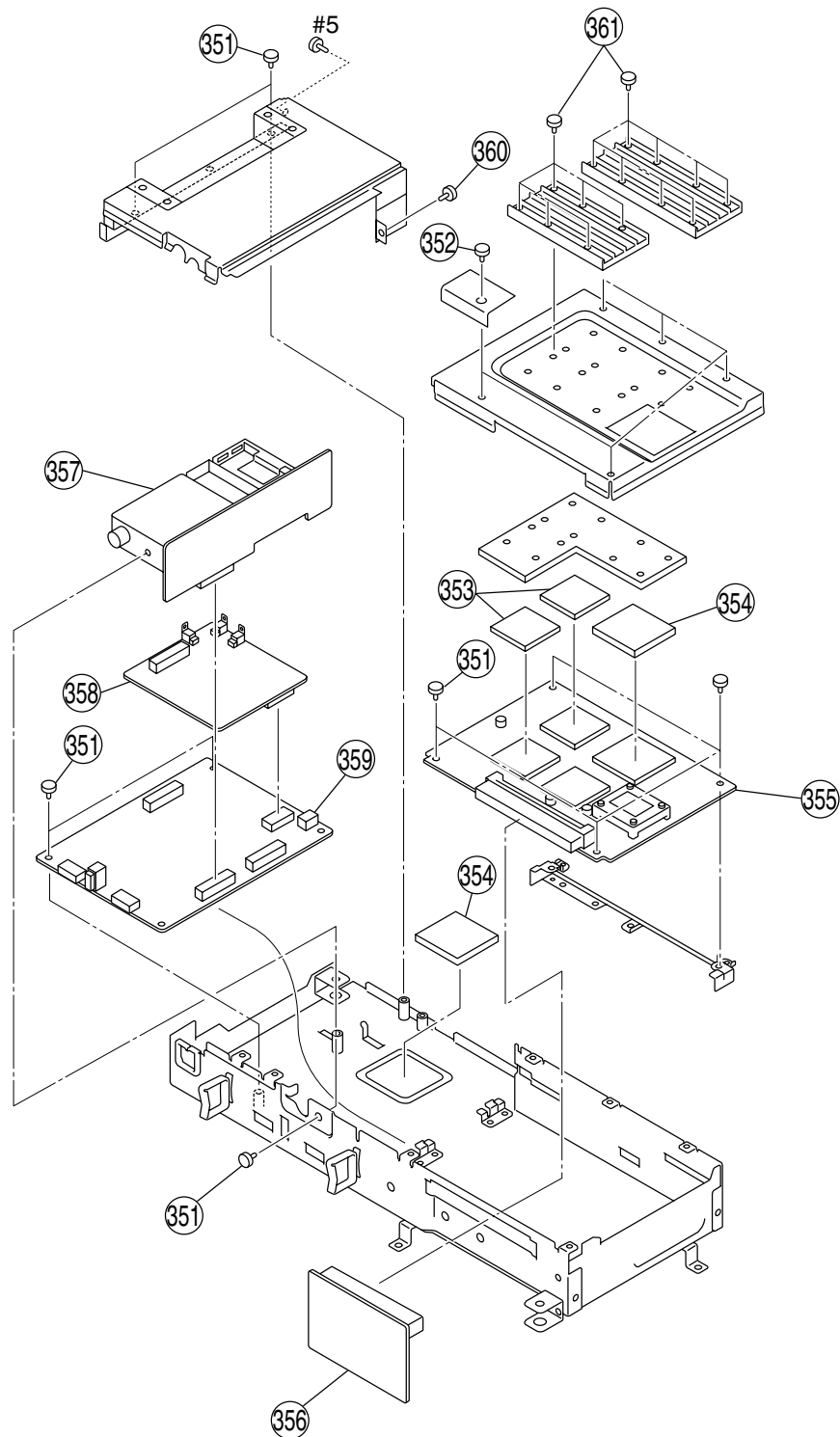
REF. No.	PART No.	DESCRIPTIONRE	MARK	REF. No.	PART No.	DESCRIPTIONRE	MARK
251	4-097-980-01	COVER, TOP		271	A-1604-707-A	FAN BLOCK (L) ASSY	272
252	4-080-960-02	SCREW M3, SW		272	1-787-088-11	D.C. FAN	
253	4-098-721-03	PANEL (U), REAR		273	* 4-097-978-01	COVER, CONNECTOR	
254	4-635-966-01	SCREW (HEX)		274	* X-4042-481-2	REAR PANEL ASSY	
255	4-662-693-03	GRIP, M2.6 S HEAD (EG)		275	1-469-241-11	CORE, FERRITE (RFC-8 BK)	
256	3-682-691-00	NUT, WASHER HEXAGON		276	* 4-098-724-01	LABEL, MODEL NAME	
257	1-786-183-13	SWITCH, ANTENNA		277	* 1-900-277-73	LUG CONNECTOR ASSY	
258	1-817-957-11	AC INLET		278	* 1-900-277-63	ZH CONNECTOR ASSY 12P	
259	* A-1405-754-A	H1 BOARD, MOUNT		279	* 1-900-282-66	XA CONNECTOR ASSY 20P	
260	* A-1405-755-A	H2 BOARD, MOUNT		280	* 1-900-277-69	ZH CONNECTOR ASSY 2P	
261	* A-1405-757-A	H4 BOARD, MOUNT		281	* 1-900-277-70	ZH CONNECTOR ASSY 9P	
262	* A-1405-756-A	H3 BOARD, MOUNT		282	* 4-099-174-01	SHADE LED (U/C)	
263	1-823-515-31	CORD WITH CONNECTOR (I-LINK)		#12	7-685-648-79	SCREW +BVTP 3X12 TYPE2 IT-3	
264	* A-1302-555-A	QH BOARD, COMPLETE		#17	7-685-647-79	SCREW +BVTP 3X10 TYPE2 IT-3	
265	X-4042-287-3	FRONT ASSY, PANEL	266-269	#18	7-682-961-01	SCREW +PSW 4X8	
266	4-042-192-01	CATCHER, PUSH		#19	7-682-348-09	SCREW +RK 3X8	
267	4-045-250-51	DAMPER					
268	4-066-103-01	SPRING, COMPRESSION					
269	X-4042-288-1	DOOR ASSY (U)					
270	A-1605-928-A	BLOCK (R) ASSY, FAN	272				

4-3-2. MEDIA RECEIVER UNIT-2



REF. No.	PART No.	DESCRIPTIONRE	MARK	REF. No.	PART No.	DESCRIPTIONRE	MARK
301	* 1-555-400-00	CABLE, PIN		306	* 4-097-982-01	FOOT (MR)	
302	* 1-555-716-61	CABLE, PIN		307	* 4-097-984-01	COVER, I-LINK	
303	* 1-558-745-11	CABLE, P-P		308	* 4-662-796-01	CLIP, COACHING	
304	* A-1302-391-A	UD BOARD, COMPLETE		309	* 1-827-984-11	CABLE, USB	
305	* A-1302-393-A	G BOARD, COMPLETE		310	A-1302-392-B	M BOARD, COMPLETE	
				311	* A-1405-752-C	A BOARD, MOUNT	
				#20	7-682-948-01	SCREW +PSW 3X8	

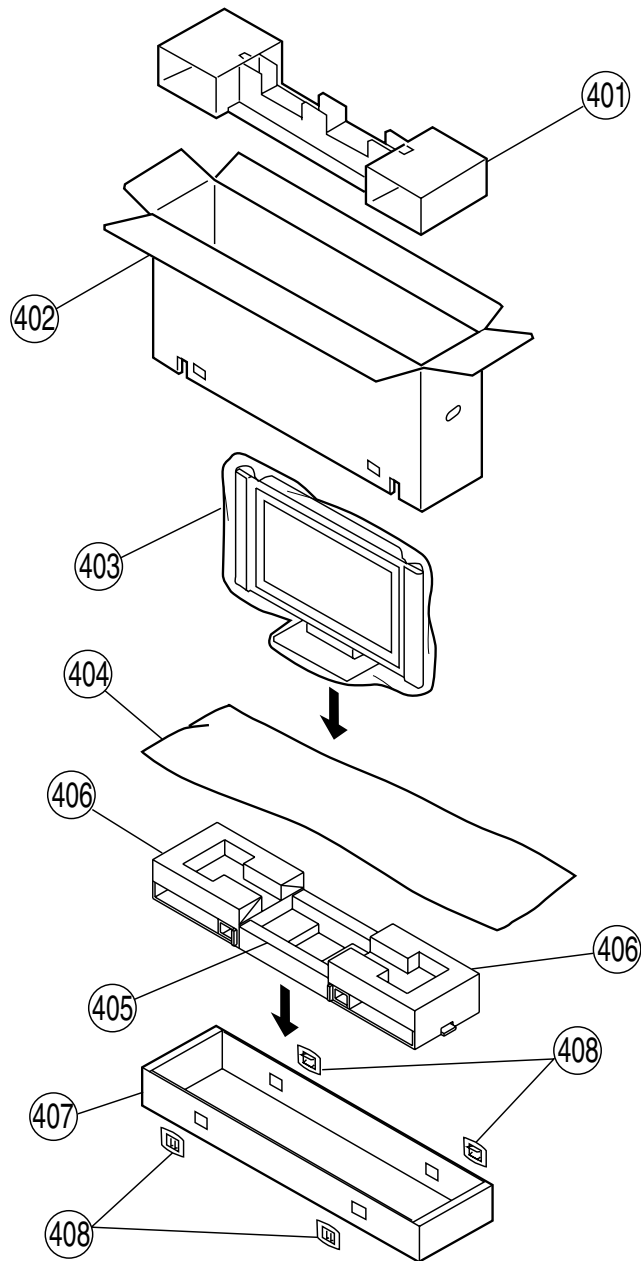
4-3-3. MEDIA RECEIVER UNIT-3



REF. No.	PART No.	DESCRIPTIONRE	MARK
351	4-382-854-51	SCREW (M3X6), P, SW (+)	
352	4-100-497-01	SCREW	
353	* 4-097-803-01	SHEET, RADIATION	
354	* 4-097-803-11	SHEET, RADIATION	
355	* A-1302-793-A	DIC2 BOARD, COMPLETE	

REF. No.	PART No.	DESCRIPTIONRE	MARK
356	* A-1405-753-B	IF BOARD, MOUNT	
357	* A-1302-541-A	QT BOARD, COMPLETE	
358	* A-1302-164-B	QI BOARD, COMPLETE	
359	A-1302-554-A	QM BOARD, COMPLETE	
360	4-101-122-01	SCREW M3.5 +PTP	
361	4-101-902-01	SCREW +PS M3X7	
#5	7-685-645-79	SCREW +BVTP 3X6 TYPE2 TT(B)	

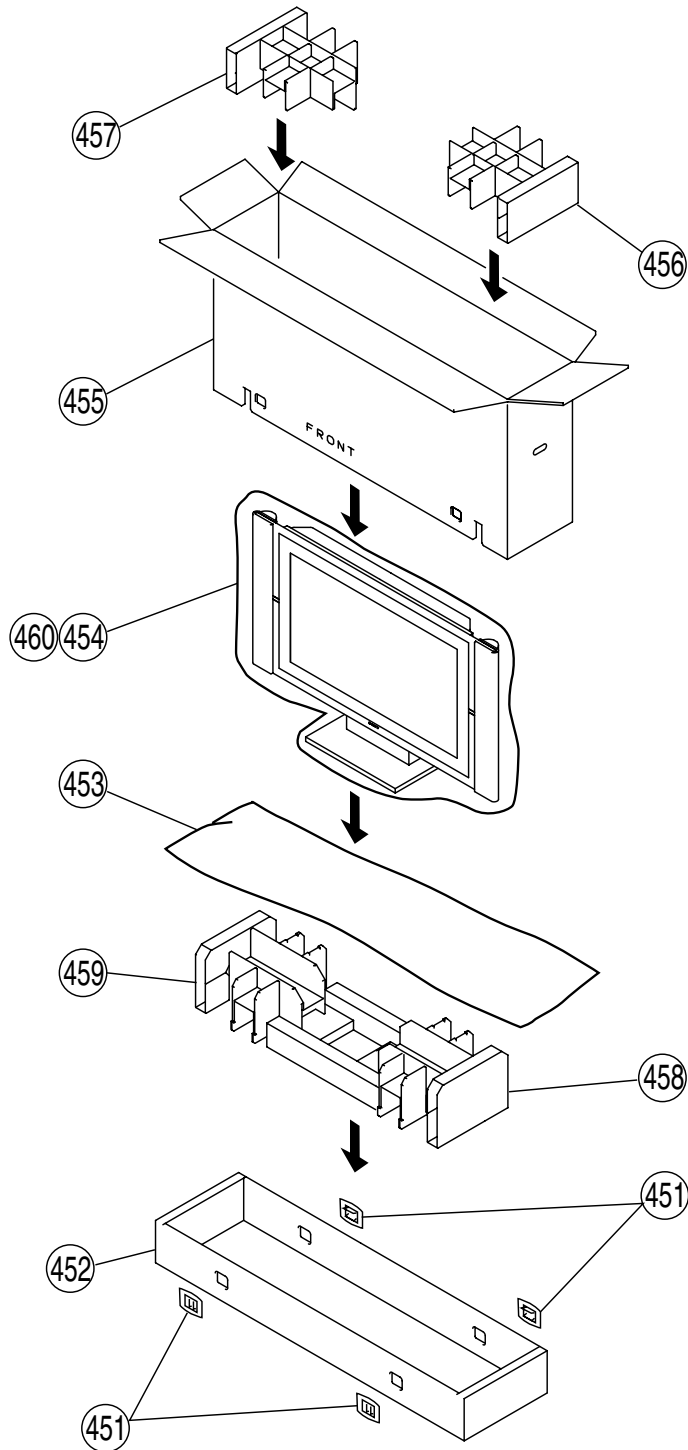
4-4. PACKING MATERIALS FOR DISPLAY UNIT (LDM-3210)



REF. No.	PART No.	DESCRIPTIONRE	MARK
401	* X-4042-734-1	CUSHION 32 UPPER ASSY	
402	* 4-101-415-01	INDIVIDUAL CARTON	
403	* 4-087-494-03	BAG, PROTECTION	
404	* 4-093-702-01	SHEET, PROTECTION	
405	* 4-100-947-01	CUSHION, 32U CENTER LOWER	

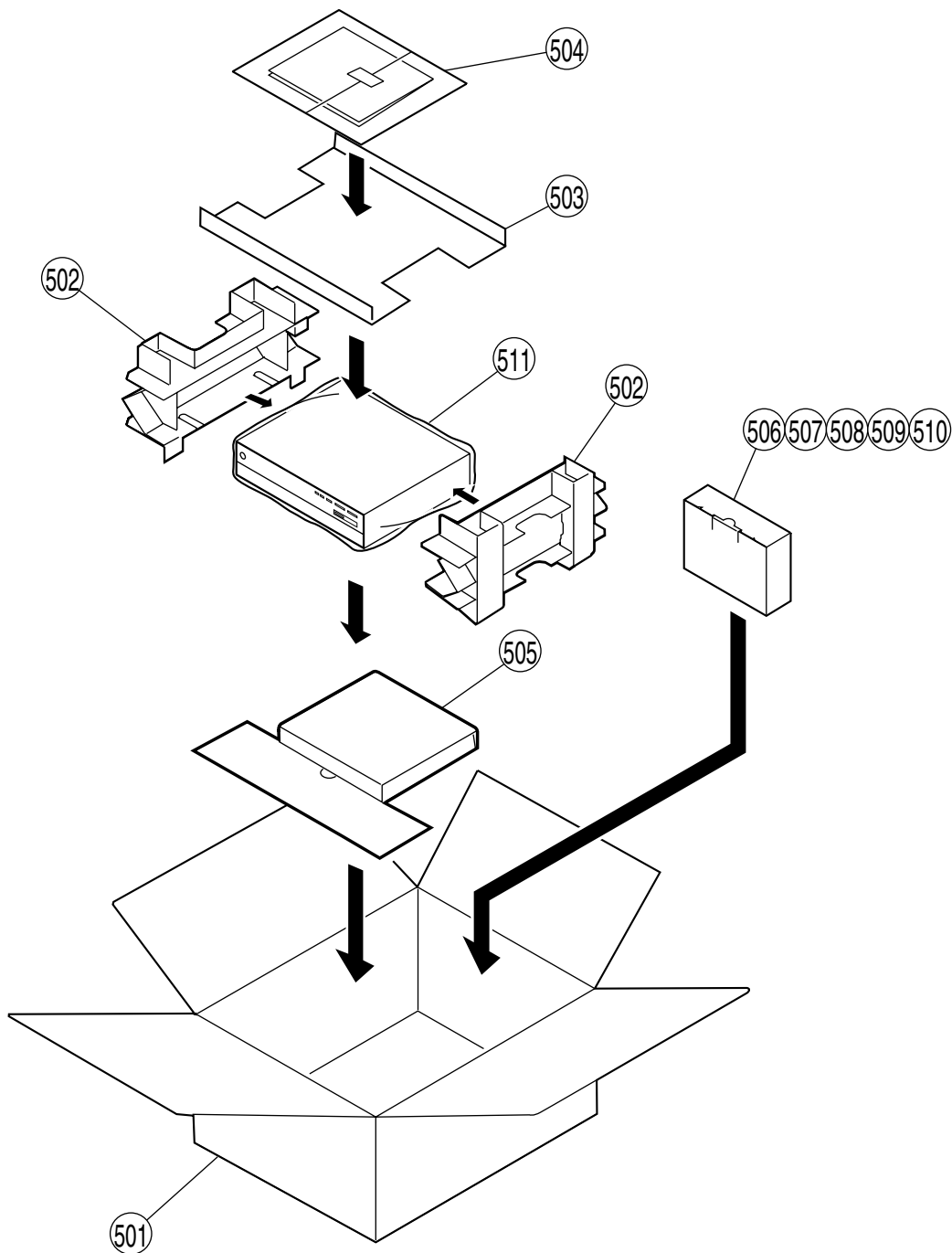
REF. No.	PART No.	DESCRIPTIONRE	MARK
406	* X-4042-735-1	CUSHION SIDE LOWER ASSY	
407	* 4-100-942-01	TRAY	
408	* 4-030-895-01	JOINT	

4-5. PACKING MATERIALS FOR DISPLAY UNIT (LDM-4210)



REF. No.	PART No.	DESCRIPTIONRE	MARK	REF. No.	PART No.	DESCRIPTIONRE	MARK
451	* 4-030-895-01	JOINT		456	X-4043-042-1	CUSHION (UPPER RIGHT ASSY)	
452	X-4043-046-1	TRAY 42U ASSY		457	X-4043-043-1	CUSHION (UPPER LEFT ASSY)	
453	* 4-102-316-01	SHEET, PROTECTION		458	X-4043-044-1	CUSHION (LOWER RIGHT ASSY)	
454	* 4-102-317-01	BAG, PROTECTION		459	X-4043-045-1	CUSHION (LOWER LEFT ASSY)	
455	4-102-451-01	INDIVIDUAL CARTON		460	4-100-840-03	CAP, SP TERMINAL	

4-6. PACKING MATERIALS FOR MEDIA RECEIVER UNIT (MBD-XBR950L)



REF. No.	PART No.	DESCRIPTIONRE	MARK
501	* 4-101-425-01	INDIVIDUAL CARTON	
502	* 4-098-004-01	CUSHION	
503	* 4-098-005-01	SPACER, (A)	
504	4-098-430-12	MANUAL, INSTRUCTION	
	4-098-430-22	MANUAL, INSTRUCTION	
	4-098-430-32	MANUAL, INSTRUCTION	
505	* 4-098-006-01	SPACER, (B)	

REF. No.	PART No.	DESCRIPTIONRE	MARK
506	* 4-098-007-01	BOX, ACCESSORY	
507	1-478-305-11	REMOTE COMMANDER (RM-Y1000)	
508	1-757-319-42	CABLE, COAXIAL (WITH (F) PLUG)	
509	△ 1-823-863-22	CORD, POWER	
510	1-824-831-13	CORD WITH CONNECTOR	
511	* 3-704-297-01	BAG (STANDARD), PROTECTION	

SECTION 5 ELECTRICAL PARTS LIST

NOTE:

The components identified \triangle marked are critical for safety.
Replace only with the part number specified.

Les composants identifiés par la marque \triangle sont critiques pour la sécurité.
Ne les remplacer que par une pièce portant le numéro spécifié.

When indicating parts by reference number, please include the board name.

- All variable and adjustable resistors have characteristic curve B, unless otherwise noted.
- Items marked " * " are not stocked since they are seldom required for routine service. Some delay should be anticipated when ordering these items.

RESISTORS

- All resistors are in ohms
- F : nonflammable

No.	#	Board	Type	△/*	Ref. No.	Part No.	Description	Remarks-1	Remarks-2
1		G1	CAPACITOR		C6000	1-161-964-91	CERAMIC 0.0047UF 250V	32XBR950	
2		G1	CAPACITOR		C6001	1-161-964-91	CERAMIC 0.0047UF 250V	32XBR950	
3		G1	CAPACITOR		C6002	1-119-892-51	CERAMIC 470PF 10.00% 250V	32XBR950	
4		G1	CAPACITOR		C6003	1-119-892-51	CERAMIC 470PF 10.00% 250V	32XBR950	
5		G1	CAPACITOR		C6004	1-165-529-31	MYLAR 0.22UF 10 0V	32XBR950	
6		G1	CAPACITOR		C6006	1-165-529-31	MYLAR 0.22UF 10 0V	32XBR950	
7		G1	CAPACITOR		C6100	1-100-804-11	CAP, METALIZED PE FILM	32XBR950	
8		G1	CAPACITOR		C6101	1-162-970-11	CERAMIC CHIP 0.01UF 10.00% 25V	32XBR950	
9		G1	CAPACITOR		C6102	1-115-340-11	CERAMIC CHIP 0.22UF 10.00% 25V	32XBR950	
10		G1	CAPACITOR		C6103	1-162-964-11	CERAMIC CHIP 0.001UF 10.00% 50V	32XBR950	
11		G1	CAPACITOR		C6104	1-162-970-11	CERAMIC CHIP 0.01UF 10.00% 25V	32XBR950	
12		G1	CAPACITOR		C6105	1-115-339-11	CERAMIC CHIP 0.1UF 10.00% 50V	32XBR950	
13		G1	CAPACITOR		C6106	1-162-923-11	CERAMIC CHIP 47PF 5.00% 50V	32XBR950	
14		G1	CAPACITOR		C6107	1-125-977-11	ELECT CHIP 100UF 20% 450V	32XBR950	
15		G1	CAPACITOR		C6108	1-125-977-11	ELECT CHIP 100UF 20% 450V	32XBR950	
16		G1	CAPACITOR		C6109	1-107-909-11	ELECT 47UF 20.00% 50V	32XBR950	
17		G1	CAPACITOR		C6110	1-137-807-31	ELECT 100UF 20% 50V	32XBR950	
18		G1	CAPACITOR		C6111	1-107-910-11	ELECT 100UF 20.00% 50V	32XBR950	
19		G1	CAPACITOR		C6112	1-100-792-11	CAP, METALIZED PE FILM	32XBR950	
20		G1	CAPACITOR		C6199	1-107-910-11	ELECT 100UF 20.00% 50V	32XBR950	
21		G1	CAPACITOR		C6200	1-162-970-11	CERAMIC CHIP 0.01UF 10.00% 25V	32XBR950	
22		G1	CAPACITOR		C6201	1-136-479-11	FILM 0.001UF 5.00% 100V	32XBR950	
23		G1	CAPACITOR		C6202	1-107-906-11	ELECT 10UF 20.00% 50V	32XBR950	
24		G1	CAPACITOR		C6203	1-107-905-11	ELECT 4.7UF 20.00% 50V	32XBR950	
25		G1	CAPACITOR		C6204	1-107-909-11	ELECT 47UF 20.00% 50V	32XBR950	
26		G1	CAPACITOR		C6205	1-162-970-11	CERAMIC CHIP 0.01UF 10.00% 25V	32XBR950	
27		G1	CAPACITOR		C6207	1-136-165-00	FILM 0.1UF 5.00% 50V	32XBR950	
28		G1	CAPACITOR		C6208	1-162-970-11	CERAMIC CHIP 0.01UF 10.00% 25V	32XBR950	
29		G1	CAPACITOR		C6209	1-107-888-11	ELECT 47UF 20.00% 25V	32XBR950	
30		G1	CAPACITOR		C6210	1-107-824-11	CERAMIC 220PF 5.00% 1KV	32XBR950	
31		G1	CAPACITOR		C6211	1-100-311-11	FILM 22000PF 3% 800V	32XBR950	
32		G1	CAPACITOR		C6212	1-107-824-11	CERAMIC 220PF 5.00% 1KV	32XBR950	
33		G1	CAPACITOR		C6213	1-100-311-11	FILM 22000PF 3% 800V	32XBR950	
34		G1	CAPACITOR		C6214	1-107-894-11	ELECT 220UF 20.00% 35V	32XBR950	
35		G1	CAPACITOR		C6300	1-100-791-21	ELECT CHIP 56UF 20% 25V	32XBR950	
36		G1	CAPACITOR		C6301	1-100-791-21	ELECT CHIP 56UF 20% 25V	32XBR950	
37		G1	CAPACITOR		C6302	1-100-791-21	ELECT CHIP 56UF 20% 25V	32XBR950	
38		G1	CAPACITOR		C6303	1-100-791-21	ELECT CHIP 56UF 20% 25V	32XBR950	
39		G1	CAPACITOR		C6304	1-165-745-31	ELECT 1200UF 20% 35V	32XBR950	
40		G1	CAPACITOR		C6305	1-107-826-11	CERAMIC CHIP 0.1UF 10.00% 16V	32XBR950	
41		G1	CAPACITOR		C6306	1-162-970-11	CERAMIC CHIP 0.01UF 10.00% 25V	32XBR950	
42		G1	CAPACITOR		C6308	1-107-914-11	ELECT 1000UF 20.00% 50V	32XBR950	
43		G1	CAPACITOR		C6400	1-107-826-11	CERAMIC CHIP 0.1UF 10.00% 16V	32XBR950	
44		G1	CAPACITOR		C6401	1-162-970-11	CERAMIC CHIP 0.01UF 10.00% 25V	32XBR950	
45		G1	CAPACITOR		C6403	1-107-882-91	ELECT 100UF 20.00% 16V	32XBR950	
46		G1	CAPACITOR		C6404	1-162-968-11	CERAMIC CHIP 0.0047UF 10.00% 50V	32XBR950	
47		G1	CAPACITOR		C6405	1-162-970-11	CERAMIC CHIP 0.01UF 10.00% 25V	32XBR950	
48		G1	CAPACITOR		C6406	1-162-968-11	CERAMIC CHIP 0.0047UF 10.00% 50V	32XBR950	
49		G1	CAPACITOR		C6407	1-162-964-11	CERAMIC CHIP 0.001UF 10.00% 50V	32XBR950	
50		G1	CAPACITOR		C6408	1-107-905-11	ELECT 4.7UF 20.00% 50V	32XBR950	
51		G1	CAPACITOR		C6410	1-162-970-11	CERAMIC CHIP 0.01UF 10.00% 25V	32XBR950	
52		G1	CAPACITOR		C6411	1-107-905-11	ELECT 4.7UF 20.00% 50V	32XBR950	
53		G1	CAPACITOR		C6412	1-131-992-91	CERAMIC CHIP 100000PF 35V	32XBR950	
54		G1	CAPACITOR		C6500	1-161-964-91	CERAMIC 0.0047UF 250V	32XBR950	
55		G1	CAPACITOR		C6501	1-161-964-91	CERAMIC 0.0047UF 250V	32XBR950	
56		G1	CAPACITOR		C6502	1-161-964-91	CERAMIC 0.0047UF 250V	32XBR950	
57		G1	CAPACITOR		C6503	1-161-964-91	CERAMIC 0.0047UF 250V	32XBR950	
58		G1	CAPACITOR		C6504	1-100-806-41	ELECT 33UF 20% 450V	32XBR950	
59		G1	CAPACITOR		C6506	1-107-903-11	ELECT 2.2UF 20.00% 50V	32XBR950	
60		G1	CAPACITOR		C6507	1-162-964-11	CERAMIC CHIP 0.001UF 10.00% 50V	32XBR950	
61		G1	CAPACITOR		C6508	1-107-905-11	ELECT 4.7UF 20.00% 50V	32XBR950	
62		G1	CAPACITOR		C6509	1-107-826-11	CERAMIC CHIP 0.1UF 10.00% 16V	32XBR950	
63		G1	CAPACITOR		C6510	1-107-826-11	CERAMIC CHIP 0.1UF 10.00% 16V	32XBR950	
64		G1	CAPACITOR		C6511	1-104-331-11	CERAMIC 0.0022UF 10.00% 1KV	32XBR950	
65		G1	CAPACITOR		C6512	1-131-872-91	CERAMIC CHIP 1000PF 10% 630V	32XBR950	
66		G1	CAPACITOR		C6513	1-107-884-11	ELECT 1000UF 20.00% 16V	32XBR950	
67		G1	CAPACITOR		C6514	1-107-974-11	CERAMIC 47PF 5.00% 2KV	32XBR950	
68		G1	CONNECTOR	*	CN6000	1-691-960-11	PIN, CONNECTOR (PC BOARD) 3P	32XBR950	
69		G1	CONNECTOR	*	CN6300	1-764-333-11	PLUG, CONNECTOR 10P	32XBR950	
70		G1	CONNECTOR	*	CN6301	1-564-509-11	PLUG, CONNECTOR 6P	32XBR950	
71		G1	CONNECTOR	*	CN6302	1-764-334-11	PLUG, CONNECTOR 11P	32XBR950	
72		G1	DIODE		D6000	8-719-510-71	DIODE D10XB60	32XBR950	
73		G1	DIODE		D6101	8-719-054-59	DIODE FSF05A60	32XBR950	

No.	#	Board	Type	△/*	Ref. No.	Part No.	Description	Remarks-1	Remarks-2
74		G1	DIODE		D6102	8-719-071-94	DIODE HRU0103ATRF	32XBR950	
75		G1	DIODE		D6103	6-500-567-31	DIODE 10ERB20-TB3	32XBR950	
76		G1	DIODE		D6104	6-500-542-01	DIODE MM3Z18VT1	32XBR950	
77		G1	DIODE		D6105	6-500-567-31	DIODE 10ERB20-TB3	32XBR950	
78		G1	DIODE		D6106	6-500-108-01	DIODE EP05FA20	32XBR950	
79		G1	DIODE		D6107	6-500-556-01	DIODE MM3Z33VT1	32XBR950	
80		G1	DIODE		D6200	8-719-082-03	DIODE MM3Z15VT1	32XBR950	
81		G1	DIODE		D6201	8-719-979-63	DIODE UF4005	32XBR950	
82		G1	DIODE		D6202	8-719-082-03	DIODE MM3Z15VT1	32XBR950	
83		G1	DIODE		D6203	8-719-082-03	DIODE MM3Z15VT1	32XBR950	
84		G1	DIODE		D6204	8-719-082-03	DIODE MM3Z15VT1	32XBR950	
85		G1	DIODE		D6205	6-500-567-31	DIODE 10ERB20-TB3	32XBR950	
86		G1	DIODE		D6206	8-719-082-03	DIODE MM3Z15VT1	32XBR950	
87		G1	DIODE		D6300	6-500-501-01	DIODE D10SC6M-4022	32XBR950	
88		G1	DIODE		D6301	8-719-082-75	DIODE FCH08A10	32XBR950	
89		G1	DIODE		D6302	6-500-501-01	DIODE D10SC6M-4022	32XBR950	
90		G1	DIODE		D6303	8-719-082-75	DIODE FCH08A10	32XBR950	
91		G1	DIODE		D6314	6-500-108-01	DIODE EP05FA20	32XBR950	
92		G1	DIODE		D6400	8-719-081-97	DIODE MMDL914T1	32XBR950	
93		G1	DIODE		D6401	8-719-948-45	DIODE ERA22-08	32XBR950	
94		G1	DIODE		D6402	8-719-081-97	DIODE MMDL914T1	32XBR950	
95		G1	DIODE		D6403	8-719-081-97	DIODE MMDL914T1	32XBR950	
96		G1	DIODE		D6404	8-719-081-97	DIODE MMDL914T1	32XBR950	
97		G1	DIODE		D6405	8-719-081-97	DIODE MMDL914T1	32XBR950	
98		G1	DIODE		D6406	6-500-553-01	DIODE MM3Z20VT1	32XBR950	
99		G1	DIODE		D6407	6-500-556-01	DIODE MM3Z33VT1	32XBR950	
100		G1	DIODE		D6408	8-719-081-97	DIODE MMDL914T1	32XBR950	
101		G1	DIODE		D6500	8-719-077-76	DIODE D2SB60A-F04	32XBR950	
102		G1	DIODE		D6501	6-500-849-01	DIODE ERA22-08KFLB	32XBR950	
103		G1	DIODE		D6502	8-719-069-55	DIODE UDZSTE-175.6B	32XBR950	
104		G1	DIODE		D6503	6-500-567-31	DIODE 10ERB20-TB3	32XBR950	
105		G1	DIODE		D6504	8-719-028-45	DIODE D2L20U	32XBR950	
106		G1	FUSE	△	F6000	1-532-505-32	FUSE 5A 250V	32XBR950	
107		G1	FERRITE BEAD		FB6200	1-410-397-21	FERRITE 1.1UH	32XBR950	
108		G1	FERRITE BEAD		FB6201	1-410-397-21	FERRITE 1.1UH	32XBR950	
109		G1	FERRITE BEAD		FB6202	1-410-397-21	FERRITE 1.1UH	32XBR950	
110		G1	FERRITE BEAD		FB6204	1-410-397-21	FERRITE 1.1UH	32XBR950	
111		G1	FUSE HOLDER		FH6000	1-533-223-11	FUSE HOLDER 0A 0V	32XBR950	
112		G1	FUSE HOLDER		FH6001	1-533-223-11	FUSE HOLDER 0A 0V	32XBR950	
113		G1	IC		IC6100	6-704-815-01	IC FA5501N-TE1	32XBR950	
114		G1	IC		IC6200	6-705-768-01	IC MCZ3001UB	32XBR950	
115		G1	IC		IC6300	8-759-682-42	IC MM1431ATT	32XBR950	
116		G1	IC		IC6400	8-759-981-61	IC LM2901M	32XBR950	
117		G1	IC		IC6401	8-759-183-53	IC TL431CPK-E2	32XBR950	
118		G1	IC		IC6500	6-600-279-01	IC STR-A6169	32XBR950	
119		G1	IC		IC6501	8-759-682-42	IC MM1431ATT	32XBR950	
120		G1	COIL		L6001	1-456-678-11	LINE FILTER COIL	32XBR950	
121		G1	COIL		L6002	1-456-678-11	LINE FILTER COIL	32XBR950	
122		G1	COIL		L6101	1-456-559-11	INDUCTOR 380UH	32XBR950	
123		G1	COIL		L6102	1-419-763-21	INDUCTOR 220UH	32XBR950	
124		G1	COIL		L6300	1-469-848-21	INDUCTOR 10UH	32XBR950	
125		G1	COIL		L6301	1-469-848-21	INDUCTOR 10UH	32XBR950	
126		G1	COIL		L6302	1-419-650-21	INDUCTOR 10UH	32XBR950	
127		G1	PHOTO COUPLER		PH6200	8-749-016-81	PHOTO COUPLER PC123Y22	32XBR950	
128		G1	PHOTO COUPLER		PH6400	8-749-016-81	PHOTO COUPLER PC123Y22	32XBR950	
129		G1	PHOTO COUPLER		PH6401	8-749-016-81	PHOTO COUPLER PC123Y22	32XBR950	
130		G1	PHOTO COUPLER		PH6500	8-749-016-81	PHOTO COUPLER PC123Y22	32XBR950	
131		G1	TRANSISTOR		Q6100	6-550-751-01	TRANSISTOR SPA20N60C3E8154	32XBR950	
132		G1	TRANSISTOR		Q6101	6-550-085-01	TRANSISTOR 2SD2012(SONY.GR)	32XBR950	
133		G1	TRANSISTOR		Q6102	8-729-820-90	TRANSISTOR 2SD1621-ST	32XBR950	
134		G1	TRANSISTOR		Q6103	8-729-804-41	TRANSISTOR 2SB1122-S	32XBR950	
135		G1	TRANSISTOR		Q6200	6-550-526-01	TRANSISTOR 2SK2842-LB180	32XBR950	
136		G1	TRANSISTOR		Q6201	6-550-526-01	TRANSISTOR 2SK2842-LB180	32XBR950	
137		G1	TRANSISTOR		Q6400	8-729-907-00	TRANSISTOR DTC114EU	32XBR950	
138		G1	TRANSISTOR		Q6401	8-729-028-73	TRANSISTOR DTA114EUA-T106	32XBR950	
139		G1	TRANSISTOR		Q6402	8-729-026-49	TRANSISTOR 2SA1037AK-T146-R	32XBR950	
140		G1	TRANSISTOR		Q6403	8-729-120-28	TRANSISTOR 2SC1623-L5L6	32XBR950	
141		G1	TRANSISTOR		Q6404	8-729-023-22	TRANSISTOR 2SD2114K	32XBR950	
142		G1	TRANSISTOR		Q6406	8-729-907-00	TRANSISTOR DTC114EU	32XBR950	
143		G1	TRANSISTOR		Q6407	8-729-907-00	TRANSISTOR DTC114EU	32XBR950	
144		G1	RESISTOR		R6000	1-219-513-11	METAL 4.7M 5% 1/2W	32XBR950	
145		G1	RESISTOR		R6001	1-219-512-11	METAL 2.2M 5% 1/2W	32XBR950	
146		G1	RESISTOR		R6003	1-245-511-11	CEMENTED 3.3 5% 5W	32XBR950	

No.	#	Board	Type	△/*	Ref. No.	Part No.	Description	Remarks-1	Remarks-2
147		G1	RESISTOR		R6100	1-218-760-11	METAL CHIP 220K 0.5% 1/10W	32XBR950	
148		G1	RESISTOR		R6101	1-218-760-11	METAL CHIP 220K 0.5% 1/10W	32XBR950	
149		G1	RESISTOR		R6102	1-218-760-11	METAL CHIP 220K 0.5% 1/10W	32XBR950	
150		G1	RESISTOR		R6103	1-218-869-11	METAL CHIP 8.2K 0.5% 1/10W	32XBR950	
151		G1	RESISTOR		R6104	1-217-152-00	METAL 0.33 10% 2W	32XBR950	
152		G1	RESISTOR		R6105	1-217-152-00	METAL 0.33 10% 2W	32XBR950	
153		G1	RESISTOR		R6106	1-216-833-11	METAL CHIP 10K 5% 1/10W	32XBR950	
154		G1	RESISTOR		R6107	1-216-809-11	METAL CHIP 100 5% 1/10W	32XBR950	
155		G1	RESISTOR		R6108	1-249-389-11	CARBON 4.7 5% 1/4W	32XBR950	
156		G1	RESISTOR		R6109	1-216-845-11	METAL CHIP 100K 5% 1/10W	32XBR950	
157		G1	RESISTOR		R6110	1-216-835-11	METAL CHIP 15K 5% 1/10W	32XBR950	
158		G1	RESISTOR		R6111	1-249-393-11	CARBON 10 5% 1/4W	32XBR950	
159		G1	RESISTOR		R6112	1-208-840-11	METAL CHIP 270K 0.5% 1/10W	32XBR950	
160		G1	RESISTOR		R6113	1-208-840-11	METAL CHIP 270K 0.5% 1/10W	32XBR950	
161		G1	RESISTOR		R6114	1-208-840-11	METAL CHIP 270K 0.5% 1/10W	32XBR950	
162		G1	RESISTOR		R6115	1-218-760-11	METAL CHIP 220K 0.5% 1/10W	32XBR950	
163		G1	RESISTOR		R6116	1-218-760-11	METAL CHIP 220K 0.5% 1/10W	32XBR950	
164		G1	RESISTOR		R6117	1-218-869-11	METAL CHIP 8.2K 0.5% 1/10W	32XBR950	
165		G1	RESISTOR		R6118	1-218-867-11	METAL CHIP 6.8K 0.5% 1/10W	32XBR950	
166		G1	RESISTOR		R6119	1-215-879-11	METAL OXIDE 47K 5% 1W	32XBR950	
167		G1	RESISTOR		R6120	1-249-405-11	CARBON 100 5% 1/4W	32XBR950	
168		G1	RESISTOR		R6121	1-249-377-11	CARBON 0.47 5% 1/4W	32XBR950	
169		G1	RESISTOR		R6122	1-215-879-11	METAL OXIDE 47K 5% 1W	32XBR950	
170		G1	RESISTOR		R6123	1-216-829-11	METAL CHIP 4.7K 5% 1/10W	32XBR950	
171		G1	RESISTOR		R6124	1-249-405-11	CARBON 100 5% 1/4W	32XBR950	
172		G1	RESISTOR		R6127	1-218-760-11	METAL CHIP 220K 0.5% 1/10W	32XBR950	
173		G1	RESISTOR		R6128	1-218-753-11	METAL CHIP 110K 0.5% 1/10W	32XBR950	
174		G1	RESISTOR		R6200	1-202-933-61	FUSIBLE 0.1 10% 1/2W	32XBR950	
175		G1	RESISTOR		R6201	1-218-760-11	METAL CHIP 220K 0.5% 1/10W	32XBR950	
176		G1	RESISTOR		R6202	1-218-760-11	METAL CHIP 220K 0.5% 1/10W	32XBR950	
177		G1	RESISTOR		R6203	1-218-865-11	METAL CHIP 5.6K 0.5% 1/10W	32XBR950	
178		G1	RESISTOR		R6205	1-218-877-11	METAL CHIP 18K 0.5% 1/10W	32XBR950	
179		G1	RESISTOR		R6207	1-218-823-11	METAL CHIP 100 0.5% 1/10W	32XBR950	
180		G1	RESISTOR		R6208	1-211-978-11	METAL CHIP 24 0.5% 1/10W	32XBR950	
181		G1	RESISTOR		R6209	1-249-417-11	CARBON 1K 5% 1/4W	32XBR950	
182		G1	RESISTOR		R6210	1-249-393-11	CARBON 10 5% 1/4W	32XBR950	
183		G1	RESISTOR		R6211	1-218-871-11	METAL CHIP 10K 0.5% 1/10W	32XBR950	
184		G1	RESISTOR		R6212	1-249-393-11	CARBON 10 5% 1/4W	32XBR950	
185		G1	RESISTOR		R6213	1-218-871-11	METAL CHIP 10K 0.5% 1/10W	32XBR950	
186		G1	RESISTOR		R6214	1-243-660-71	METAL 0.05 5% 2W	32XBR950	
187		G1	RESISTOR		R6215	1-249-385-11	CARBON 2.2 5% 1/4W	32XBR950	
188		G1	RESISTOR		R6216	1-216-817-11	METAL CHIP 470 5% 1/10W	32XBR950	
189		G1	RESISTOR		R6217	1-216-864-11	SHORT CHIP 0	32XBR950	
190		G1	RESISTOR		R6218	1-218-760-11	METAL CHIP 220K 0.5% 1/10W	32XBR950	
191		G1	RESISTOR		R6219	1-218-760-11	METAL CHIP 220K 0.5% 1/10W	32XBR950	
192		G1	RESISTOR		R6220	1-208-830-11	METAL CHIP 100K 0.5% 1/10W	32XBR950	
193		G1	RESISTOR		R6222	1-219-759-11	METAL 1M 5% 1/2W	32XBR950	
194		G1	RESISTOR		R6223	1-219-759-11	METAL 1M 5% 1/2W	32XBR950	
195		G1	RESISTOR		R6300	1-216-825-11	METAL CHIP 2.2K 5% 1/10W	32XBR950	
196		G1	RESISTOR		R6301	1-216-821-11	METAL CHIP 1K 5% 1/10W	32XBR950	
197		G1	RESISTOR		R6302	1-216-864-11	SHORT CHIP 0	32XBR950	
198		G1	RESISTOR		R6303	1-216-864-11	SHORT CHIP 0	32XBR950	
199		G1	RESISTOR		R6304	1-216-833-11	METAL CHIP 10K 5% 1/10W	32XBR950	
200		G1	RESISTOR		R6305	1-218-857-11	METAL CHIP 2.7K 0.5% 1/10W	32XBR950	
201		G1	RESISTOR		R6306	1-218-880-11	METAL CHIP 24K 0.5% 1/10W	32XBR950	
202		G1	RESISTOR		R6308	1-249-389-11	CARBON 4.7 5% 1/4W	32XBR950	
203		G1	RESISTOR		R6400	1-247-752-11	CARBON 1K 5% 1/2W	32XBR950	
204		G1	RESISTOR		R6401	1-216-829-11	METAL CHIP 4.7K 5% 1/10W	32XBR950	
205		G1	RESISTOR		R6402	1-216-829-11	METAL CHIP 4.7K 5% 1/10W	32XBR950	
206		G1	RESISTOR		R6403	1-216-829-11	METAL CHIP 4.7K 5% 1/10W	32XBR950	
207		G1	RESISTOR		R6404	1-216-833-11	METAL CHIP 10K 5% 1/10W	32XBR950	
208		G1	RESISTOR		R6405	1-216-833-11	METAL CHIP 10K 5% 1/10W	32XBR950	
209		G1	RESISTOR		R6406	1-216-829-11	METAL CHIP 4.7K 5% 1/10W	32XBR950	
210		G1	RESISTOR		R6407	1-216-829-11	METAL CHIP 4.7K 5% 1/10W	32XBR950	
211		G1	RESISTOR		R6408	1-216-817-11	METAL CHIP 470 5% 1/10W	32XBR950	
212		G1	RESISTOR		R6409	1-216-821-11	METAL CHIP 1K 5% 1/10W	32XBR950	
213		G1	RESISTOR		R6410	1-218-889-11	METAL CHIP 56K 0.5% 1/10W	32XBR950	
214		G1	RESISTOR		R6411	1-218-871-11	METAL CHIP 10K 0.5% 1/10W	32XBR950	
215		G1	RESISTOR		R6412	1-249-421-11	CARBON 2.2K 5% 1/4W	32XBR950	
216		G1	RESISTOR		R6413	1-218-852-11	METAL CHIP 1.6K 0.5% 1/10W	32XBR950	
217		G1	RESISTOR		R6415	1-218-876-11	METAL CHIP 16K 0.5% 1/10W	32XBR950	
218		G1	RESISTOR		R6416	1-216-864-11	SHORT CHIP 0	32XBR950	
219		G1	RESISTOR		R6417	1-216-864-11	SHORT CHIP 0	32XBR950	

No.	#	Board	Type	△/*	Ref. No.	Part No.	Description	Remarks-1	Remarks-2
220		G1	RESISTOR		R6418	1-216-829-11	METAL CHIP 4.7K 5% 1/10W	32XBR950	
221		G1	RESISTOR		R6419	1-216-864-11	SHORT CHIP 0	32XBR950	
222		G1	RESISTOR		R6420	1-216-837-11	METAL CHIP 22K 5% 1/10W	32XBR950	
223		G1	RESISTOR		R6421	1-208-840-11	METAL CHIP 270K 0.5% 1/10W	32XBR950	
224		G1	RESISTOR		R6422	1-208-840-11	METAL CHIP 270K 0.5% 1/10W	32XBR950	
225		G1	RESISTOR		R6423	1-208-840-11	METAL CHIP 270K 0.5% 1/10W	32XBR950	
226		G1	RESISTOR		R6424	1-218-760-11	METAL CHIP 220K 0.5% 1/10W	32XBR950	
227		G1	RESISTOR		R6425	1-218-760-11	METAL CHIP 220K 0.5% 1/10W	32XBR950	
228		G1	RESISTOR		R6426	1-216-829-11	METAL CHIP 4.7K 5% 1/10W	32XBR950	
229		G1	RESISTOR		R6429	1-218-854-11	METAL CHIP 2K 0.5% 1/10W	32XBR950	
230		G1	RESISTOR		R6430	1-218-863-11	METAL CHIP 4.7K 0.5% 1/10W	32XBR950	
231		G1	RESISTOR		R6431	1-216-825-11	METAL CHIP 2.2K 5% 1/10W	32XBR950	
232		G1	RESISTOR		R6432	1-216-821-11	METAL CHIP 1K 5% 1/10W	32XBR950	
233		G1	RESISTOR		R6433	1-216-864-11	SHORT CHIP 0	32XBR950	
234		G1	RESISTOR		R6434	1-216-833-11	METAL CHIP 10K 5% 1/10W	32XBR950	
235		G1	RESISTOR		R6500	1-249-381-11	CARBON 1 5% 1/4W	32XBR950	
236		G1	RESISTOR		R6501	1-216-150-91	RES-CHIP 10 5% 1/8W	32XBR950	
237		G1	RESISTOR		R6502	1-216-150-91	RES-CHIP 10 5% 1/8W	32XBR950	
238		G1	RESISTOR		R6503	1-249-393-11	CARBON 10 5% 1/4W	32XBR950	
239		G1	RESISTOR		R6504	1-216-864-11	SHORT CHIP 0	32XBR950	
240		G1	RESISTOR		R6505	1-216-864-11	SHORT CHIP 0	32XBR950	
241		G1	RESISTOR		R6506	1-216-817-11	METAL CHIP 470 5% 1/10W	32XBR950	
242		G1	RESISTOR		R6507	1-216-821-11	METAL CHIP 1K 5% 1/10W	32XBR950	
243		G1	RESISTOR		R6508	1-216-864-11	SHORT CHIP 0	32XBR950	
244		G1	RESISTOR		R6509	1-218-869-11	METAL CHIP 8.2K 0.5% 1/10W	32XBR950	
245		G1	RESISTOR		R6510	1-216-839-11	METAL CHIP 33K 5% 1/10W	32XBR950	
246		G1	RESISTOR		R6511	1-218-864-11	METAL CHIP 5.1K 0.5% 1/10W	32XBR950	
247		G1	RESISTOR		R6512	1-218-642-11	METAL OXIDE 100K 5% 1W	32XBR950	
248		G1	RESISTOR		R6513	1-216-150-91	RES-CHIP 10 5% 1/8W	32XBR950	
249		G1	RESISTOR		R6514	1-216-150-91	RES-CHIP 10 5% 1/8W	32XBR950	
250		G1	RELAY		RY6000	1-755-492-11	RELAY (AC POWER)	32XBR950	
251		G1	RELAY		RY6001	1-755-493-11	RELAY (AC POWER)	32XBR950	
252		G1	TRANSFORMER		T6200	1-443-115-11	CONVERTER TRANSFORMER (PIT)	32XBR950	
253		G1	TRANSFORMER		T6201	1-443-115-11	CONVERTER TRANSFORMER (PIT)	32XBR950	
254		G1	TRANSFORMER		T6500	1-439-910-11	CONVERTER TRANSFORMER (SRT)	32XBR950	
255		G1	THERMISTOR		TH6300	1-804-045-11	THERMISTOR	32XBR950	
256		G1	THERMISTOR		TH6500	1-803-586-41	THERMISTOR	32XBR950	
257		G1	VARIATOR		VD6000	1-804-995-21	VARIATOR	32XBR950	
258		G2	CAPACITOR		C6000	1-161-964-91	CERAMIC 0.0047UF 250V	42XBR950	
259		G2	CAPACITOR		C6001	1-161-964-91	CERAMIC 0.0047UF 250V	42XBR950	
260		G2	CAPACITOR		C6002	1-119-892-51	CERAMIC 470PF 10.00% 250V	42XBR950	
261		G2	CAPACITOR		C6003	1-119-892-51	CERAMIC 470PF 10.00% 250V	42XBR950	
262		G2	CAPACITOR		C6011	1-165-529-31	MYLAR 0.22UF 10 0V	42XBR950	
263		G2	CAPACITOR		C6100	1-100-804-11	CAP, METALIZED PE FILM	42XBR950	
264		G2	CAPACITOR		C6101	1-162-962-11	CERAMIC CHIP 470PF 10.00% 50V	42XBR950	
265		G2	CAPACITOR		C6102	1-115-467-11	CERAMIC CHIP 0.22UF 10.00% 10V	42XBR950	
266		G2	CAPACITOR		C6103	1-162-964-11	CERAMIC CHIP 0.001UF 10.00% 50V	42XBR950	
267		G2	CAPACITOR		C6104	1-162-970-11	CERAMIC CHIP 0.01UF 10.00% 25V	42XBR950	
268		G2	CAPACITOR		C6105	1-131-992-91	CERAMIC CHIP 100000PF 35V	42XBR950	
269		G2	CAPACITOR		C6107	1-125-977-11	ELECT CHIP 100UF 20% 450V	42XBR950	
270		G2	CAPACITOR		C6108	1-125-977-11	ELECT CHIP 100UF 20% 450V	42XBR950	
271		G2	CAPACITOR		C6109	1-125-977-11	ELECT CHIP 100UF 20% 450V	42XBR950	
272		G2	CAPACITOR		C6110	1-107-921-91	ELECT 100UF 20.00% 63V	42XBR950	
273		G2	CAPACITOR		C6111	1-107-910-11	ELECT 100UF 20.00% 50V	42XBR950	
274		G2	CAPACITOR		C6112	1-107-889-11	ELECT 220UF 20.00% 25V	42XBR950	
275		G2	CAPACITOR		C6113	1-100-804-11	CAP, METALIZED PE FILM	42XBR950	
276		G2	CAPACITOR		C6114	1-100-804-11	CAP, METALIZED PE FILM	42XBR950	
277		G2	CAPACITOR		C6199	1-107-910-11	ELECT 100UF 20.00% 50V	42XBR950	
278		G2	CAPACITOR		C6200	1-162-970-11	CERAMIC CHIP 0.01UF 10.00% 25V	42XBR950	
279		G2	CAPACITOR		C6201	1-136-479-11	FILM 0.001UF 5.00% 100V	42XBR950	
280		G2	CAPACITOR		C6202	1-107-906-11	ELECT 10UF 20.00% 50V	42XBR950	
281		G2	CAPACITOR		C6203	1-107-905-11	ELECT 4.7UF 20.00% 50V	42XBR950	
282		G2	CAPACITOR		C6204	1-107-909-11	ELECT 47UF 20.00% 50V	42XBR950	
283		G2	CAPACITOR		C6205	1-162-964-11	CERAMIC CHIP 0.001UF 10.00% 50V	42XBR950	
284		G2	CAPACITOR		C6207	1-136-165-00	FILM 0.1UF 5.00% 50V	42XBR950	
285		G2	CAPACITOR		C6208	1-162-970-11	CERAMIC CHIP 0.01UF 10.00% 25V	42XBR950	
286		G2	CAPACITOR		C6209	1-107-888-11	ELECT 47UF 20.00% 25V	42XBR950	
287		G2	CAPACITOR		C6210	1-107-824-11	CERAMIC 220PF 5.00% 1KV	42XBR950	
288		G2	CAPACITOR		C6211	1-165-607-11	FILM 10000PF 3% 800V	42XBR950	
289		G2	CAPACITOR		C6212	1-107-824-11	CERAMIC 220PF 5.00% 1KV	42XBR950	
290		G2	CAPACITOR		C6213	1-165-607-11	FILM 10000PF 3% 800V	42XBR950	
291		G2	CAPACITOR		C6214	1-107-894-11	ELECT 220UF 20.00% 35V	42XBR950	
292		G2	CAPACITOR		C6300	1-128-954-11	ELECT 1000UF 20% 25V	42XBR950	

No.	#	Board	Type	△/*	Ref. No.	Part No.	Description	Remarks-1	Remarks-2
293		G2	CAPACITOR		C6301	1-128-954-11	ELECT 1000UF 20% 25V	42XBR950	
294		G2	CAPACITOR		C6302	1-100-791-21	ELECT CHIP 56UF 20% 25V	42XBR950	
295		G2	CAPACITOR		C6303	1-100-791-21	ELECT CHIP 56UF 20% 25V	42XBR950	
296		G2	CAPACITOR		C6304	1-165-745-31	ELECT 1200UF 20% 35V	42XBR950	
297		G2	CAPACITOR		C6305	1-107-826-11	CERAMIC CHIP 0.1UF 10.00% 16V	42XBR950	
298		G2	CAPACITOR		C6306	1-162-970-11	CERAMIC CHIP 0.01UF 10.00% 25V	42XBR950	
299		G2	CAPACITOR		C6308	1-128-954-11	ELECT 1000UF 20% 25V	42XBR950	
300		G2	CAPACITOR		C6309	1-100-791-21	ELECT CHIP 56UF 20% 25V	42XBR950	
301		G2	CAPACITOR		C6310	1-137-807-31	ELECT 100UF 20% 50V	42XBR950	
302		G2	CAPACITOR		C6400	1-107-826-11	CERAMIC CHIP 0.1UF 10.00% 16V	42XBR950	
303		G2	CAPACITOR		C6401	1-162-962-11	CERAMIC CHIP 470PF 10.00% 50V	42XBR950	
304		G2	CAPACITOR		C6402	1-164-156-11	CERAMIC CHIP 0.1UF 25V	42XBR950	
305		G2	CAPACITOR		C6403	1-107-882-91	ELECT 100UF 20.00% 16V	42XBR950	
306		G2	CAPACITOR		C6404	1-162-968-11	CERAMIC CHIP 0.0047UF 10.00% 50V	42XBR950	
307		G2	CAPACITOR		C6405	1-162-970-11	CERAMIC CHIP 0.01UF 10.00% 25V	42XBR950	
308		G2	CAPACITOR		C6406	1-162-968-11	CERAMIC CHIP 0.0047UF 10.00% 50V	42XBR950	
309		G2	CAPACITOR		C6407	1-162-964-11	CERAMIC CHIP 0.001UF 10.00% 50V	42XBR950	
310		G2	CAPACITOR		C6408	1-107-905-11	ELECT 4.7UF 20.00% 50V	42XBR950	
311		G2	CAPACITOR		C6409	1-100-566-91	CERAMIC CHIP 0.1UF 10.00% 25V	42XBR950	
312		G2	CAPACITOR		C6410	1-162-970-11	CERAMIC CHIP 0.01UF 10.00% 25V	42XBR950	
313		G2	CAPACITOR		C6411	1-107-905-11	ELECT 4.7UF 20.00% 50V	42XBR950	
314		G2	CAPACITOR		C6412	1-107-902-11	ELECT 1UF 20.00% 50V	42XBR950	
315		G2	CAPACITOR		C6413	1-131-992-91	CERAMIC CHIP 100000PF 35V	42XBR950	
316		G2	CAPACITOR		C6500	1-161-964-91	CERAMIC 0.0047UF 250V	42XBR950	
317		G2	CAPACITOR		C6501	1-161-964-91	CERAMIC 0.0047UF 250V	42XBR950	
318		G2	CAPACITOR		C6502	1-161-964-91	CERAMIC 0.0047UF 250V	42XBR950	
319		G2	CAPACITOR		C6503	1-161-964-91	CERAMIC 0.0047UF 250V	42XBR950	
320		G2	CAPACITOR		C6504	1-100-806-41	ELECT 33UF 20% 450V	42XBR950	
321		G2	CAPACITOR		C6506	1-107-903-11	ELECT 2.2UF 20.00% 50V	42XBR950	
322		G2	CAPACITOR		C6507	1-162-964-11	CERAMIC CHIP 0.001UF 10.00% 50V	42XBR950	
323		G2	CAPACITOR		C6508	1-107-905-11	ELECT 4.7UF 20.00% 50V	42XBR950	
324		G2	CAPACITOR		C6509	1-107-826-11	CERAMIC CHIP 0.1UF 10.00% 16V	42XBR950	
325		G2	CAPACITOR		C6510	1-107-826-11	CERAMIC CHIP 0.1UF 10.00% 16V	42XBR950	
326		G2	CAPACITOR		C6511	1-104-331-11	CERAMIC 0.0022UF 10.00% 1KV	42XBR950	
327		G2	CAPACITOR		C6512	1-131-872-91	CERAMIC CHIP 1000PF 10% 630V	42XBR950	
328		G2	CAPACITOR		C6513	1-107-884-11	ELECT 1000UF 20.00% 16V	42XBR950	
329		G2	CAPACITOR		C6514	1-107-974-11	CERAMIC 47PF 5.00% 2KV	42XBR950	
330		G2	CONNECTOR	*	CN6000	1-691-960-11	PIN, CONNECTOR (PC BOARD) 3P	42XBR950	
331		G2	CONNECTOR	*	CN6300	1-764-333-11	PLUG, CONNECTOR 10P	42XBR950	
332		G2	CONNECTOR	*	CN6301	1-564-509-11	PLUG, CONNECTOR 6P	42XBR950	
333		G2	CONNECTOR	*	CN6302	1-764-334-11	PLUG, CONNECTOR 11P	42XBR950	
334		G2	DIODE		D6000	8-719-026-63	DIODE D10XB60S	42XBR950	
335		G2	DIODE		D6101	8-719-054-59	DIODE FSF05A60	42XBR950	
336		G2	DIODE		D6102	8-719-071-94	DIODE HRU0103ATRF	42XBR950	
337		G2	DIODE		D6103	6-500-567-21	DIODE 10ERB20-TB5	42XBR950	
338		G2	DIODE		D6104	6-500-542-01	DIODE MM3Z18VT1	42XBR950	
339		G2	DIODE		D6105	6-500-567-21	DIODE 10ERB20-TB5	42XBR950	
340		G2	DIODE		D6106	8-719-081-08	DIODE EP05Q04-TE8L3	42XBR950	
341		G2	DIODE		D6107	8-719-081-08	DIODE EP05Q04-TE8L3	42XBR950	
342		G2	DIODE		D6200	8-719-082-03	DIODE MM3Z15VT1	42XBR950	
343		G2	DIODE		D6201	8-719-979-64	DIODE UF4005PKG23	42XBR950	
344		G2	DIODE		D6202	8-719-082-03	DIODE MM3Z15VT1	42XBR950	
345		G2	DIODE		D6203	8-719-082-03	DIODE MM3Z15VT1	42XBR950	
346		G2	DIODE		D6204	8-719-082-03	DIODE MM3Z15VT1	42XBR950	
347		G2	DIODE		D6205	6-500-567-21	DIODE 10ERB20-TB5	42XBR950	
348		G2	DIODE		D6206	8-719-082-03	DIODE MM3Z15VT1	42XBR950	
349		G2	DIODE		D6300	6-500-501-01	DIODE D10SC6M-4022	42XBR950	
350		G2	DIODE		D6301	8-719-082-75	DIODE FCH08A10	42XBR950	
351		G2	DIODE		D6302	6-500-501-01	DIODE D10SC6M-4022	42XBR950	
352		G2	DIODE		D6303	8-719-082-75	DIODE FCH08A10	42XBR950	
353		G2	DIODE		D6304	8-719-082-75	DIODE FCH08A10	42XBR950	
354		G2	DIODE		D6305	6-500-501-01	DIODE D10SC6M-4022	42XBR950	
355		G2	DIODE		D6314	6-500-108-01	DIODE EP05FA20	42XBR950	
356		G2	DIODE		D6400	8-719-081-97	DIODE MMDL914T1	42XBR950	
357		G2	DIODE		D6401	8-719-948-45	DIODE ERA22-08	42XBR950	
358		G2	DIODE		D6402	8-719-081-97	DIODE MMDL914T1	42XBR950	
359		G2	DIODE		D6403	8-719-081-97	DIODE MMDL914T1	42XBR950	
360		G2	DIODE		D6404	8-719-081-97	DIODE MMDL914T1	42XBR950	
361		G2	DIODE		D6405	8-719-081-97	DIODE MMDL914T1	42XBR950	
362		G2	DIODE		D6406	8-719-083-70	DIODE UDZSTE-1727B	42XBR950	
363		G2	DIODE		D6407	6-500-556-01	DIODE MM3Z33VT1	42XBR950	
364		G2	DIODE		D6408	8-719-081-97	DIODE MMDL914T1	42XBR950	
365		G2	DIODE		D6409	8-719-083-70	DIODE UDZSTE-1727B	42XBR950	

No.	#	Board	Type	△/*	Ref. No.	Part No.	Description	Remarks-1	Remarks-2
366		G2	DIODE		D6500	8-719-077-76	DIODE D2SB60A-F04	42XBR950	
367		G2	DIODE		D6501	8-719-948-45	DIODE ERA22-08	42XBR950	
368		G2	DIODE		D6502	8-719-069-55	DIODE UDZSTE-175.6B	42XBR950	
369		G2	DIODE		D6503	6-500-567-21	DIODE 10ERB20-TB5	42XBR950	
370		G2	DIODE		D6504	8-719-028-45	DIODE D2L20U	42XBR950	
371		G2	FUSE	△	F6000	1-532-505-32	FUSE 5A 250V	42XBR950	
372		G2	FERRITE BEAD		FB6200	1-410-396-41	FERRITE 0.45UH	42XBR950	
373		G2	FERRITE BEAD		FB6201	1-410-396-41	FERRITE 0.45UH	42XBR950	
374		G2	FERRITE BEAD		FB6202	1-410-396-41	FERRITE 0.45UH	42XBR950	
375		G2	FERRITE BEAD		FB6203	1-410-396-41	FERRITE 0.45UH	42XBR950	
376		G2	FERRITE BEAD		FB6204	1-410-397-21	FERRITE 1.1UH	42XBR950	
377		G2	FUSE HOLDER		FH6000	1-533-223-11	FUSE HOLDER 0A 0V	42XBR950	
378		G2	FUSE HOLDER		FH6001	1-533-223-11	FUSE HOLDER 0A 0V	42XBR950	
379		G2	IC		IC6100	6-704-815-01	IC FA5501N-TE1	42XBR950	
380		G2	IC		IC6200	6-705-768-01	IC MCZ3001UB	42XBR950	
381		G2	IC		IC6300	8-759-540-60	IC TL431BCLPRA	42XBR950	
382		G2	IC		IC6400	8-759-981-61	IC LM2901M	42XBR950	
383		G2	IC		IC6401	8-759-183-53	IC TL431CPK-E2	42XBR950	
384		G2	IC		IC6500	6-600-279-01	IC STR-A6169	42XBR950	
385		G2	IC		IC6501	8-759-540-60	IC TL431BCLPRA	42XBR950	
386		G2	SHORT CHIP		JR6302	1-216-864-11	SHORT CHIP 0	42XBR950	
387		G2	SHORT CHIP		JR6400	1-216-864-11	SHORT CHIP 0	42XBR950	
388		G2	COIL		L6001	1-456-293-11	COIL, LINE FILTER	42XBR950	
389		G2	COIL		L6002	1-456-293-11	COIL, LINE FILTER	42XBR950	
390		G2	COIL		L6100	1-419-761-11	INDUCTOR 100UH	42XBR950	
391		G2	COIL		L6101	1-456-560-11	INDUCTOR 145UH	42XBR950	
392		G2	COIL		L6102	1-456-560-11	INDUCTOR 145UH	42XBR950	
393		G2	COIL		L6103	1-419-761-11	INDUCTOR 100UH	42XBR950	
394		G2	COIL		L6300	1-469-848-21	INDUCTOR 10UH	42XBR950	
395		G2	COIL		L6301	1-469-848-21	INDUCTOR 10UH	42XBR950	
396		G2	COIL		L6302	1-419-650-21	INDUCTOR 10UH	42XBR950	
397		G2	COIL		L6303	1-469-848-21	INDUCTOR 10UH	42XBR950	
398		G2	PHOTO COUPLER		PH6200	8-749-016-81	PHOTO COUPLER PC123Y22	42XBR950	
399		G2	PHOTO COUPLER		PH6400	8-749-016-81	PHOTO COUPLER PC123Y22	42XBR950	
400		G2	PHOTO COUPLER		PH6401	8-749-016-81	PHOTO COUPLER PC123Y22	42XBR950	
401		G2	PHOTO COUPLER		PH6500	8-749-016-81	PHOTO COUPLER PC123Y22	42XBR950	
402		G2	TRANSISTOR		Q6100	6-550-751-01	TRANSISTOR SPA20N60C3E8154	42XBR950	
403		G2	TRANSISTOR		Q6101	6-550-751-01	TRANSISTOR SPA20N60C3E8154	42XBR950	
404		G2	TRANSISTOR		Q6102	8-729-820-90	TRANSISTOR 2SD1621-ST	42XBR950	
405		G2	TRANSISTOR		Q6103	8-729-804-41	TRANSISTOR 2SB1122-S	42XBR950	
406		G2	TRANSISTOR		Q6104	6-550-085-01	TRANSISTOR 2SD2012(SONY.GR)	42XBR950	
407		G2	TRANSISTOR		Q6200	6-550-526-01	TRANSISTOR 2SK2842-LB180	42XBR950	
408		G2	TRANSISTOR		Q6201	6-550-526-01	TRANSISTOR 2SK2842-LB180	42XBR950	
409		G2	TRANSISTOR		Q6400	8-729-907-00	TRANSISTOR DTC114EU	42XBR950	
410		G2	TRANSISTOR		Q6401	8-729-028-73	TRANSISTOR DTA114EUA-T106	42XBR950	
411		G2	TRANSISTOR		Q6402	8-729-026-49	TRANSISTOR 2SA1037AK-T146-R	42XBR950	
412		G2	TRANSISTOR		Q6403	8-729-120-28	TRANSISTOR 2SC1623-L5L6	42XBR950	
413		G2	TRANSISTOR		Q6404	8-729-023-22	TRANSISTOR 2SD2114K	42XBR950	
414		G2	TRANSISTOR		Q6405	8-729-028-73	TRANSISTOR DTA114EUA-T106	42XBR950	
415		G2	TRANSISTOR		Q6406	8-729-907-00	TRANSISTOR DTC114EU	42XBR950	
416		G2	TRANSISTOR		Q6407	8-729-907-00	TRANSISTOR DTC114EU	42XBR950	
417		G2	RESISTOR		R6000	1-219-513-11	METAL 4.7M 5% 1/2W	42XBR950	
418		G2	RESISTOR		R6001	1-219-512-11	METAL 2.2M 5% 1/2W	42XBR950	
419		G2	RESISTOR		R6002	1-245-511-11	CEMENTED 3.3 5% 5W	42XBR950	
420		G2	RESISTOR		R6100	1-218-760-11	METAL CHIP 220K 0.5% 1/10W	42XBR950	
421		G2	RESISTOR		R6101	1-218-760-11	METAL CHIP 220K 0.5% 1/10W	42XBR950	
422		G2	RESISTOR		R6102	1-218-760-11	METAL CHIP 220K 0.5% 1/10W	42XBR950	
423		G2	RESISTOR		R6103	1-218-869-11	METAL CHIP 8.2K 0.5% 1/10W	42XBR950	
424		G2	RESISTOR		R6104	1-217-151-00	METAL 0.22 10% 2W	42XBR950	
425		G2	RESISTOR		R6105	1-217-151-00	METAL 0.22 10% 2W	42XBR950	
426		G2	RESISTOR		R6106	1-216-833-11	METAL CHIP 10K 5% 1/10W	42XBR950	
427		G2	RESISTOR		R6107	1-218-823-11	METAL CHIP 100 0.5% 1/10W	42XBR950	
428		G2	RESISTOR		R6108	1-249-393-11	CARBON 10 5% 1/4W	42XBR950	
429		G2	RESISTOR		R6109	1-216-845-11	METAL CHIP 100K 5% 1/10W	42XBR950	
430		G2	RESISTOR		R6110	1-216-833-11	METAL CHIP 10K 5% 1/10W	42XBR950	
431		G2	RESISTOR		R6111	1-249-393-11	CARBON 10 5% 1/4W	42XBR950	
432		G2	RESISTOR		R6112	1-208-840-11	METAL CHIP 270K 0.5% 1/10W	42XBR950	
433		G2	RESISTOR		R6113	1-208-840-11	METAL CHIP 270K 0.5% 1/10W	42XBR950	
434		G2	RESISTOR		R6114	1-208-840-11	METAL CHIP 270K 0.5% 1/10W	42XBR950	
435		G2	RESISTOR		R6115	1-218-760-11	METAL CHIP 220K 0.5% 1/10W	42XBR950	
436		G2	RESISTOR		R6116	1-218-760-11	METAL CHIP 220K 0.5% 1/10W	42XBR950	
437		G2	RESISTOR		R6117	1-218-869-11	METAL CHIP 8.2K 0.5% 1/10W	42XBR950	
438		G2	RESISTOR		R6118	1-249-393-11	CARBON 10 5% 1/4W	42XBR950	

No.	#	Board	Type	△/*	Ref. No.	Part No.	Description	Remarks-1	Remarks-2
439		G2	RESISTOR		R6119	1-216-833-11	METAL CHIP 10K 5% 1/10W	42XBR950	
440		G2	RESISTOR		R6120	1-249-405-11	CARBON 100 5% 1/4W	42XBR950	
441		G2	RESISTOR		R6121	1-249-377-11	CARBON 0.47 5% 1/4W	42XBR950	
442		G2	RESISTOR		R6122	1-215-900-11	METAL OXIDE 22K 5% 2W	42XBR950	
443		G2	RESISTOR		R6123	1-216-829-11	METAL CHIP 4.7K 5% 1/10W	42XBR950	
444		G2	RESISTOR		R6124	1-218-867-11	METAL CHIP 6.8K 0.5% 1/10W	42XBR950	
445		G2	RESISTOR		R6125	1-215-900-11	METAL OXIDE 22K 5% 2W	42XBR950	
446		G2	RESISTOR		R6126	1-216-809-11	METAL CHIP 100 5% 1/10W	42XBR950	
447		G2	RESISTOR		R6127	1-216-809-11	METAL CHIP 100 5% 1/10W	42XBR950	
448		G2	RESISTOR		R6128	1-218-760-11	METAL CHIP 220K 0.5% 1/10W	42XBR950	
449		G2	RESISTOR		R6129	1-218-753-11	METAL CHIP 110K 0.5% 1/10W	42XBR950	
450		G2	RESISTOR		R6200	1-202-933-61	FUSIBLE 0.1 10% 1/2W	42XBR950	
451		G2	RESISTOR		R6201	1-218-760-11	METAL CHIP 220K 0.5% 1/10W	42XBR950	
452		G2	RESISTOR		R6202	1-218-760-11	METAL CHIP 220K 0.5% 1/10W	42XBR950	
453		G2	RESISTOR		R6203	1-218-865-11	METAL CHIP 5.6K 0.5% 1/10W	42XBR950	
454		G2	RESISTOR		R6205	1-218-877-11	METAL CHIP 18K 0.5% 1/10W	42XBR950	
455		G2	RESISTOR		R6207	1-218-823-11	METAL CHIP 100 0.5% 1/10W	42XBR950	
456		G2	RESISTOR		R6208	1-218-829-11	METAL CHIP 180 0.5% 1/10W	42XBR950	
457		G2	RESISTOR		R6209	1-249-417-11	CARBON 1K 5% 1/4W	42XBR950	
458		G2	RESISTOR		R6210	1-249-393-11	CARBON 10 5% 1/4W	42XBR950	
459		G2	RESISTOR		R6211	1-218-871-11	METAL CHIP 10K 0.5% 1/10W	42XBR950	
460		G2	RESISTOR		R6212	1-249-393-11	CARBON 10 5% 1/4W	42XBR950	
461		G2	RESISTOR		R6213	1-218-871-11	METAL CHIP 10K 0.5% 1/10W	42XBR950	
462		G2	RESISTOR		R6214	1-243-660-71	METAL 0.05 5% 2W	42XBR950	
463		G2	RESISTOR		R6215	1-249-385-11	CARBON 2.2 5% 1/4W	42XBR950	
464		G2	RESISTOR		R6216	1-216-817-11	METAL CHIP 470 5% 1/10W	42XBR950	
465		G2	RESISTOR		R6217	1-216-864-11	SHORT CHIP 0	42XBR950	
466		G2	RESISTOR		R6218	1-218-760-11	METAL CHIP 220K 0.5% 1/10W	42XBR950	
467		G2	RESISTOR		R6219	1-218-760-11	METAL CHIP 220K 0.5% 1/10W	42XBR950	
468		G2	RESISTOR		R6220	1-208-830-11	METAL CHIP 100K 0.5% 1/10W	42XBR950	
469		G2	RESISTOR		R6221	1-219-759-11	METAL 1M 5% 1/2W	42XBR950	
470		G2	RESISTOR		R6222	1-219-759-11	METAL 1M 5% 1/2W	42XBR950	
471		G2	RESISTOR		R6300	1-216-825-11	METAL CHIP 2.2K 5% 1/10W	42XBR950	
472		G2	RESISTOR		R6301	1-216-821-11	METAL CHIP 1K 5% 1/10W	42XBR950	
473		G2	RESISTOR		R6302	1-216-864-11	SHORT CHIP 0	42XBR950	
474		G2	RESISTOR		R6303	1-216-864-11	SHORT CHIP 0	42XBR950	
475		G2	RESISTOR		R6304	1-216-833-11	METAL CHIP 10K 5% 1/10W	42XBR950	
476		G2	RESISTOR		R6305	1-218-857-11	METAL CHIP 2.7K 0.5% 1/10W	42XBR950	
477		G2	RESISTOR		R6306	1-218-876-11	METAL CHIP 16K 0.5% 1/10W	42XBR950	
478		G2	RESISTOR		R6307	1-216-821-11	METAL CHIP 1K 5% 1/10W	42XBR950	
479		G2	RESISTOR		R6308	1-249-389-11	CARBON 4.7 5% 1/4W	42XBR950	
480		G2	RESISTOR		R6400	1-247-752-11	CARBON 1K 5% 1/2W	42XBR950	
481		G2	RESISTOR		R6401	1-216-829-11	METAL CHIP 4.7K 5% 1/10W	42XBR950	
482		G2	RESISTOR		R6402	1-216-829-11	METAL CHIP 4.7K 5% 1/10W	42XBR950	
483		G2	RESISTOR		R6404	1-216-833-11	METAL CHIP 10K 5% 1/10W	42XBR950	
484		G2	RESISTOR		R6405	1-216-833-11	METAL CHIP 10K 5% 1/10W	42XBR950	
485		G2	RESISTOR		R6406	1-216-829-11	METAL CHIP 4.7K 5% 1/10W	42XBR950	
486		G2	RESISTOR		R6407	1-216-829-11	METAL CHIP 4.7K 5% 1/10W	42XBR950	
487		G2	RESISTOR		R6408	1-216-817-11	METAL CHIP 470 5% 1/10W	42XBR950	
488		G2	RESISTOR		R6409	1-216-821-11	METAL CHIP 1K 5% 1/10W	42XBR950	
489		G2	RESISTOR		R6410	1-218-889-11	METAL CHIP 56K 0.5% 1/10W	42XBR950	
490		G2	RESISTOR		R6411	1-218-871-11	METAL CHIP 10K 0.5% 1/10W	42XBR950	
491		G2	RESISTOR		R6412	1-249-421-11	CARBON 2.2K 5% 1/4W	42XBR950	
492		G2	RESISTOR		R6413	1-218-852-11	METAL CHIP 1.6K 0.5% 1/10W	42XBR950	
493		G2	RESISTOR		R6415	1-218-876-11	METAL CHIP 16K 0.5% 1/10W	42XBR950	
494		G2	RESISTOR		R6416	1-216-864-11	SHORT CHIP 0	42XBR950	
495		G2	RESISTOR		R6417	1-216-864-11	SHORT CHIP 0	42XBR950	
496		G2	RESISTOR		R6418	1-216-829-11	METAL CHIP 4.7K 5% 1/10W	42XBR950	
497		G2	RESISTOR		R6419	1-216-864-11	SHORT CHIP 0	42XBR950	
498		G2	RESISTOR		R6420	1-216-833-11	METAL CHIP 10K 5% 1/10W	42XBR950	
499		G2	RESISTOR		R6421	1-208-840-11	METAL CHIP 270K 0.5% 1/10W	42XBR950	
500		G2	RESISTOR		R6422	1-208-840-11	METAL CHIP 270K 0.5% 1/10W	42XBR950	
501		G2	RESISTOR		R6423	1-208-840-11	METAL CHIP 270K 0.5% 1/10W	42XBR950	
502		G2	RESISTOR		R6424	1-218-760-11	METAL CHIP 220K 0.5% 1/10W	42XBR950	
503		G2	RESISTOR		R6425	1-218-760-11	METAL CHIP 220K 0.5% 1/10W	42XBR950	
504		G2	RESISTOR		R6426	1-216-829-11	METAL CHIP 4.7K 5% 1/10W	42XBR950	
505		G2	RESISTOR		R6427	1-218-823-11	METAL CHIP 100 0.5% 1/10W	42XBR950	
506		G2	RESISTOR		R6428	1-218-760-11	METAL CHIP 220K 0.5% 1/10W	42XBR950	
507		G2	RESISTOR		R6429	1-218-854-11	METAL CHIP 2K 0.5% 1/10W	42XBR950	
508		G2	RESISTOR		R6430	1-218-863-11	METAL CHIP 4.7K 0.5% 1/10W	42XBR950	
509		G2	RESISTOR		R6431	1-216-825-11	METAL CHIP 2.2K 5% 1/10W	42XBR950	
510		G2	RESISTOR		R6432	1-216-821-11	METAL CHIP 1K 5% 1/10W	42XBR950	
511		G2	RESISTOR		R6433	1-216-833-11	METAL CHIP 10K 5% 1/10W	42XBR950	

No.	#	Board	Type	Δ/∇ *	Ref. No.	Part No.	Description	Remarks-1	Remarks-2
512		G2	RESISTOR		R6500	1-249-381-11	CARBON 1 5% 1/4W	42XBR950	
513		G2	RESISTOR		R6501	1-216-150-91	RES-CHIP 10 5% 1/8W	42XBR950	
514		G2	RESISTOR		R6502	1-216-150-91	RES-CHIP 10 5% 1/8W	42XBR950	
515		G2	RESISTOR		R6503	1-249-393-11	CARBON 10 5% 1/4W	42XBR950	
516		G2	RESISTOR		R6504	1-216-864-11	SHORT CHIP 0	42XBR950	
517		G2	RESISTOR		R6505	1-216-864-11	SHORT CHIP 0	42XBR950	
518		G2	RESISTOR		R6506	1-216-817-11	METAL CHIP 470 5% 1/10W	42XBR950	
519		G2	RESISTOR		R6507	1-216-821-11	METAL CHIP 1K 5% 1/10W	42XBR950	
520		G2	RESISTOR		R6508	1-216-864-11	SHORT CHIP 0	42XBR950	
521		G2	RESISTOR		R6509	1-218-869-11	METAL CHIP 8.2K 0.5% 1/10W	42XBR950	
522		G2	RESISTOR		R6510	1-216-839-11	METAL CHIP 33K 5% 1/10W	42XBR950	
523		G2	RESISTOR		R6511	1-218-864-11	METAL CHIP 5.1K 0.5% 1/10W	42XBR950	
524		G2	RESISTOR		R6512	1-218-642-11	METAL OXIDE 100K 5% 1W	42XBR950	
525		G2	RESISTOR		R6513	1-218-835-11	METAL CHIP 330 0.5% 1/10W	42XBR950	
526		G2	RESISTOR		R6514	1-216-150-91	RES-CHIP 10 5% 1/8W	42XBR950	
527		G2	RESISTOR		R6515	1-216-150-91	RES-CHIP 10 5% 1/8W	42XBR950	
528		G2	RESISTOR		R6516	1-216-864-11	SHORT CHIP 0	42XBR950	
529		G2	RELAY		RY6000	1-755-492-11	RELAY (AC POWER)	42XBR950	
530		G2	RELAY		RY6001	1-755-493-11	RELAY (AC POWER)	42XBR950	
531		G2	TRANSFORMER		T6200	1-443-115-11	CONVERTER TRANSFORMER (PIT)	42XBR950	
532		G2	TRANSFORMER		T6201	1-443-115-11	CONVERTER TRANSFORMER (PIT)	42XBR950	
533		G2	TRANSFORMER		T6202	1-443-115-11	CONVERTER TRANSFORMER (PIT)	42XBR950	
534		G2	TRANSFORMER		T6500	1-439-910-11	CONVERTER TRANSFORMER (SRT)	42XBR950	
535		G2	THERMISTOR		TH6300	1-804-045-11	THERMISTOR	42XBR950	
536		G2	THERMISTOR		TH6500	1-803-586-41	THERMISTOR	42XBR950	
537		G2	VARISTOR		VD6000	1-804-995-21	VARISTOR	42XBR950	
538		DES	CAPACITOR		C3105	1-117-863-11	CERAMIC CHIP 0.47UF 10.00% 6.3V		
539		DES	CAPACITOR		C3106	1-107-826-11	CERAMIC CHIP 0.1UF 10.00% 16V		
540		DES	CAPACITOR		C3107	1-125-777-11	CERAMIC CHIP 0.1UF 10.00% 10V		
541		DES	CAPACITOR		C3108	1-117-863-11	CERAMIC CHIP 0.47UF 10.00% 6.3V		
542		DES	CAPACITOR		C3109	1-125-777-11	CERAMIC CHIP 0.1UF 10.00% 10V		
543		DES	CAPACITOR		C3110	1-107-826-11	CERAMIC CHIP 0.1UF 10.00% 16V		
544		DES	CAPACITOR		C3112	1-125-777-11	CERAMIC CHIP 0.1UF 10.00% 10V		
545		DES	CAPACITOR		C3113	1-126-205-11	ELECT CHIP 47UF 20.00% 6.3V		
546		DES	CAPACITOR		C3114	1-164-943-11	CERAMIC CHIP 0.01UF 10.00% 16V		
547		DES	CAPACITOR		C3115	1-164-943-11	CERAMIC CHIP 0.01UF 10.00% 16V		
548		DES	CAPACITOR		C3116	1-164-943-11	CERAMIC CHIP 0.01UF 10.00% 16V		
549		DES	CAPACITOR		C3117	1-164-943-11	CERAMIC CHIP 0.01UF 10.00% 16V		
550		DES	CAPACITOR		C3118	1-164-943-11	CERAMIC CHIP 0.01UF 10.00% 16V		
551		DES	CAPACITOR		C3120	1-164-943-11	CERAMIC CHIP 0.01UF 10.00% 16V		
552		DES	CAPACITOR		C3121	1-164-943-11	CERAMIC CHIP 0.01UF 10.00% 16V		
553		DES	CAPACITOR		C3122	1-127-760-11	CERAMIC CHIP 4.7UF 10% 6.3V		
554		DES	CAPACITOR		C3123	1-164-943-11	CERAMIC CHIP 0.01UF 10.00% 16V		
555		DES	CAPACITOR		C3124	1-164-943-11	CERAMIC CHIP 0.01UF 10.00% 16V		
556		DES	CAPACITOR		C3125	1-164-943-11	CERAMIC CHIP 0.01UF 10.00% 16V		
557		DES	CAPACITOR		C3126	1-164-943-11	CERAMIC CHIP 0.01UF 10.00% 16V		
558		DES	CAPACITOR		C3127	1-164-943-11	CERAMIC CHIP 0.01UF 10.00% 16V		
559		DES	CAPACITOR		C3128	1-125-777-11	CERAMIC CHIP 0.1UF 10.00% 10V		
560		DES	CAPACITOR		C3129	1-126-205-11	ELECT CHIP 47UF 20.00% 6.3V		
561		DES	CAPACITOR		C3130	1-107-826-11	CERAMIC CHIP 0.1UF 10.00% 16V		
562		DES	CAPACITOR		C3131	1-107-826-11	CERAMIC CHIP 0.1UF 10.00% 16V		
563		DES	CAPACITOR		C3133	1-164-937-11	CERAMIC CHIP 0.001UF 10.00% 50V		
564		DES	CAPACITOR		C3136	1-125-777-11	CERAMIC CHIP 0.1UF 10.00% 10V		
565		DES	CAPACITOR		C3201	1-100-158-91	CERAMIC CHIP 1000PF 5% 100V		
566		DES	CAPACITOR		C3203	1-115-670-11	ELECT CHIP 220UF 20.00% 35V		
567		DES	CAPACITOR		C3204	1-115-670-11	ELECT CHIP 220UF 20.00% 35V		
568		DES	CAPACITOR		C3205	1-162-960-11	CERAMIC CHIP 220PF 10.00% 50V		
569		DES	CAPACITOR		C3206	1-115-670-11	ELECT CHIP 220UF 20.00% 35V		
570		DES	CAPACITOR		C3207	1-162-966-11	CERAMIC CHIP 0.0022UF 10.00% 50V		
571		DES	CAPACITOR		C3208	1-115-670-11	ELECT CHIP 220UF 20.00% 35V		
572		DES	CAPACITOR		C3209	1-107-826-11	CERAMIC CHIP 0.1UF 10.00% 16V		
573		DES	CAPACITOR		C3210	1-115-670-11	ELECT CHIP 220UF 20.00% 35V		
574		DES	CAPACITOR		C3211	1-115-670-11	ELECT CHIP 220UF 20.00% 35V		
575		DES	CAPACITOR		C3212	1-115-670-11	ELECT CHIP 220UF 20.00% 35V		
576		DES	CAPACITOR		C3213	1-137-988-91	CERAMIC CHIP 1UF 10% 35V		
577		DES	CAPACITOR		C3214	1-137-988-91	CERAMIC CHIP 1UF 10% 35V		
578		DES	CAPACITOR		C3215	1-137-988-91	CERAMIC CHIP 1UF 10% 35V		
579		DES	CAPACITOR		C3216	1-162-970-11	CERAMIC CHIP 0.01UF 10.00% 25V		
580		DES	CAPACITOR		C3217	1-162-970-11	CERAMIC CHIP 0.01UF 10.00% 25V		
581		DES	CAPACITOR		C3218	1-162-970-11	CERAMIC CHIP 0.01UF 10.00% 25V		
582		DES	CAPACITOR		C3219	1-164-004-11	CERAMIC CHIP 0.1UF 10.00% 25V		
583		DES	CAPACITOR		C3220	1-164-004-11	CERAMIC CHIP 0.1UF 10.00% 25V		
584		DES	CAPACITOR		C3221	1-164-004-11	CERAMIC CHIP 0.1UF 10.00% 25V		

No.	#	Board	Type	△/*	Ref. No.	Part No.	Description	Remarks-1	Remarks-2
585		DES	CAPACITOR		C3222	1-137-894-21	ELECT CHIP 470UF 20% 25V		
586		DES	CAPACITOR		C3223	1-137-894-21	ELECT CHIP 470UF 20% 25V		
587		DES	CAPACITOR		C3224	1-137-894-21	ELECT CHIP 470UF 20% 25V		
588		DES	CAPACITOR		C3225	1-162-964-11	CERAMIC CHIP 0.001UF 10.00% 50V		
589		DES	CAPACITOR		C3226	1-162-964-11	CERAMIC CHIP 0.001UF 10.00% 50V		
590		DES	CAPACITOR		C3227	1-162-964-11	CERAMIC CHIP 0.001UF 10.00% 50V		
591		DES	CAPACITOR		C3301	1-124-778-00	ELECT CHIP 22UF 20.00% 6.3V		
592		DES	CAPACITOR		C3302	1-125-777-11	CERAMIC CHIP 0.1UF 10.00% 10V		
593		DES	CAPACITOR		C3303	1-124-778-00	ELECT CHIP 22UF 20.00% 6.3V		
594		DES	CAPACITOR		C3304	1-107-823-11	CERAMIC CHIP 0.47UF 10.00% 16V		
595		DES	CAPACITOR		C3305	1-126-395-11	ELECT CHIP 22UF 20.00% 16V		
596		DES	CAPACITOR		C3306	1-107-823-11	CERAMIC CHIP 0.47UF 10.00% 16V		
597		DES	CAPACITOR		C3307	1-126-395-11	ELECT CHIP 22UF 20.00% 16V		
598		DES	CAPACITOR		C3308	1-119-923-11	CERAMIC CHIP 0.047UF 10.00% 10V		
599		DES	CAPACITOR		C3309	1-125-777-11	CERAMIC CHIP 0.1UF 10.00% 10V		
600		DES	CAPACITOR		C3310	1-164-935-11	CERAMIC CHIP 470PF 10.00% 50V		
601		DES	CAPACITOR		C3312	1-124-778-00	ELECT CHIP 22UF 20.00% 6.3V		
602		DES	CAPACITOR		C3313	1-164-935-11	CERAMIC CHIP 470PF 10.00% 50V		
603		DES	CAPACITOR		C3315	1-126-205-11	ELECT CHIP 47UF 20.00% 6.3V		
604		DES	CAPACITOR		C3316	1-127-760-11	CERAMIC CHIP 4.7UF 10% 6.3V		
605		DES	CAPACITOR		C3321	1-164-943-11	CERAMIC CHIP 0.01UF 10.00% 16V		
606		DES	CAPACITOR		C3322	1-164-943-11	CERAMIC CHIP 0.01UF 10.00% 16V		
607		DES	CAPACITOR		C3323	1-164-943-11	CERAMIC CHIP 0.01UF 10.00% 16V		
608		DES	CAPACITOR		C3325	1-125-777-11	CERAMIC CHIP 0.1UF 10.00% 10V		
609		DES	CAPACITOR		C3401	1-125-777-11	CERAMIC CHIP 0.1UF 10.00% 10V		
610		DES	CAPACITOR		C3402	1-125-777-11	CERAMIC CHIP 0.1UF 10.00% 10V		
611		DES	CAPACITOR		C3404	1-125-837-91	CERAMIC CHIP 1UF 10% 6.3V		
612		DES	CAPACITOR		C3405	1-125-837-91	CERAMIC CHIP 1UF 10% 6.3V		
613		DES	CAPACITOR		C3406	1-125-837-91	CERAMIC CHIP 1UF 10% 6.3V		
614		DES	CAPACITOR		C3407	1-125-777-11	CERAMIC CHIP 0.1UF 10.00% 10V		
615		DES	CAPACITOR		C3408	1-164-943-11	CERAMIC CHIP 0.01UF 10.00% 16V		
616		DES	CAPACITOR		C3409	1-117-863-11	CERAMIC CHIP 0.47UF 10.00% 6.3V		
617		DES	CAPACITOR		C3410	1-125-777-11	CERAMIC CHIP 0.1UF 10.00% 10V		
618		DES	CAPACITOR		C3414	1-125-777-11	CERAMIC CHIP 0.1UF 10.00% 10V		
619		DES	CAPACITOR		C3415	1-125-777-11	CERAMIC CHIP 0.1UF 10.00% 10V		
620		DES	CAPACITOR		C3416	1-125-777-11	CERAMIC CHIP 0.1UF 10.00% 10V		
621		DES	CAPACITOR		C3417	1-125-777-11	CERAMIC CHIP 0.1UF 10.00% 10V		
622		DES	CAPACITOR		C3418	1-137-710-11	CERAMIC CHIP 10UF 20% 6.3V		
623		DES	CAPACITOR		C3419	1-125-777-11	CERAMIC CHIP 0.1UF 10.00% 10V		
624		DES	CAPACITOR		C3501	1-127-760-11	CERAMIC CHIP 4.7UF 10% 6.3V		
625		DES	CAPACITOR		C3502	1-164-943-11	CERAMIC CHIP 0.01UF 10.00% 16V		
626		DES	CAPACITOR		C3503	1-164-943-11	CERAMIC CHIP 0.01UF 10.00% 16V		
627		DES	CAPACITOR		C3504	1-164-943-11	CERAMIC CHIP 0.01UF 10.00% 16V		
628		DES	CAPACITOR		C3505	1-164-943-11	CERAMIC CHIP 0.01UF 10.00% 16V		
629		DES	CAPACITOR		C3506	1-164-943-11	CERAMIC CHIP 0.01UF 10.00% 16V		
630		DES	CAPACITOR		C3507	1-164-943-11	CERAMIC CHIP 0.01UF 10.00% 16V		
631		DES	CAPACITOR		C3508	1-164-943-11	CERAMIC CHIP 0.01UF 10.00% 16V		
632		DES	CAPACITOR		C3509	1-164-943-11	CERAMIC CHIP 0.01UF 10.00% 16V		
633		DES	CAPACITOR		C3510	1-164-943-11	CERAMIC CHIP 0.01UF 10.00% 16V		
634		DES	CAPACITOR		C3511	1-164-943-11	CERAMIC CHIP 0.01UF 10.00% 16V		
635		DES	CAPACITOR		C3512	1-164-943-11	CERAMIC CHIP 0.01UF 10.00% 16V		
636		DES	CAPACITOR		C3513	1-164-943-11	CERAMIC CHIP 0.01UF 10.00% 16V		
637		DES	CAPACITOR		C3514	1-164-943-11	CERAMIC CHIP 0.01UF 10.00% 16V		
638		DES	CAPACITOR		C3515	1-164-943-11	CERAMIC CHIP 0.01UF 10.00% 16V		
639		DES	CAPACITOR		C3516	1-164-943-11	CERAMIC CHIP 0.01UF 10.00% 16V		
640		DES	CAPACITOR		C3517	1-164-943-11	CERAMIC CHIP 0.01UF 10.00% 16V		
641		DES	CAPACITOR		C3518	1-164-943-11	CERAMIC CHIP 0.01UF 10.00% 16V		
642		DES	CAPACITOR		C3519	1-164-943-11	CERAMIC CHIP 0.01UF 10.00% 16V		
643		DES	CAPACITOR		C3520	1-164-943-11	CERAMIC CHIP 0.01UF 10.00% 16V		
644		DES	CAPACITOR		C3521	1-164-943-11	CERAMIC CHIP 0.01UF 10.00% 16V		
645		DES	CAPACITOR		C3522	1-164-943-11	CERAMIC CHIP 0.01UF 10.00% 16V		
646		DES	CAPACITOR		C3523	1-164-943-11	CERAMIC CHIP 0.01UF 10.00% 16V		
647		DES	CAPACITOR		C3524	1-164-943-11	CERAMIC CHIP 0.01UF 10.00% 16V		
648		DES	CAPACITOR		C3525	1-164-943-11	CERAMIC CHIP 0.01UF 10.00% 16V		
649		DES	CAPACITOR		C3526	1-164-943-11	CERAMIC CHIP 0.01UF 10.00% 16V		
650		DES	CAPACITOR		C3527	1-164-943-11	CERAMIC CHIP 0.01UF 10.00% 16V		
651		DES	CAPACITOR		C3528	1-164-943-11	CERAMIC CHIP 0.01UF 10.00% 16V		
652		DES	CAPACITOR		C3529	1-164-943-11	CERAMIC CHIP 0.01UF 10.00% 16V		
653		DES	CAPACITOR		C3530	1-164-943-11	CERAMIC CHIP 0.01UF 10.00% 16V		
654		DES	CAPACITOR		C3531	1-164-943-11	CERAMIC CHIP 0.01UF 10.00% 16V		
655		DES	CAPACITOR		C3532	1-164-943-11	CERAMIC CHIP 0.01UF 10.00% 16V		
656		DES	CAPACITOR		C3533	1-164-943-11	CERAMIC CHIP 0.01UF 10.00% 16V		
657		DES	CAPACITOR		C3534	1-127-760-11	CERAMIC CHIP 4.7UF 10% 6.3V		

No.	#	Board	Type	Δ/∇ *	Ref. No.	Part No.	Description	Remarks-1	Remarks-2
658		DES	CAPACITOR		C3535	1-127-760-11	CERAMIC CHIP 4.7UF 10% 6.3V		
659		DES	CAPACITOR		C3536	1-164-943-11	CERAMIC CHIP 0.01UF 10.00% 16V		
660		DES	CAPACITOR		C3537	1-164-943-11	CERAMIC CHIP 0.01UF 10.00% 16V		
661		DES	CAPACITOR		C3538	1-164-943-11	CERAMIC CHIP 0.01UF 10.00% 16V		
662		DES	CAPACITOR		C3539	1-164-943-11	CERAMIC CHIP 0.01UF 10.00% 16V		
663		DES	CAPACITOR		C3540	1-164-943-11	CERAMIC CHIP 0.01UF 10.00% 16V		
664		DES	CAPACITOR		C3541	1-164-943-11	CERAMIC CHIP 0.01UF 10.00% 16V		
665		DES	CAPACITOR		C3542	1-164-943-11	CERAMIC CHIP 0.01UF 10.00% 16V		
666		DES	CAPACITOR		C3543	1-164-943-11	CERAMIC CHIP 0.01UF 10.00% 16V		
667		DES	CAPACITOR		C3544	1-164-943-11	CERAMIC CHIP 0.01UF 10.00% 16V		
668		DES	CAPACITOR		C3545	1-164-943-11	CERAMIC CHIP 0.01UF 10.00% 16V		
669		DES	CAPACITOR		C3546	1-164-943-11	CERAMIC CHIP 0.01UF 10.00% 16V		
670		DES	CAPACITOR		C3547	1-164-943-11	CERAMIC CHIP 0.01UF 10.00% 16V		
671		DES	CAPACITOR		C3548	1-164-943-11	CERAMIC CHIP 0.01UF 10.00% 16V		
672		DES	CAPACITOR		C3549	1-164-943-11	CERAMIC CHIP 0.01UF 10.00% 16V		
673		DES	CAPACITOR		C3550	1-164-943-11	CERAMIC CHIP 0.01UF 10.00% 16V		
674		DES	CAPACITOR		C3551	1-164-943-11	CERAMIC CHIP 0.01UF 10.00% 16V		
675		DES	CAPACITOR		C3552	1-164-943-11	CERAMIC CHIP 0.01UF 10.00% 16V		
676		DES	CAPACITOR		C3553	1-164-943-11	CERAMIC CHIP 0.01UF 10.00% 16V		
677		DES	CAPACITOR		C3554	1-164-943-11	CERAMIC CHIP 0.01UF 10.00% 16V		
678		DES	CAPACITOR		C3555	1-164-943-11	CERAMIC CHIP 0.01UF 10.00% 16V		
679		DES	CAPACITOR		C3556	1-164-943-11	CERAMIC CHIP 0.01UF 10.00% 16V		
680		DES	CAPACITOR		C3557	1-164-943-11	CERAMIC CHIP 0.01UF 10.00% 16V		
681		DES	CAPACITOR		C3558	1-164-943-11	CERAMIC CHIP 0.01UF 10.00% 16V		
682		DES	CAPACITOR		C3559	1-164-943-11	CERAMIC CHIP 0.01UF 10.00% 16V		
683		DES	CAPACITOR		C3560	1-164-943-11	CERAMIC CHIP 0.01UF 10.00% 16V		
684		DES	CAPACITOR		C3561	1-164-943-11	CERAMIC CHIP 0.01UF 10.00% 16V		
685		DES	CAPACITOR		C3562	1-164-943-11	CERAMIC CHIP 0.01UF 10.00% 16V		
686		DES	CAPACITOR		C3563	1-164-943-11	CERAMIC CHIP 0.01UF 10.00% 16V		
687		DES	CAPACITOR		C3564	1-164-943-11	CERAMIC CHIP 0.01UF 10.00% 16V		
688		DES	CAPACITOR		C3565	1-164-943-11	CERAMIC CHIP 0.01UF 10.00% 16V		
689		DES	CAPACITOR		C3566	1-164-943-11	CERAMIC CHIP 0.01UF 10.00% 16V		
690		DES	CAPACITOR		C3567	1-164-943-11	CERAMIC CHIP 0.01UF 10.00% 16V		
691		DES	CAPACITOR		C3568	1-164-943-11	CERAMIC CHIP 0.01UF 10.00% 16V		
692		DES	CAPACITOR		C3569	1-164-943-11	CERAMIC CHIP 0.01UF 10.00% 16V		
693		DES	CAPACITOR		C3570	1-164-943-11	CERAMIC CHIP 0.01UF 10.00% 16V		
694		DES	CAPACITOR		C3571	1-164-943-11	CERAMIC CHIP 0.01UF 10.00% 16V		
695		DES	CAPACITOR		C3572	1-164-943-11	CERAMIC CHIP 0.01UF 10.00% 16V		
696		DES	CAPACITOR		C3573	1-164-943-11	CERAMIC CHIP 0.01UF 10.00% 16V		
697		DES	CAPACITOR		C3574	1-164-943-11	CERAMIC CHIP 0.01UF 10.00% 16V		
698		DES	CAPACITOR		C3575	1-164-943-11	CERAMIC CHIP 0.01UF 10.00% 16V		
699		DES	CAPACITOR		C3576	1-164-943-11	CERAMIC CHIP 0.01UF 10.00% 16V		
700		DES	CAPACITOR		C3577	1-164-943-11	CERAMIC CHIP 0.01UF 10.00% 16V		
701		DES	CAPACITOR		C3578	1-164-943-11	CERAMIC CHIP 0.01UF 10.00% 16V		
702		DES	CAPACITOR		C3579	1-164-943-11	CERAMIC CHIP 0.01UF 10.00% 16V		
703		DES	CAPACITOR		C3580	1-164-943-11	CERAMIC CHIP 0.01UF 10.00% 16V		
704		DES	CAPACITOR		C3581	1-164-943-11	CERAMIC CHIP 0.01UF 10.00% 16V		
705		DES	CAPACITOR		C3582	1-164-943-11	CERAMIC CHIP 0.01UF 10.00% 16V		
706		DES	CAPACITOR		C3583	1-164-943-11	CERAMIC CHIP 0.01UF 10.00% 16V		
707		DES	CAPACITOR		C3584	1-164-943-11	CERAMIC CHIP 0.01UF 10.00% 16V		
708		DES	CAPACITOR		C3585	1-125-838-11	CERAMIC CHIP 2.2UF 10% 6.3V		
709		DES	CAPACITOR		C3586	1-127-692-11	CERAMIC CHIP 10UF 10% 16V		
710		DES	CAPACITOR		C3587	1-125-777-11	CERAMIC CHIP 0.1UF 10.00% 10V		
711		DES	CAPACITOR		C3588	1-164-935-11	CERAMIC CHIP 470PF 10.00% 50V		
712		DES	CAPACITOR		C3589	1-125-837-91	CERAMIC CHIP 1UF 10% 6.3V		
713		DES	CAPACITOR		C3590	1-165-880-21	ELECT CHIP 220UF 20% 2.5V		
714		DES	CAPACITOR		C3601	1-125-777-11	CERAMIC CHIP 0.1UF 10.00% 10V		
715		DES	CAPACITOR		C3602	1-125-777-11	CERAMIC CHIP 0.1UF 10.00% 10V		
716		DES	CAPACITOR		C3603	1-125-777-11	CERAMIC CHIP 0.1UF 10.00% 10V		
717		DES	CAPACITOR		C3604	1-125-777-11	CERAMIC CHIP 0.1UF 10.00% 10V		
718		DES	CAPACITOR		C3605	1-125-777-11	CERAMIC CHIP 0.1UF 10.00% 10V		
719		DES	CAPACITOR		C3606	1-125-777-11	CERAMIC CHIP 0.1UF 10.00% 10V		
720		DES	CAPACITOR		C3607	1-125-777-11	CERAMIC CHIP 0.1UF 10.00% 10V		
721		DES	CAPACITOR		C3608	1-125-777-11	CERAMIC CHIP 0.1UF 10.00% 10V		
722		DES	CAPACITOR		C3609	1-125-777-11	CERAMIC CHIP 0.1UF 10.00% 10V		
723		DES	CAPACITOR		C3610	1-125-777-11	CERAMIC CHIP 0.1UF 10.00% 10V		
724		DES	CAPACITOR		C3611	1-125-777-11	CERAMIC CHIP 0.1UF 10.00% 10V		
725		DES	CAPACITOR		C3612	1-125-777-11	CERAMIC CHIP 0.1UF 10.00% 10V		
726		DES	CAPACITOR		C3613	1-125-777-11	CERAMIC CHIP 0.1UF 10.00% 10V		
727		DES	CAPACITOR		C3614	1-125-777-11	CERAMIC CHIP 0.1UF 10.00% 10V		
728		DES	CAPACITOR		C3615	1-125-777-11	CERAMIC CHIP 0.1UF 10.00% 10V		
729		DES	CAPACITOR		C3616	1-125-777-11	CERAMIC CHIP 0.1UF 10.00% 10V		
730		DES	CAPACITOR		C3617	1-125-777-11	CERAMIC CHIP 0.1UF 10.00% 10V		

No.	#	Board	Type	△/*	Ref. No.	Part No.	Description	Remarks-1	Remarks-2
731		DES	CAPACITOR		C3618	1-125-777-11	CERAMIC CHIP 0.1UF 10.00% 10V		
732		DES	CAPACITOR		C3619	1-125-777-11	CERAMIC CHIP 0.1UF 10.00% 10V		
733		DES	CAPACITOR		C3620	1-125-777-11	CERAMIC CHIP 0.1UF 10.00% 10V		
734		DES	CAPACITOR		C3621	1-125-777-11	CERAMIC CHIP 0.1UF 10.00% 10V		
735		DES	CAPACITOR		C3622	1-125-777-11	CERAMIC CHIP 0.1UF 10.00% 10V		
736		DES	CAPACITOR		C3623	1-125-777-11	CERAMIC CHIP 0.1UF 10.00% 10V		
737		DES	CAPACITOR		C3624	1-125-777-11	CERAMIC CHIP 0.1UF 10.00% 10V		
738		DES	CAPACITOR		C3625	1-125-777-11	CERAMIC CHIP 0.1UF 10.00% 10V		
739		DES	CAPACITOR		C3626	1-125-777-11	CERAMIC CHIP 0.1UF 10.00% 10V		
740		DES	CAPACITOR		C3627	1-125-777-11	CERAMIC CHIP 0.1UF 10.00% 10V		
741		DES	CAPACITOR		C3628	1-125-777-11	CERAMIC CHIP 0.1UF 10.00% 10V		
742		DES	CAPACITOR		C3629	1-125-777-11	CERAMIC CHIP 0.1UF 10.00% 10V		
743		DES	CAPACITOR		C3630	1-125-777-11	CERAMIC CHIP 0.1UF 10.00% 10V		
744		DES	CAPACITOR		C3631	1-125-777-11	CERAMIC CHIP 0.1UF 10.00% 10V		
745		DES	CAPACITOR		C3632	1-125-777-11	CERAMIC CHIP 0.1UF 10.00% 10V		
746		DES	CAPACITOR		C3633	1-125-777-11	CERAMIC CHIP 0.1UF 10.00% 10V		
747		DES	CAPACITOR		C3634	1-124-778-00	ELECT CHIP 22UF 20.00% 6.3V		
748		DES	CAPACITOR		C3635	1-164-943-11	CERAMIC CHIP 0.01UF 10.00% 16V		
749		DES	CAPACITOR		C3636	1-125-837-91	CERAMIC CHIP 1UF 10% 6.3V		
750		DES	CAPACITOR		C3637	1-126-246-11	ELECT CHIP 220UF 20.00% 4V		
751		DES	CAPACITOR		C3638	1-127-692-11	CERAMIC CHIP 10UF 10% 16V		
752		DES	CAPACITOR		C3639	1-164-943-11	CERAMIC CHIP 0.01UF 10.00% 16V		
753		DES	CAPACITOR		C3640	1-137-710-11	CERAMIC CHIP 10UF 20% 6.3V		
754		DES	CAPACITOR		C3641	1-126-246-11	ELECT CHIP 220UF 20.00% 4V		
755		DES	CAPACITOR		C3642	1-125-837-91	CERAMIC CHIP 1UF 10% 6.3V		
756		DES	CAPACITOR		C3701	1-119-923-11	CERAMIC CHIP 0.047UF 10.00% 10V		
757		DES	CAPACITOR		C3703	1-119-923-11	CERAMIC CHIP 0.047UF 10.00% 10V		
758		DES	CAPACITOR		C3705	1-119-923-11	CERAMIC CHIP 0.047UF 10.00% 10V		
759		DES	CAPACITOR		C3707	1-164-852-11	CERAMIC CHIP 12PF 5.00% 50V		
760		DES	CAPACITOR		C3708	1-164-852-11	CERAMIC CHIP 12PF 5.00% 50V		
761		DES	CAPACITOR		C3709	1-125-777-11	CERAMIC CHIP 0.1UF 10.00% 10V		
762		DES	CAPACITOR		C3710	1-125-777-11	CERAMIC CHIP 0.1UF 10.00% 10V		
763		DES	CAPACITOR		C3711	1-137-710-11	CERAMIC CHIP 10UF 20% 6.3V		
764		DES	CAPACITOR		C3712	1-125-777-11	CERAMIC CHIP 0.1UF 10.00% 10V		
765		DES	CAPACITOR		C3713	1-125-777-11	CERAMIC CHIP 0.1UF 10.00% 10V		
766		DES	CAPACITOR		C3714	1-125-777-11	CERAMIC CHIP 0.1UF 10.00% 10V		
767		DES	CAPACITOR		C3715	1-125-777-11	CERAMIC CHIP 0.1UF 10.00% 10V		
768		DES	CAPACITOR		C3716	1-125-777-11	CERAMIC CHIP 0.1UF 10.00% 10V		
769		DES	CAPACITOR		C3801	1-107-826-11	CERAMIC CHIP 0.1UF 10.00% 16V		
770		DES	CAPACITOR		C3802	1-107-826-11	CERAMIC CHIP 0.1UF 10.00% 16V		
771		DES	CAPACITOR		C3803	1-162-962-11	CERAMIC CHIP 470PF 10.00% 50V		
772		DES	CAPACITOR		C3804	1-107-826-11	CERAMIC CHIP 0.1UF 10.00% 16V		
773		DES	CAPACITOR		C3805	1-100-155-91	CERAMIC CHIP 470PF 5% 100V		
774		DES	CAPACITOR		C3806	1-107-826-11	CERAMIC CHIP 0.1UF 10.00% 16V		
775		DES	CAPACITOR		C3807	1-162-962-11	CERAMIC CHIP 470PF 10.00% 50V		
776		DES	CAPACITOR		C3808	1-162-962-11	CERAMIC CHIP 470PF 10.00% 50V		
777		DES	CAPACITOR		C3809	1-107-826-11	CERAMIC CHIP 0.1UF 10.00% 16V		
778		DES	CAPACITOR		C3810	1-117-681-11	ELECT CHIP 100UF 20.00% 16V		
779		DES	CAPACITOR		C3811	1-107-826-11	CERAMIC CHIP 0.1UF 10.00% 16V		
780		DES	CAPACITOR		C3812	1-127-820-11	CERAMIC CHIP 4.7UF 10% 16V		
781		DES	CAPACITOR		C3813	1-125-777-11	CERAMIC CHIP 0.1UF 10.00% 10V		
782		DES	CONNECTOR		CN3101	1-817-112-11	HALF PITCH CONNECTOR (26PIN)		
783		DES	CONNECTOR		CN3102	1-817-120-11	CONNECTOR, DVI-D		
784		DES	CONNECTOR	*	CN3201	1-770-468-21	PIN, CONNECTOR (PC BOARD) 10P		
785		DES	CONNECTOR	*	CN3301	1-779-268-21	PIN, CONNECTOR (1.5MM)(SMD)11P		
786		DES	CONNECTOR		CN3307	1-573-290-91	PIN, CONNECTOR 4P		
787		DES	CONNECTOR	*	CN3802	1-573-768-21	PIN, CONNECTOR (1.5MM) (SMD)5P		
788		DES	DIODE		D3101	8-719-069-55	DIODE UDZSTE-175.6B		
789		DES	DIODE		D3103	8-719-069-55	DIODE UDZSTE-175.6B		
790		DES	DIODE		D3108	8-719-024-77	DIODE HN1D03FU-TE85L		
791		DES	DIODE		D3109	8-719-024-77	DIODE HN1D03FU-TE85L		
792		DES	DIODE		D3110	8-719-024-77	DIODE HN1D03FU-TE85L		
793		DES	DIODE		D3111	8-719-024-77	DIODE HN1D03FU-TE85L		
794		DES	DIODE		D3112	8-719-069-55	DIODE UDZSTE-175.6B		
795		DES	DIODE		D3115	6-500-758-01	DIODE RCLAMP0504M.TBT		
796		DES	DIODE		D3116	6-500-758-01	DIODE RCLAMP0504M.TBT		
797		DES	DIODE		D3118	8-719-941-86	DIODE DAN202U		
798		DES	DIODE		D3119	8-719-071-34	DIODE RB521S-30-TE61		
799		DES	DIODE		D3201	8-719-072-43	DIODE RB050L-40TE25		
800		DES	DIODE		D3202	8-719-072-43	DIODE RB050L-40TE25		
801		DES	DIODE		D3203	8-719-072-43	DIODE RB050L-40TE25		
802		DES	DIODE		D3207	6-500-294-01	DIODE PTZ-TE25-3.9B		
803		DES	DIODE		D3209	6-500-294-01	DIODE PTZ-TE25-3.9B		

No.	#	Board	Type	△/*	Ref. No.	Part No.	Description	Remarks-1	Remarks-2
804		DES	DIODE		D3211	6-500-295-01	DIODE PTZ-TE25-5.6B		
805		DES	DIODE		D3213	8-719-081-97	DIODE MMDL914T1		
806		DES	DIODE		D3302	8-719-081-97	DIODE MMDL914T1		
807		DES	DIODE		D3401	8-719-083-58	DIODE UDZSTE-173.9B		
808		DES	DIODE		D3402	8-719-081-19	DIODE 1SS383(T5RSONY1)		
809		DES	DIODE		D3404	8-719-404-50	DIODE MA111-TX		
810		DES	FUSE	△	F3201	1-533-999-21	FUSE 2A 125V		
811		DES	FERRITE BEAD		FB3101	1-414-445-11	FERRITE 0UH		
812		DES	FERRITE BEAD		FB3102	1-414-445-11	FERRITE 0UH		
813		DES	FERRITE BEAD		FB3103	1-414-445-11	FERRITE 0UH		
814		DES	FERRITE BEAD		FB3104	1-414-445-11	FERRITE 0UH		
815		DES	FERRITE BEAD		FB3105	1-412-026-11	INDUCTOR 1UH		
816		DES	FERRITE BEAD		FB3106	1-414-445-11	FERRITE 0UH		
817		DES	FERRITE BEAD		FB3107	1-414-445-11	FERRITE 0UH		
818		DES	FERRITE BEAD		FB3108	1-414-445-11	FERRITE 0UH		
819		DES	FERRITE BEAD		FB3201	1-469-775-21	FERRITE 0UH		
820		DES	FERRITE BEAD		FB3202	1-469-775-21	FERRITE 0UH		
821		DES	FERRITE BEAD		FB3203	1-414-228-11	FERRITE 0UH		
822		DES	FERRITE BEAD		FB3204	1-414-228-11	FERRITE 0UH		
823		DES	FERRITE BEAD		FB3301	1-414-228-11	FERRITE 0UH		
824		DES	FERRITE BEAD		FB3302	1-414-228-11	FERRITE 0UH		
825		DES	FERRITE BEAD		FB3303	1-414-864-11	FERRITE 0UH		
826		DES	FERRITE BEAD		FB3304	1-414-445-11	FERRITE 0UH		
827		DES	FERRITE BEAD		FB3306	1-414-445-11	FERRITE 0UH		
828		DES	FERRITE BEAD		FB3307	1-414-445-11	FERRITE 0UH		
829		DES	FERRITE BEAD		FB3308	1-414-228-11	FERRITE 0UH		
830		DES	FERRITE BEAD		FB3309	1-414-228-11	FERRITE 0UH		
831		DES	FERRITE BEAD		FB3310	1-414-228-11	FERRITE 0UH		
832		DES	FERRITE BEAD		FB3311	1-414-228-11	FERRITE 0UH		
833		DES	FERRITE BEAD		FB3312	1-414-445-11	FERRITE 0UH		
834		DES	FERRITE BEAD		FB3313	1-414-445-11	FERRITE 0UH		
835		DES	FERRITE BEAD		FB3402	1-414-445-11	FERRITE 0UH		
836		DES	FERRITE BEAD		FB3403	1-414-445-11	FERRITE 0UH		
837		DES	FERRITE BEAD		FB3404	1-414-445-11	FERRITE 0UH		
838		DES	FERRITE BEAD		FB3501	1-414-864-11	FERRITE 0UH		
839		DES	FERRITE BEAD		FB3502	1-414-864-11	FERRITE 0UH		
840		DES	FERRITE BEAD		FB3503	1-414-864-11	FERRITE 0UH		
841		DES	FERRITE BEAD		FB3504	1-414-864-11	FERRITE 0UH		
842		DES	FERRITE BEAD		FB3601	1-414-864-11	FERRITE 0UH		
843		DES	FERRITE BEAD		FB3602	1-414-864-11	FERRITE 0UH		
844		DES	FERRITE BEAD		FB3603	1-414-864-11	FERRITE 0UH		
845		DES	FERRITE BEAD		FB3701	1-414-864-11	FERRITE 0UH		
846		DES	FERRITE BEAD		FB3702	1-414-864-11	FERRITE 0UH		
847		DES	FERRITE BEAD		FB3801	1-414-445-11	FERRITE 0UH		
848		DES	FERRITE BEAD		FB3802	1-469-775-21	FERRITE 0UH		
849		DES	FERRITE BEAD		FB3803	1-216-295-91	SHORT CHIP 0		
850		DES	FILTER		FL3101	1-234-177-21	FERRITE 0UH		
851		DES	FILTER		FL3201	1-411-957-11	FILTER, COMMON MODE		
852		DES	FILTER		FL3301	1-234-119-21	FERRITE 0UH		
853		DES	IC		IC3101	8-759-338-95	IC NJM2903V(TE2)		
854		DES	IC		IC3102	6-705-382-01	IC SN65LVDS179DGKR		
855		DES	IC		IC3103	6-705-382-01	IC SN65LVDS179DGKR		
856		DES	IC		IC3104	8-759-683-99	IC BA8274F-E2		
857		DES	IC		IC3107	8-759-596-39	IC SN74LV4052APWR		
858		DES	IC		IC3108	6-700-150-01	IC M24C04-WMN6T(A)		
859		DES	IC		IC3109	6-703-097-01	IC TFP501PZP		
860		DES	IC		IC3110	8-759-549-01	IC SN74LV125APWR		
861		DES	IC		IC3111	6-704-351-01	IC SN74LVC2G08DCUR		
862		DES	IC		IC3201	8-759-338-95	IC NJM2903V(TE2)		
863		DES	IC		IC3202	6-704-407-01	IC PQ1CZ41H2ZPH		
864		DES	IC		IC3203	6-704-407-01	IC PQ1CZ41H2ZPH		
865		DES	IC		IC3204	6-704-407-01	IC PQ1CZ41H2ZPH		
866		DES	IC		IC3301	6-704-351-01	IC SN74LVC2G08DCUR		
867		DES	IC		IC3302	6-700-263-01	IC NJM2870F18(TE2)		
868		DES	IC		IC3303	6-701-977-01	IC MM1565AFBE		
869		DES	IC		IC3304	6-702-362-01	IC MM1563DFBE		
870		DES	IC		IC3306	6-702-481-01	IC PCA9555DB-118		
871		DES	IC		IC3307	8-759-567-08	IC MB88141APF-ER		
872		DES	IC		IC3308	6-704-083-01	IC SN74LVC2G00DCUR		
873		DES	IC		IC3401	6-704-654-01	IC MB91306RPFV-G-BND-E1		
874		DES	IC		IC3402	6-703-175-01	IC PST3629UL		
875		DES	IC		IC3403	6-803-942-01	IC MBM29LV800TA-70PFTN-DE2LH		
876		DES	IC		IC3404	6-702-688-01	IC M24C64-WMN6T(B)		

No.	#	Board	Type	△/*	Ref. No.	Part No.	Description	Remarks-1	Remarks-2
877		DES	IC		IC3405	6-703-006-01	IC SN74CBTLV16210GR		
878		DES	IC		IC3406	6-703-006-01	IC SN74CBTLV16210GR		
879		DES	IC		IC3501	6-705-919-01	IC CXD9762AGF	32XBR950	
880		DES	IC		IC3501	6-704-515-01	IC CXD9762GF	42XBR950	
881		DES	IC		IC3502	8-759-694-55	IC MAX1644EAE-TG074		
882		DES	IC		IC3602	6-705-089-01	IC K4D263238F-UC50T		
883		DES	IC		IC3603	6-704-520-01	IC MAX1809EEE+TG068		
884		DES	IC		IC3801	6-703-073-01	IC THC63LVDM83C-T		
885		DES	COIL		L3201	1-456-504-21	INDUCTOR 100UH		
886		DES	COIL		L3202	1-419-524-21	INDUCTOR 100UH		
887		DES	COIL		L3203	1-456-066-21	INDUCTOR 220UH		
888		DES	COIL		L3501	1-419-630-21	INDUCTOR 4.7UH		
889		DES	COIL		L3601	1-419-630-21	INDUCTOR 4.7UH		
890		DES	TRANSISTOR		Q3101	8-729-029-14	TRANSISTOR DTC144EUA-T106		
891		DES	TRANSISTOR		Q3105	6-550-014-01	TRANSISTOR SSM6N15FU(TE85R)		
892		DES	TRANSISTOR		Q3106	8-729-907-00	TRANSISTOR DTC114EU		
893		DES	TRANSISTOR		Q3107	8-729-046-75	TRANSISTOR SI2301DS-T1		
894		DES	TRANSISTOR		Q3108	8-729-907-00	TRANSISTOR DTC114EU		
895		DES	TRANSISTOR		Q3112	8-729-907-00	TRANSISTOR DTC114EU		
896		DES	TRANSISTOR		Q3113	6-550-014-01	TRANSISTOR SSM6N15FU(TE85R)		
897		DES	TRANSISTOR		Q3120	8-729-021-23	TRANSISTOR RN4902(TE85R)		
898		DES	TRANSISTOR		Q3121	8-729-021-23	TRANSISTOR RN4902(TE85R)		
899		DES	TRANSISTOR		Q3122	8-729-021-23	TRANSISTOR RN4902(TE85R)		
900		DES	TRANSISTOR		Q3123	8-729-021-23	TRANSISTOR RN4902(TE85R)		
901		DES	TRANSISTOR		Q3303	6-550-014-01	TRANSISTOR SSM6N15FU(TE85R)		
902		DES	TRANSISTOR		Q3304	8-729-026-53	TRANSISTOR 2SA1576A-T106-QR		
903		DES	TRANSISTOR		Q3305	6-550-014-01	TRANSISTOR SSM6N15FU(TE85R)		
904		DES	TRANSISTOR		Q3306	8-729-026-53	TRANSISTOR 2SA1576A-T106-QR		
905		DES	TRANSISTOR		Q3307	8-729-907-00	TRANSISTOR DTC114EU		
906		DES	RESISTOR		R3101	1-216-864-11	SHORT CHIP 0		
907		DES	RESISTOR		R3102	1-216-864-11	SHORT CHIP 0		
908		DES	RESISTOR		R3103	1-218-961-11	RES-CHIP 4.7K 5% 1/16W		
909		DES	RESISTOR		R3104	1-216-864-11	SHORT CHIP 0		
910		DES	RESISTOR		R3105	1-218-965-11	RES-CHIP 10K 5% 1/16W		
911		DES	RESISTOR		R3106	1-216-864-11	SHORT CHIP 0		
912		DES	RESISTOR		R3107	1-216-809-11	METAL CHIP 100 5% 1/10W		
913		DES	RESISTOR		R3108	1-216-809-11	METAL CHIP 100 5% 1/10W		
914		DES	RESISTOR		R3109	1-218-823-11	METAL CHIP 100 0.5% 1/10W		
915		DES	RESISTOR		R3110	1-218-973-11	RES-CHIP 47K 5% 1/16W		
916		DES	RESISTOR		R3111	1-218-965-11	RES-CHIP 10K 5% 1/16W		
917		DES	RESISTOR		R3113	1-216-809-11	METAL CHIP 100 5% 1/10W		
918		DES	RESISTOR		R3114	1-216-809-11	METAL CHIP 100 5% 1/10W		
919		DES	RESISTOR		R3115	1-216-864-11	SHORT CHIP 0		
920		DES	RESISTOR		R3117	1-218-965-11	RES-CHIP 10K 5% 1/16W		
921		DES	RESISTOR		R3118	1-218-973-11	RES-CHIP 47K 5% 1/16W		
922		DES	RESISTOR		R3119	1-218-965-11	RES-CHIP 10K 5% 1/16W		
923		DES	RESISTOR		R3120	1-218-961-11	RES-CHIP 4.7K 5% 1/16W		
924		DES	RESISTOR		R3121	1-218-961-11	RES-CHIP 4.7K 5% 1/16W		
925		DES	RESISTOR		R3125	1-216-833-11	METAL CHIP 10K 5% 1/10W		
926		DES	RESISTOR		R3127	1-218-823-11	METAL CHIP 100 0.5% 1/10W		
927		DES	RESISTOR		R3132	1-216-809-11	METAL CHIP 100 5% 1/10W		
928		DES	RESISTOR		R3133	1-218-965-11	RES-CHIP 10K 5% 1/16W		
929		DES	RESISTOR		R3135	1-218-961-11	RES-CHIP 4.7K 5% 1/16W		
930		DES	RESISTOR		R3136	1-218-961-11	RES-CHIP 4.7K 5% 1/16W		
931		DES	RESISTOR		R3137	1-218-961-11	RES-CHIP 4.7K 5% 1/16W		
932		DES	RESISTOR		R3138	1-218-961-11	RES-CHIP 4.7K 5% 1/16W		
933		DES	RESISTOR		R3139	1-218-953-11	RES-CHIP 1K 5% 1/16W		
934		DES	RESISTOR		R3141	1-218-965-11	RES-CHIP 10K 5% 1/16W		
935		DES	RESISTOR		R3142	1-218-965-11	RES-CHIP 10K 5% 1/16W		
936		DES	RESISTOR		R3144	1-218-990-11	SHORT CHIP 0		
937		DES	RESISTOR		R3146	1-218-990-11	SHORT CHIP 0		
938		DES	RESISTOR		R3147	1-218-990-11	SHORT CHIP 0		
939		DES	RESISTOR		R3150	1-218-933-11	RES-CHIP 22 5% 1/16W		
940		DES	RESISTOR		R3152	1-218-961-11	RES-CHIP 4.7K 5% 1/16W		
941		DES	RESISTOR		R3153	1-218-965-11	RES-CHIP 10K 5% 1/16W		
942		DES	RESISTOR		R3154	1-218-933-11	RES-CHIP 22 5% 1/16W		
943		DES	RESISTOR		R3155	1-218-933-11	RES-CHIP 22 5% 1/16W		
944		DES	RESISTOR		R3156	1-218-933-11	RES-CHIP 22 5% 1/16W		
945		DES	RESISTOR		R3157	1-218-933-11	RES-CHIP 22 5% 1/16W		
946		DES	RESISTOR		R3160	1-216-833-11	METAL CHIP 10K 5% 1/10W		
947		DES	RESISTOR		R3161	1-216-829-11	METAL CHIP 4.7K 5% 1/10W		
948		DES	RESISTOR		R3162	1-216-829-11	METAL CHIP 4.7K 5% 1/10W		
949		DES	RESISTOR		R3166	1-216-809-11	METAL CHIP 100 5% 1/10W		

No.	#	Board	Type	Δ /*	Ref. No.	Part No.	Description	Remarks-1	Remarks-2
950		DES	RESISTOR		R3167	1-216-809-11	METAL CHIP 100 5% 1/10W		
951		DES	RESISTOR		R3169	1-216-864-11	SHORT CHIP 0		
952		DES	RESISTOR		R3170	1-216-864-11	SHORT CHIP 0		
953		DES	RESISTOR		R3171	1-218-953-11	RES-CHIP 1K 5% 1/16W		
954		DES	RESISTOR		R3172	1-218-965-11	RES-CHIP 10K 5% 1/16W		
955		DES	RESISTOR		R3173	1-218-965-11	RES-CHIP 10K 5% 1/16W		
956		DES	RESISTOR		R3201	1-216-864-11	SHORT CHIP 0		
957		DES	RESISTOR		R3202	1-218-895-11	METAL CHIP 100K 0.5% 1/10W		
958		DES	RESISTOR		R3203	1-218-877-11	METAL CHIP 18K 0.5% 1/10W		
959		DES	RESISTOR		R3204	1-218-879-11	METAL CHIP 22K 0.5% 1/10W		
960		DES	RESISTOR		R3205	1-218-854-11	METAL CHIP 2K 0.5% 1/10W		
961		DES	RESISTOR		R3206	1-218-883-11	METAL CHIP 33K 0.5% 1/10W		
962		DES	RESISTOR		R3207	1-216-295-91	SHORT CHIP 0		
963		DES	RESISTOR		R3208	1-218-907-11	METAL CHIP 330K 0.5% 1/10W		
964		DES	RESISTOR		R3209	1-216-833-11	METAL CHIP 10K 5% 1/10W		
965		DES	RESISTOR		R3211	1-216-864-11	SHORT CHIP 0		
966		DES	RESISTOR		R3212	1-216-295-91	SHORT CHIP 0		
967		DES	RESISTOR		R3213	1-216-864-11	SHORT CHIP 0		
968		DES	RESISTOR		R3214	1-216-295-91	SHORT CHIP 0		
969		DES	RESISTOR		R3215	1-216-864-11	SHORT CHIP 0		
970		DES	RESISTOR		R3216	1-216-295-91	SHORT CHIP 0		
971		DES	RESISTOR		R3217	1-216-829-11	METAL CHIP 4.7K 5% 1/10W		
972		DES	RESISTOR		R3220	1-216-841-11	METAL CHIP 47K 5% 1/10W		
973		DES	RESISTOR		R3221	1-216-295-91	SHORT CHIP 0		
974		DES	RESISTOR		R3222	1-216-295-91	SHORT CHIP 0		
975		DES	RESISTOR		R3223	1-216-295-91	SHORT CHIP 0		
976		DES	RESISTOR		R3225	1-216-295-91	SHORT CHIP 0		
977		DES	RESISTOR		R3229	1-218-851-11	METAL CHIP 1.5K 0.5% 1/10W		
978		DES	RESISTOR		R3230	1-218-849-11	METAL CHIP 1.2K 0.5% 1/10W		
979		DES	RESISTOR		R3231	1-218-861-11	METAL CHIP 3.9K 0.5% 1/10W		
980		DES	RESISTOR		R3232	1-218-856-11	METAL CHIP 2.4K 0.5% 1/10W		
981		DES	RESISTOR		R3233	1-218-861-11	METAL CHIP 3.9K 0.5% 1/10W		
982		DES	RESISTOR		R3234	1-218-850-11	METAL CHIP 1.3K 0.5% 1/10W		
983		DES	RESISTOR		R3235	1-218-865-11	METAL CHIP 5.6K 0.5% 1/10W		
984		DES	RESISTOR		R3238	1-216-295-91	SHORT CHIP 0		
985		DES	RESISTOR		R3245	1-216-833-11	METAL CHIP 10K 5% 1/10W		
986		DES	RESISTOR		R3247	1-216-864-11	SHORT CHIP 0		
987		DES	RESISTOR		R3251	1-216-833-11	METAL CHIP 10K 5% 1/10W		
988		DES	RESISTOR		R3303	1-218-973-11	RES-CHIP 47K 5% 1/16W		
989		DES	RESISTOR		R3304	1-218-965-11	RES-CHIP 10K 5% 1/16W		
990		DES	RESISTOR		R3305	1-218-965-11	RES-CHIP 10K 5% 1/16W		
991		DES	RESISTOR		R3306	1-216-864-11	SHORT CHIP 0		
992		DES	RESISTOR		R3312	1-218-953-11	RES-CHIP 1K 5% 1/16W		
993		DES	RESISTOR		R3315	1-218-961-11	RES-CHIP 4.7K 5% 1/16W		
994		DES	RESISTOR		R3316	1-218-961-11	RES-CHIP 4.7K 5% 1/16W		
995		DES	RESISTOR		R3317	1-218-953-11	RES-CHIP 1K 5% 1/16W		
996		DES	RESISTOR		R3318	1-218-895-11	METAL CHIP 100K 0.5% 1/10W		
997		DES	RESISTOR		R3327	1-218-953-11	RES-CHIP 1K 5% 1/16W		
998		DES	RESISTOR		R3329	1-218-953-11	RES-CHIP 1K 5% 1/16W		
999		DES	RESISTOR		R3332	1-216-833-11	METAL CHIP 10K 5% 1/10W		
1000		DES	RESISTOR		R3333	1-216-833-11	METAL CHIP 10K 5% 1/10W		
1001		DES	RESISTOR		R3334	1-216-833-11	METAL CHIP 10K 5% 1/10W		
1002		DES	RESISTOR		R3335	1-216-833-11	METAL CHIP 10K 5% 1/10W		
1003		DES	RESISTOR		R3336	1-216-829-11	METAL CHIP 4.7K 5% 1/10W		
1004		DES	RESISTOR		R3337	1-216-829-11	METAL CHIP 4.7K 5% 1/10W		
1005		DES	RESISTOR		R3338	1-216-833-11	METAL CHIP 10K 5% 1/10W		
1006		DES	RESISTOR		R3339	1-216-864-11	SHORT CHIP 0		
1007		DES	RESISTOR		R3340	1-216-864-11	SHORT CHIP 0		
1008		DES	RESISTOR		R3341	1-216-864-11	SHORT CHIP 0		
1009		DES	RESISTOR		R3342	1-216-864-11	SHORT CHIP 0		
1010		DES	RESISTOR		R3343	1-216-864-11	SHORT CHIP 0		
1011		DES	RESISTOR		R3344	1-216-864-11	SHORT CHIP 0		
1012		DES	RESISTOR		R3345	1-216-864-11	SHORT CHIP 0		
1013		DES	RESISTOR		R3349	1-216-833-11	METAL CHIP 10K 5% 1/10W		
1014		DES	RESISTOR		R3350	1-216-833-11	METAL CHIP 10K 5% 1/10W		
1015		DES	RESISTOR		R3351	1-216-833-11	METAL CHIP 10K 5% 1/10W		
1016		DES	RESISTOR		R3356	1-216-864-11	SHORT CHIP 0		
1017		DES	RESISTOR		R3357	1-216-864-11	SHORT CHIP 0		
1018		DES	RESISTOR		R3358	1-216-864-11	SHORT CHIP 0		
1019		DES	RESISTOR		R3359	1-216-864-11	SHORT CHIP 0		
1020		DES	RESISTOR		R3401	1-218-965-11	RES-CHIP 10K 5% 1/16W		
1021		DES	RESISTOR		R3402	1-218-965-11	RES-CHIP 10K 5% 1/16W		
1022		DES	RESISTOR		R3403	1-218-965-11	RES-CHIP 10K 5% 1/16W		

No.	#	Board	Type	△/*	Ref. No.	Part No.	Description	Remarks-1	Remarks-2
1023		DES	RESISTOR		R3404	1-218-965-11	RES-CHIP 10K 5% 1/16W		
1024		DES	RESISTOR		R3405	1-218-965-11	RES-CHIP 10K 5% 1/16W		
1025		DES	RESISTOR		R3406	1-218-965-11	RES-CHIP 10K 5% 1/16W		
1026		DES	RESISTOR		R3408	1-208-707-11	METAL CHIP 10K 0.5% 1/16W		
1027		DES	RESISTOR		R3409	1-208-707-11	METAL CHIP 10K 0.5% 1/16W		
1028		DES	RESISTOR		R3410	1-208-707-11	METAL CHIP 10K 0.5% 1/16W		
1029		DES	RESISTOR		R3411	1-218-965-11	RES-CHIP 10K 5% 1/16W		
1030		DES	RESISTOR		R3412	1-216-821-11	METAL CHIP 1K 5% 1/10W		
1031		DES	RESISTOR		R3413	1-216-809-11	METAL CHIP 100 5% 1/10W		
1032		DES	RESISTOR		R3414	1-218-965-11	RES-CHIP 10K 5% 1/16W		
1033		DES	RESISTOR		R3415	1-216-809-11	METAL CHIP 100 5% 1/10W		
1034		DES	RESISTOR		R3416	1-216-809-11	METAL CHIP 100 5% 1/10W		
1035		DES	RESISTOR		R3419	1-218-973-11	RES-CHIP 47K 5% 1/16W		
1036		DES	RESISTOR		R3422	1-218-965-11	RES-CHIP 10K 5% 1/16W		
1037		DES	RESISTOR		R3423	1-218-990-11	SHORT CHIP 0		
1038		DES	RESISTOR		R3425	1-218-965-11	RES-CHIP 10K 5% 1/16W		
1039		DES	RESISTOR		R3427	1-218-965-11	RES-CHIP 10K 5% 1/16W		
1040		DES	RESISTOR		R3428	1-218-965-11	RES-CHIP 10K 5% 1/16W		
1041		DES	RESISTOR		R3429	1-218-965-11	RES-CHIP 10K 5% 1/16W		
1042		DES	RESISTOR		R3434	1-218-965-11	RES-CHIP 10K 5% 1/16W		
1043		DES	RESISTOR		R3435	1-218-965-11	RES-CHIP 10K 5% 1/16W		
1044		DES	RESISTOR		R3436	1-218-965-11	RES-CHIP 10K 5% 1/16W		
1045		DES	RESISTOR		R3438	1-218-965-11	RES-CHIP 10K 5% 1/16W		
1046		DES	RESISTOR		R3439	1-218-965-11	RES-CHIP 10K 5% 1/16W		
1047		DES	RESISTOR		R3440	1-218-965-11	RES-CHIP 10K 5% 1/16W		
1048		DES	RESISTOR		R3441	1-218-965-11	RES-CHIP 10K 5% 1/16W		
1049		DES	RESISTOR		R3442	1-218-990-11	SHORT CHIP 0		
1050		DES	RESISTOR		R3445	1-218-957-11	RES-CHIP 2.2K 5% 1/16W		
1051		DES	RESISTOR		R3446	1-218-961-11	RES-CHIP 4.7K 5% 1/16W		
1052		DES	RESISTOR		R3447	1-218-957-11	RES-CHIP 2.2K 5% 1/16W		
1053		DES	RESISTOR		R3448	1-218-961-11	RES-CHIP 4.7K 5% 1/16W		
1054		DES	RESISTOR		R3449	1-216-809-11	METAL CHIP 100 5% 1/10W		
1055		DES	RESISTOR		R3450	1-216-809-11	METAL CHIP 100 5% 1/10W		
1056		DES	RESISTOR		R3451	1-218-961-11	RES-CHIP 4.7K 5% 1/16W		
1057		DES	RESISTOR		R3453	1-218-965-11	RES-CHIP 10K 5% 1/16W		
1058		DES	RESISTOR		R3456	1-218-965-11	RES-CHIP 10K 5% 1/16W		
1059		DES	RESISTOR		R3457	1-218-965-11	RES-CHIP 10K 5% 1/16W		
1060		DES	RESISTOR		R3458	1-218-965-11	RES-CHIP 10K 5% 1/16W		
1061		DES	RESISTOR		R3459	1-218-965-11	RES-CHIP 10K 5% 1/16W		
1062		DES	RESISTOR		R3464	1-218-965-11	RES-CHIP 10K 5% 1/16W		
1063		DES	RESISTOR		R3465	1-218-965-11	RES-CHIP 10K 5% 1/16W		
1064		DES	RESISTOR		R3466	1-216-809-11	METAL CHIP 100 5% 1/10W		
1065		DES	RESISTOR		R3469	1-216-809-11	METAL CHIP 100 5% 1/10W		
1066		DES	RESISTOR		R3470	1-218-965-11	RES-CHIP 10K 5% 1/16W		
1067		DES	RESISTOR		R3471	1-208-707-11	METAL CHIP 10K 0.5% 1/16W		
1068		DES	RESISTOR		R3474	1-218-965-11	RES-CHIP 10K 5% 1/16W		
1069		DES	RESISTOR		R3475	1-218-965-11	RES-CHIP 10K 5% 1/16W		
1070		DES	RESISTOR		R3477	1-218-965-11	RES-CHIP 10K 5% 1/16W		
1071		DES	RESISTOR		R3478	1-218-965-11	RES-CHIP 10K 5% 1/16W		
1072		DES	RESISTOR		R3505	1-218-933-11	RES-CHIP 22 5% 1/16W		
1073		DES	RESISTOR		R3506	1-218-990-11	SHORT CHIP 0		
1074		DES	RESISTOR		R3507	1-218-990-11	SHORT CHIP 0		
1075		DES	RESISTOR		R3509	1-208-635-11	METAL CHIP 10 0.5% 1/16W		
1076		DES	RESISTOR		R3510	1-218-981-11	RES-CHIP 220K 5% 1/16W		
1077		DES	RESISTOR		R3511	1-208-920-81	METAL CHIP 24K 0.5% 1/16W		
1078		DES	RESISTOR		R3512	1-208-927-11	METAL CHIP 47K 0.5% 1/16W		
1079		DES	RESISTOR		R3513	1-240-247-91	RES, SQUARE TYPE CHIP 0.1		
1080		DES	RESISTOR		R3514	1-240-247-91	RES, SQUARE TYPE CHIP 0.1		
1081		DES	RESISTOR		R3601	1-218-965-11	RES-CHIP 10K 5% 1/16W		
1082		DES	RESISTOR		R3602	1-218-937-11	RES-CHIP 47 5% 1/16W		
1083		DES	RESISTOR		R3603	1-218-933-11	RES-CHIP 22 5% 1/16W		
1084		DES	RESISTOR		R3604	1-218-933-11	RES-CHIP 22 5% 1/16W		
1085		DES	RESISTOR		R3605	1-208-707-11	METAL CHIP 10K 0.5% 1/16W		
1086		DES	RESISTOR		R3606	1-208-707-11	METAL CHIP 10K 0.5% 1/16W		
1087		DES	RESISTOR		R3607	1-208-635-11	METAL CHIP 10 0.5% 1/16W		
1088		DES	RESISTOR		R3608	1-220-205-11	RES-CHIP 75K 5% 1/16W		
1089		DES	RESISTOR		R3609	1-216-864-11	SHORT CHIP 0		
1090		DES	RESISTOR		R3610	1-218-937-11	RES-CHIP 47 5% 1/16W		
1091		DES	RESISTOR		R3611	1-218-937-11	RES-CHIP 47 5% 1/16W		
1092		DES	RESISTOR		R3612	1-208-643-11	METAL CHIP 22 0.5% 1/16W		
1093		DES	RESISTOR		R3613	1-208-643-11	METAL CHIP 22 0.5% 1/16W		
1094		DES	RESISTOR		R3614	1-208-643-11	METAL CHIP 22 0.5% 1/16W		
1095		DES	RESISTOR		R3615	1-208-643-11	METAL CHIP 22 0.5% 1/16W		

No.	#	Board	Type	△/*	Ref. No.	Part No.	Description	Remarks-1	Remarks-2
1096		DES	RESISTOR		R3701	1-218-990-11	SHORT CHIP 0		
1097		DES	RESISTOR		R3702	1-218-990-11	SHORT CHIP 0		
1098		DES	RESISTOR		R3705	1-218-939-11	RES-CHIP 68 5% 1/16W		
1099		DES	RESISTOR		R3706	1-218-990-11	SHORT CHIP 0		
1100		DES	RESISTOR		R3707	1-208-707-11	METAL CHIP 10K 0.5% 1/16W		
1101		DES	RESISTOR		R3708	1-218-990-11	SHORT CHIP 0		
1102		DES	RESISTOR		R3709	1-218-990-11	SHORT CHIP 0		
1103		DES	RESISTOR		R3710	1-218-990-11	SHORT CHIP 0		
1104		DES	RESISTOR		R3711	1-218-989-11	RES-CHIP 1M 5% 1/16W		
1105		DES	RESISTOR		R3712	1-218-941-81	RES-CHIP 100 5% 1/16W		
1106		DES	RESISTOR		R3713	1-218-965-11	RES-CHIP 10K 5% 1/16W		
1107		DES	RESISTOR		R3801	1-216-833-11	METAL CHIP 10K 5% 1/10W		
1108		DES	RESISTOR		R3802	1-216-833-11	METAL CHIP 10K 5% 1/10W		
1109		DES	RESISTOR		R3803	1-216-833-11	METAL CHIP 10K 5% 1/10W		
1110		DES	RESISTOR		R3804	1-216-864-11	SHORT CHIP 0		
1111		DES	RESISTOR		R3805	1-216-864-11	SHORT CHIP 0		
1112		DES	RESISTOR		R3806	1-218-933-11	RES-CHIP 22 5% 1/16W		
1113		DES	RESISTOR		R3807	1-216-864-11	SHORT CHIP 0		
1114		DES	RESISTOR		R3810	1-216-833-11	METAL CHIP 10K 5% 1/10W		
1115		DES	RESISTOR		R3811	1-218-965-11	RES-CHIP 10K 5% 1/16W		
1116		DES	RESISTOR		R3812	1-216-809-11	METAL CHIP 100 5% 1/10W		
1117		DES	RESISTOR		R3813	1-216-864-11	SHORT CHIP 0		
1118		DES	RESISTOR		R3814	1-216-864-11	SHORT CHIP 0		
1119		DES	RESISTOR		R3815	1-216-864-11	SHORT CHIP 0		
1120		DES	RESISTOR		R3816	1-218-700-11	METAL CHIP 2.2K 0.5% 1/10W		
1121		DES	RESISTOR		R3817	1-218-696-11	METAL CHIP 1.5K 0.5% 1/10W		
1122		DES	RESISTOR		R3818	1-218-696-11	METAL CHIP 1.5K 0.5% 1/10W		
1123		DES	RESISTOR		R4601	1-216-864-11	SHORT CHIP 0		
1124		DES	NETWORK		RB3101	1-233-785-91	RES, NETWORK 100 (1608)		
1125		DES	NETWORK		RB3102	1-233-785-91	RES, NETWORK 100 (1608)		
1126		DES	NETWORK		RB3103	1-234-370-21	RES, NETWORK 22X4 (1005)		
1127		DES	NETWORK		RB3104	1-234-370-21	RES, NETWORK 22X4 (1005)		
1128		DES	NETWORK		RB3105	1-234-370-21	RES, NETWORK 22X4 (1005)		
1129		DES	NETWORK		RB3106	1-234-370-21	RES, NETWORK 22X4 (1005)		
1130		DES	NETWORK		RB3108	1-234-370-21	RES, NETWORK 22X4 (1005)		
1131		DES	NETWORK		RB3109	1-234-370-21	RES, NETWORK 22X4 (1005)		
1132		DES	NETWORK		RB3301	1-234-372-21	RES, NETWORK 100X4 (1005)		
1133		DES	NETWORK		RB3302	1-234-372-21	RES, NETWORK 100X4 (1005)		
1134		DES	NETWORK		RB3303	1-233-576-11	RES, CHIP NETWORK 100 (3216)		
1135		DES	NETWORK		RB3304	1-233-576-11	RES, CHIP NETWORK 100 (3216)		
1136		DES	NETWORK		RB3305	1-234-372-21	RES, NETWORK 100X4 (1005)		
1137		DES	NETWORK		RB3306	1-234-372-21	RES, NETWORK 100X4 (1005)		
1138		DES	NETWORK		RB3307	1-233-784-91	RES, NETWORK 47 (1608)		
1139		DES	NETWORK		RB3308	1-233-796-11	RES, NETWORK (1608)		
1140		DES	NETWORK		RB3309	1-233-576-11	RES, CHIP NETWORK 100 (3216)		
1141		DES	NETWORK		RB3402	1-234-378-21	RES, NETWORK 10KX4 (1005)		
1142		DES	NETWORK		RB3404	1-233-785-91	RES, NETWORK 100 (1608)		
1143		DES	NETWORK		RB3405	1-233-796-11	RES, NETWORK (1608)		
1144		DES	NETWORK		RB3407	1-233-785-91	RES, NETWORK 100 (1608)		
1145		DES	NETWORK		RB3418	1-233-785-91	RES, NETWORK 100 (1608)		
1146		DES	NETWORK		RB3419	1-233-785-91	RES, NETWORK 100 (1608)		
1147		DES	NETWORK		RB3503	1-234-378-21	RES, NETWORK 10KX4 (1005)		
1148		DES	NETWORK		RB3601	1-234-370-21	RES, NETWORK 22X4 (1005)		
1149		DES	NETWORK		RB3602	1-234-370-21	RES, NETWORK 22X4 (1005)		
1150		DES	NETWORK		RB3603	1-234-370-21	RES, NETWORK 22X4 (1005)		
1151		DES	NETWORK		RB3604	1-234-370-21	RES, NETWORK 22X4 (1005)		
1152		DES	NETWORK		RB3606	1-234-370-21	RES, NETWORK 22X4 (1005)		
1153		DES	NETWORK		RB3607	1-234-370-21	RES, NETWORK 22X4 (1005)		
1154		DES	NETWORK		RB3608	1-234-370-21	RES, NETWORK 22X4 (1005)		
1155		DES	NETWORK		RB3609	1-234-370-21	RES, NETWORK 22X4 (1005)		
1156		DES	NETWORK		RB3610	1-234-370-21	RES, NETWORK 22X4 (1005)		
1157		DES	NETWORK		RB3611	1-234-370-21	RES, NETWORK 22X4 (1005)		
1158		DES	NETWORK		RB3612	1-234-370-21	RES, NETWORK 22X4 (1005)		
1159		DES	NETWORK		RB3613	1-234-370-21	RES, NETWORK 22X4 (1005)		
1160		DES	NETWORK		RB3614	1-234-370-21	RES, NETWORK 22X4 (1005)		
1161		DES	NETWORK		RB3615	1-234-370-21	RES, NETWORK 22X4 (1005)		
1162		DES	NETWORK		RB3616	1-234-371-21	RES, NETWORK 47X4 (1005)		
1163		DES	NETWORK		RB3617	1-234-371-21	RES, NETWORK 47X4 (1005)		
1164		DES	NETWORK		RB3618	1-234-371-21	RES, NETWORK 47X4 (1005)		
1165		DES	NETWORK		RB3619	1-234-371-21	RES, NETWORK 47X4 (1005)		
1166		DES	NETWORK		RB3620	1-234-371-21	RES, NETWORK 47X4 (1005)		
1167		DES	NETWORK		RB3621	1-234-371-21	RES, NETWORK 47X4 (1005)		
1168		DES	NETWORK		RB3622	1-234-371-21	RES, NETWORK 47X4 (1005)		

No.	#	Board	Type	△/*	Ref. No.	Part No.	Description	Remarks-1	Remarks-2
1169		DES	NETWORK		RB3623	1-234-371-21	RES, NETWORK 47X4 (1005)		
1170		DES	NETWORK		RB3624	1-234-371-21	RES, NETWORK 47X4 (1005)		
1171		DES	NETWORK		RB3625	1-234-371-21	RES, NETWORK 47X4 (1005)		
1172		DES	NETWORK		RB3626	1-234-371-21	RES, NETWORK 47X4 (1005)		
1173		DES	NETWORK		RB3627	1-234-371-21	RES, NETWORK 47X4 (1005)		
1174		DES	NETWORK		RB3628	1-234-371-21	RES, NETWORK 47X4 (1005)		
1175		DES	NETWORK		RB3629	1-234-371-21	RES, NETWORK 47X4 (1005)		
1176		DES	NETWORK		RB3630	1-234-371-21	RES, NETWORK 47X4 (1005)		
1177		DES	NETWORK		RB3705	1-234-372-21	RES, NETWORK 100X4 (1005)		
1178		DES	NETWORK		RB3706	1-234-372-21	RES, NETWORK 100X4 (1005)		
1179		DES	NETWORK		RB3707	1-234-372-21	RES, NETWORK 100X4 (1005)		
1180		DES	NETWORK		RB3708	1-234-372-21	RES, NETWORK 100X4 (1005)		
1181		DES	NETWORK		RB3709	1-234-372-21	RES, NETWORK 100X4 (1005)		
1182		DES	NETWORK		RB3710	1-234-372-21	RES, NETWORK 100X4 (1005)		
1183		DES	NETWORK		RB3711	1-234-372-21	RES, NETWORK 100X4 (1005)		
1184		DES	NETWORK		RB3712	1-234-372-21	RES, NETWORK 100X4 (1005)		
1185		DES	NETWORK		RB3713	1-234-370-21	RES, NETWORK 22X4 (1005)		
1186		DES	NETWORK		RB3714	1-234-372-21	RES, NETWORK 100X4 (1005)		
1187		DES	CRYSTAL		X3401	1-813-070-21	PIEZOELECTRIC OSCILLATOR		
1188		DES	CRYSTAL		X3701	1-813-071-21	VIBRATOR, CRYSTAL		
1189		R1	CAPACITOR		C701	1-126-205-11	ELECT CHIP 47UF 20.00% 6.3V	32XBR950	
1190		R1	CAPACITOR		C702	1-164-156-11	CERAMIC CHIP 0.1UF 25V	32XBR950	
1191		R1	CAPACITOR		C712	1-164-156-11	CERAMIC CHIP 0.1UF 25V	32XBR950	
1192		R1	CAPACITOR		C714	1-164-156-11	CERAMIC CHIP 0.1UF 25V	32XBR950	
1193		R1	CAPACITOR		C715	1-164-156-11	CERAMIC CHIP 0.1UF 25V	32XBR950	
1194		R1	CONNECTOR	*	CN701	1-695-223-21	PIN, CONNECTOR (SMD) 10P	32XBR950	
1195		R1	DIODE		D701	6-500-487-01	DIODE SMLU12D16W	32XBR950	
1196		R1	DIODE		D702	6-500-487-01	DIODE SMLU12D16W	32XBR950	
1197		R1	DIODE		D703	6-500-425-01	DIODE SELU1E50CM	32XBR950	
1198		R1	IC		IC701	8-759-177-23	IC RS-50-T	32XBR950	
1199		R1	TRANSISTOR		Q701	8-729-028-73	TRANSISTOR DTA114EUA-T106	32XBR950	
1200		R1	TRANSISTOR		Q702	8-729-028-73	TRANSISTOR DTA114EUA-T106	32XBR950	
1201		R1	TRANSISTOR		Q703	8-729-028-73	TRANSISTOR DTA114EUA-T106	32XBR950	
1202		R1	TRANSISTOR		Q704	8-729-028-73	TRANSISTOR DTA114EUA-T106	32XBR950	
1203		R1	TRANSISTOR		Q705	8-729-028-73	TRANSISTOR DTA114EUA-T106	32XBR950	
1204		R1	TRANSISTOR		Q706	8-729-028-73	TRANSISTOR DTA114EUA-T106	32XBR950	
1205		R1	RESISTOR		R701	1-216-812-11	METAL CHIP 180 5% 1/10W	32XBR950	
1206		R1	RESISTOR		R702	1-216-807-11	METAL CHIP 68 5% 1/10W	32XBR950	
1207		R1	RESISTOR		R703	1-216-820-11	METAL CHIP 820 5% 1/10W	32XBR950	
1208		R1	RESISTOR		R704	1-216-810-11	METAL CHIP 120 5% 1/10W	32XBR950	
1209		R1	RESISTOR		R705	1-216-820-11	METAL CHIP 820 5% 1/10W	32XBR950	
1210		R1	RESISTOR		R706	1-216-814-11	METAL CHIP 270 5% 1/10W	32XBR950	
1211		R1	RESISTOR		R707	1-216-805-11	METAL CHIP 47 5% 1/10W	32XBR950	
1212		R1	RESISTOR		R712	1-216-833-11	METAL CHIP 10K 5% 1/10W	32XBR950	
1213		R1	RESISTOR		R714	1-216-833-11	METAL CHIP 10K 5% 1/10W	32XBR950	
1214		R1	RESISTOR		R715	1-216-833-11	METAL CHIP 10K 5% 1/10W	32XBR950	
1215		R2	CONNECTOR		CN751	1-580-056-21	PIN, CONNECTOR (SMD) 3P	32XBR950	
1216		R2	DIODE		D751	6-500-820-01	DIODE NSPW515BS-A0ST	32XBR950	
1217		R2	DIODE		D752	6-500-820-01	DIODE NSPW515BS-A0ST	32XBR950	
1218		R2	DIODE		D753	6-500-820-01	DIODE NSPW515BS-A0ST	32XBR950	
1219		R2	DIODE		D754	6-500-820-01	DIODE NSPW515BS-A0ST	32XBR950	
1220		R2	DIODE		D756	8-719-056-84	DIODE UDZ-TE-17-7.5B	32XBR950	
1221		R2	DIODE		D757	8-719-056-84	DIODE UDZ-TE-17-7.5B	32XBR950	
1222		R2	DIODE		D758	8-719-056-84	DIODE UDZ-TE-17-7.5B	32XBR950	
1223		R2	DIODE		D759	8-719-056-84	DIODE UDZ-TE-17-7.5B	32XBR950	
1224		R2	TRANSISTOR		Q751	8-729-028-73	TRANSISTOR DTA114EUA-T106	32XBR950	
1225		R2	TRANSISTOR		Q752	8-729-028-73	TRANSISTOR DTA114EUA-T106	32XBR950	
1226		R2	TRANSISTOR		Q753	8-729-028-73	TRANSISTOR DTA114EUA-T106	32XBR950	
1227		R2	TRANSISTOR		Q754	8-729-028-73	TRANSISTOR DTA114EUA-T106	32XBR950	
1228		R2	RESISTOR		R751	1-216-807-11	METAL CHIP 68 5% 1/10W	32XBR950	
1229		R2	RESISTOR		R752	1-216-807-11	METAL CHIP 68 5% 1/10W	32XBR950	
1230		R2	RESISTOR		R753	1-216-807-11	METAL CHIP 68 5% 1/10W	32XBR950	
1231		R2	RESISTOR		R754	1-216-807-11	METAL CHIP 68 5% 1/10W	32XBR950	
1232		R3	CAPACITOR		C701	1-126-205-11	ELECT CHIP 47UF 20.00% 6.3V	42XBR950	
1233		R3	CAPACITOR		C702	1-164-156-11	CERAMIC CHIP 0.1UF 25V	42XBR950	
1234		R3	CAPACITOR		C712	1-164-156-11	CERAMIC CHIP 0.1UF 25V	42XBR950	
1235		R3	CAPACITOR		C714	1-164-156-11	CERAMIC CHIP 0.1UF 25V	42XBR950	
1236		R3	CAPACITOR		C715	1-164-156-11	CERAMIC CHIP 0.1UF 25V	42XBR950	
1237		R3	CONNECTOR	*	CN701	1-695-223-21	PIN, CONNECTOR (SMD) 10P	42XBR950	
1238		R3	DIODE		D701	6-500-487-01	DIODE SMLU12D16W	42XBR950	
1239		R3	DIODE		D702	6-500-487-01	DIODE SMLU12D16W	42XBR950	
1240		R3	DIODE		D703	6-500-425-01	DIODE SELU1E50CM	42XBR950	
1241		R3	IC		IC701	8-759-177-23	IC RS-50-T	42XBR950	

No.	#	Board	Type	△/*	Ref. No.	Part No.	Description	Remarks-1	Remarks-2
1242		R3	TRANSISTOR		Q701	8-729-028-73	TRANSISTOR DTA114EUA-T106	42XBR950	
1243		R3	TRANSISTOR		Q702	8-729-028-73	TRANSISTOR DTA114EUA-T106	42XBR950	
1244		R3	TRANSISTOR		Q703	8-729-028-73	TRANSISTOR DTA114EUA-T106	42XBR950	
1245		R3	TRANSISTOR		Q704	8-729-028-73	TRANSISTOR DTA114EUA-T106	42XBR950	
1246		R3	TRANSISTOR		Q705	8-729-028-73	TRANSISTOR DTA114EUA-T106	42XBR950	
1247		R3	TRANSISTOR		Q706	8-729-028-73	TRANSISTOR DTA114EUA-T106	42XBR950	
1248		R3	RESISTOR		R701	1-216-812-11	METAL CHIP 180 5% 1/10W	42XBR950	
1249		R3	RESISTOR		R702	1-216-807-11	METAL CHIP 68 5% 1/10W	42XBR950	
1250		R3	RESISTOR		R703	1-216-820-11	METAL CHIP 820 5% 1/10W	42XBR950	
1251		R3	RESISTOR		R704	1-216-810-11	METAL CHIP 120 5% 1/10W	42XBR950	
1252		R3	RESISTOR		R705	1-216-820-11	METAL CHIP 820 5% 1/10W	42XBR950	
1253		R3	RESISTOR		R706	1-216-814-11	METAL CHIP 270 5% 1/10W	42XBR950	
1254		R3	RESISTOR		R707	1-216-805-11	METAL CHIP 47 5% 1/10W	42XBR950	
1255		R3	RESISTOR		R712	1-216-833-11	METAL CHIP 10K 5% 1/10W	42XBR950	
1256		R3	RESISTOR		R714	1-216-833-11	METAL CHIP 10K 5% 1/10W	42XBR950	
1257		R3	RESISTOR		R715	1-216-833-11	METAL CHIP 10K 5% 1/10W	42XBR950	
1258		R4	CONNECTOR		CN751	1-580-056-21	PIN, CONNECTOR (SMD) 3P	42XBR950	
1259		R4	DIODE		D751	6-500-870-01	DIODE NSPW500BS-A0	42XBR950	
1260		R4	DIODE		D752	6-500-870-01	DIODE NSPW500BS-A0	42XBR950	
1261		R4	DIODE		D753	6-500-870-01	DIODE NSPW500BS-A0	42XBR950	
1262		R4	DIODE		D754	6-500-870-01	DIODE NSPW500BS-A0	42XBR950	
1263		R4	DIODE		D756	8-719-056-84	DIODE UDZ-TE-17-7.5B	42XBR950	
1264		R4	DIODE		D757	8-719-056-84	DIODE UDZ-TE-17-7.5B	42XBR950	
1265		R4	DIODE		D758	8-719-056-84	DIODE UDZ-TE-17-7.5B	42XBR950	
1266		R4	DIODE		D759	8-719-056-84	DIODE UDZ-TE-17-7.5B	42XBR950	
1267		R4	TRANSISTOR		Q751	8-729-028-73	TRANSISTOR DTA114EUA-T106	42XBR950	
1268		R4	TRANSISTOR		Q752	8-729-028-73	TRANSISTOR DTA114EUA-T106	42XBR950	
1269		R4	TRANSISTOR		Q753	8-729-028-73	TRANSISTOR DTA114EUA-T106	42XBR950	
1270		R4	TRANSISTOR		Q754	8-729-028-73	TRANSISTOR DTA114EUA-T106	42XBR950	
1271		R4	RESISTOR		R751	1-216-807-11	METAL CHIP 68 5% 1/10W	42XBR950	
1272		R4	RESISTOR		R752	1-216-807-11	METAL CHIP 68 5% 1/10W	42XBR950	
1273		R4	RESISTOR		R753	1-216-807-11	METAL CHIP 68 5% 1/10W	42XBR950	
1274		R4	RESISTOR		R754	1-216-807-11	METAL CHIP 68 5% 1/10W	42XBR950	
1275		K	CAPACITOR		C5001	1-104-665-11	ELECT 100UF 20.00% 25V	32XBR950	
1276		K	CAPACITOR		C5002	1-125-891-11	CERAMIC CHIP 0.47UF 10.00% 10V	32XBR950	
1277		K	CAPACITOR		C5003	1-107-826-11	CERAMIC CHIP 0.1UF 10.00% 16V	32XBR950	
1278		K	CAPACITOR		C5004	1-107-826-11	CERAMIC CHIP 0.1UF 10.00% 16V	32XBR950	
1279		K	CAPACITOR		C5005	1-104-665-11	ELECT 100UF 20.00% 25V	32XBR950	
1280		K	CAPACITOR		C5006	1-107-826-11	CERAMIC CHIP 0.1UF 10.00% 16V	32XBR950	
1281		K	CAPACITOR		C5007	1-104-665-11	ELECT 100UF 20.00% 25V	32XBR950	
1282		K	CAPACITOR		C5008	1-162-917-11	CERAMIC CHIP 15PF 5.00% 50V	32XBR950	
1283		K	CAPACITOR		C5009	1-162-917-11	CERAMIC CHIP 15PF 5.00% 50V	32XBR950	
1284		K	CAPACITOR		C5010	1-165-176-11	CERAMIC CHIP 0.047UF 10.00% 16V	32XBR950	
1285		K	CAPACITOR		C5011	1-162-968-11	CERAMIC CHIP 0.0047UF 10.00% 50V	32XBR950	
1286		K	CAPACITOR		C5012	1-107-826-11	CERAMIC CHIP 0.1UF 10.00% 16V	32XBR950	
1287		K	CAPACITOR		C5013	1-107-826-11	CERAMIC CHIP 0.1UF 10.00% 16V	32XBR950	
1288		K	CAPACITOR		C5014	1-107-826-11	CERAMIC CHIP 0.1UF 10.00% 16V	32XBR950	
1289		K	CAPACITOR		C5015	1-104-665-11	ELECT 100UF 20.00% 25V	32XBR950	
1290		K	CAPACITOR		C5016	1-107-826-11	CERAMIC CHIP 0.1UF 10.00% 16V	32XBR950	
1291		K	CAPACITOR		C5017	1-107-826-11	CERAMIC CHIP 0.1UF 10.00% 16V	32XBR950	
1292		K	CAPACITOR		C5018	1-104-665-11	ELECT 100UF 20.00% 25V	32XBR950	
1293		K	CAPACITOR		C5021	1-104-665-11	ELECT 100UF 20.00% 25V	32XBR950	
1294		K	CAPACITOR		C5022	1-100-566-91	CERAMIC CHIP 0.1UF 10.00% 25V	32XBR950	
1295		K	CAPACITOR		C5023	1-100-566-91	CERAMIC CHIP 0.1UF 10.00% 25V	32XBR950	
1296		K	CAPACITOR		C5024	1-115-185-11	CERAMIC CHIP 0.033UF 10.00% 50V	32XBR950	
1297		K	CAPACITOR		C5025	1-115-185-11	CERAMIC CHIP 0.033UF 10.00% 50V	32XBR950	
1298		K	CAPACITOR		C5026	1-115-339-11	CERAMIC CHIP 0.1UF 10.00% 50V	32XBR950	
1299		K	CAPACITOR		C5029	1-115-339-11	CERAMIC CHIP 0.1UF 10.00% 50V	32XBR950	
1300		K	CAPACITOR		C5030	1-115-339-11	CERAMIC CHIP 0.1UF 10.00% 50V	32XBR950	
1301		K	CAPACITOR		C5031	1-163-037-11	CERAMIC CHIP 0.022UF 10.00% 50V	32XBR950	
1302		K	CAPACITOR		C5032	1-136-177-00	FILM 1UF 5.00% 50V	32XBR950	
1303		K	CAPACITOR		C5033	1-136-177-00	FILM 1UF 5.00% 50V	32XBR950	
1304		K	CAPACITOR		C5034	1-163-037-11	CERAMIC CHIP 0.022UF 10.00% 50V	32XBR950	
1305		K	CAPACITOR		C5035	1-100-750-11	ELECT 4700UF 20% 35V	32XBR950	
1306		K	CAPACITOR		C5036	1-100-750-11	ELECT 4700UF 20% 35V	32XBR950	
1307		K	CAPACITOR		C5037	1-100-750-11	ELECT 4700UF 20% 35V	32XBR950	
1308		K	CAPACITOR		C5038	1-162-963-11	CERAMIC CHIP 680PF 10.00% 50V	32XBR950	
1309		K	CAPACITOR		C5039	1-162-963-11	CERAMIC CHIP 680PF 10.00% 50V	32XBR950	
1310		K	CAPACITOR		C5042	1-126-964-11	ELECT 10UF 20.00% 50V	32XBR950	
1311		K	CAPACITOR		C5043	1-163-021-91	CERAMIC CHIP 0.01UF 10.00% 50V	32XBR950	
1312		K	CAPACITOR		C5044	1-163-021-91	CERAMIC CHIP 0.01UF 10.00% 50V	32XBR950	
1313		K	CAPACITOR		C5045	1-100-749-11	ELECT 4700UF 20% 25V	32XBR950	
1314		K	CAPACITOR		C5046	1-100-749-11	ELECT 4700UF 20% 25V	32XBR950	

No.	#	Board	Type	△/*	Ref. No.	Part No.	Description	Remarks-1	Remarks-2
1315		K	CAPACITOR		C5047	1-162-963-11	CERAMIC CHIP 680PF 10.00% 50V	32XBR950	
1316		K	CAPACITOR		C5048	1-162-963-11	CERAMIC CHIP 680PF 10.00% 50V	32XBR950	
1317		K	CAPACITOR		C5049	1-100-749-11	ELECT 4700UF 20% 25V	32XBR950	
1318		K	CAPACITOR		C5050	1-100-749-11	ELECT 4700UF 20% 25V	32XBR950	
1319		K	CAPACITOR		C5051	1-115-339-11	CERAMIC CHIP 0.1UF 10.00% 50V	32XBR950	
1320		K	CAPACITOR		C5052	1-107-826-11	CERAMIC CHIP 0.1UF 10.00% 16V	32XBR950	
1321		K	CAPACITOR		C5054	1-163-021-91	CERAMIC CHIP 0.01UF 10.00% 50V	32XBR950	
1322		K	CAPACITOR		C5055	1-163-021-91	CERAMIC CHIP 0.01UF 10.00% 50V	32XBR950	
1323		K	CAPACITOR		C5056	1-136-169-00	FILM 0.22UF 5.00% 50V	32XBR950	
1324		K	CAPACITOR		C5057	1-136-169-00	FILM 0.22UF 5.00% 50V	32XBR950	
1325		K	CAPACITOR		C5058	1-136-497-81	FILM 0.1UF 5.00% 50V	32XBR950	
1326		K	CAPACITOR		C5059	1-136-497-81	FILM 0.1UF 5.00% 50V	32XBR950	
1327		K	CAPACITOR		C5061	1-107-826-11	CERAMIC CHIP 0.1UF 10.00% 16V	32XBR950	
1328		K	CAPACITOR		C5064	1-164-315-11	CERAMIC CHIP 470PF 5.00% 50V	32XBR950	
1329		K	CAPACITOR		C5065	1-164-315-11	CERAMIC CHIP 470PF 5.00% 50V	32XBR950	
1330		K	CAPACITOR		C5066	1-164-315-11	CERAMIC CHIP 470PF 5.00% 50V	32XBR950	
1331		K	CAPACITOR		C5067	1-164-315-11	CERAMIC CHIP 470PF 5.00% 50V	32XBR950	
1332		K	CAPACITOR		C5068	1-164-315-11	CERAMIC CHIP 470PF 5.00% 50V	32XBR950	
1333		K	CAPACITOR		C5069	1-164-315-11	CERAMIC CHIP 470PF 5.00% 50V	32XBR950	
1334		K	CAPACITOR		C5070	1-164-315-11	CERAMIC CHIP 470PF 5.00% 50V	32XBR950	
1335		K	CAPACITOR		C5071	1-107-826-11	CERAMIC CHIP 0.1UF 10.00% 16V	32XBR950	
1336		K	CAPACITOR		C5076	1-162-966-11	CERAMIC CHIP 0.0022UF 10.00% 50V	32XBR950	
1337		K	CAPACITOR		C5077	1-107-826-11	CERAMIC CHIP 0.1UF 10.00% 16V	32XBR950	
1338		K	CAPACITOR		C5078	1-126-963-11	ELECT 4.7UF 20.00% 50V	32XBR950	
1339		K	CAPACITOR		C5079	1-107-717-11	ELECT 47UF 20.00% 50V	32XBR950	
1340		K	CAPACITOR		C5081	1-126-968-11	ELECT 100UF 20.00% 50V	32XBR950	
1341		K	CAPACITOR		C5082	1-164-230-11	CERAMIC CHIP 220PF 5.00% 50V	32XBR950	
1342		K	CAPACITOR		C5083	1-100-158-91	CERAMIC CHIP 1000PF 5% 100V	32XBR950	
1343		K	CAPACITOR		C5086	1-100-158-91	CERAMIC CHIP 1000PF 5% 100V	32XBR950	
1344		K	CAPACITOR		C5087	1-126-933-11	ELECT 100UF 20.00% 16V	32XBR950	
1345		K	CAPACITOR		C5088	1-115-340-11	CERAMIC CHIP 0.22UF 10.00% 25V	32XBR950	
1346		K	CAPACITOR		C5201	1-107-826-11	CERAMIC CHIP 0.1UF 10.00% 16V	32XBR950	
1347		K	CAPACITOR		C5202	1-126-391-11	ELECT CHIP 47UF 20.00% 6.3V	32XBR950	
1348		K	CONNECTOR	*	CN5001	1-779-268-21	PIN, CONNECTOR (1.5MM)(SMD)11P	32XBR950	
1349		K	CONNECTOR	*	CN5002	1-564-507-11	PLUG, CONNECTOR 4P	32XBR950	
1350		K	CONNECTOR	*	CN5003	1-564-509-11	PLUG, CONNECTOR 6P	32XBR950	
1351		K	CONNECTOR		CN5201	1-573-290-91	PIN, CONNECTOR 4P	32XBR950	
1352		K	DIODE		D5002	8-719-081-97	DIODE MMDL914T1	32XBR950	
1353		K	DIODE		D5005	8-719-041-97	DIODE MA113-(TX)	32XBR950	
1354		K	DIODE		D5006	8-719-041-97	DIODE MA113-(TX)	32XBR950	
1355		K	DIODE		D5007	8-719-027-22	DIODE D3S6M-F	32XBR950	
1356		K	DIODE		D5009	8-719-082-01	DIODE MM3Z12VT1	32XBR950	
1357		K	FUSE	△	F5001	1-576-727-21	FUSE 8A 125V	32XBR950	
1358		K	FERRITE BEAD		FB5001	1-414-229-11	FERRITE 0UH	32XBR950	
1359		K	FERRITE BEAD		FB5002	1-414-229-11	FERRITE 0UH	32XBR950	
1360		K	FERRITE BEAD		FB5003	1-414-229-11	FERRITE 0UH	32XBR950	
1361		K	FERRITE BEAD		FB5004	1-414-229-11	FERRITE 0UH	32XBR950	
1362		K	FERRITE BEAD		FB5005	1-414-229-11	FERRITE 0UH	32XBR950	
1363		K	FERRITE BEAD		FB5006	1-414-229-11	FERRITE 0UH	32XBR950	
1364		K	FERRITE BEAD		FB5008	1-414-864-11	FERRITE 0UH	32XBR950	
1365		K	FERRITE BEAD		FB5009	1-469-979-21	FERRITE 0UH	32XBR950	
1366		K	FERRITE BEAD		FB5010	1-469-979-21	FERRITE 0UH	32XBR950	
1367		K	FERRITE BEAD		FB5011	1-469-979-21	FERRITE 0UH	32XBR950	
1368		K	FERRITE BEAD		FB5012	1-469-979-21	FERRITE 0UH	32XBR950	
1369		K	FERRITE BEAD		FB5013	1-469-979-21	FERRITE 0UH	32XBR950	
1370		K	FERRITE BEAD		FB5014	1-469-979-21	FERRITE 0UH	32XBR950	
1371		K	FILTER		FL5001	1-234-122-21	FERRITE 0UH	32XBR950	
1372		K	FILTER		FL5002	1-234-119-21	FERRITE 0UH	32XBR950	
1373		K	FILTER		FL5003	1-234-119-21	FERRITE 0UH	32XBR950	
1374		K	FILTER		FL5004	1-234-119-21	FERRITE 0UH	32XBR950	
1375		K	FILTER		FL5005	1-234-122-21	FERRITE 0UH	32XBR950	
1376		K	FILTER		FL5006	1-234-122-21	FERRITE 0UH	32XBR950	
1377		K	FILTER		FL5007	1-234-122-21	FERRITE 0UH	32XBR950	
1378		K	IC		IC5001	6-702-979-01	IC AK4114VQ-L	32XBR950	
1379		K	IC		IC5002	6-702-986-01	IC TAS5001PFBR	32XBR950	
1380		K	IC		IC5003	6-702-980-01	IC TAS5101DAPR	32XBR950	
1381		K	IC		IC5004	8-759-548-99	IC SN74LV08APWR	32XBR950	
1382		K	IC		IC5201	8-759-476-80	IC LM75CIMX-3	32XBR950	
1383		K	COIL		L5001	1-412-537-31	INDUCTOR 100UH	32XBR950	
1384		K	COIL		L5002	1-469-555-21	INDUCTOR 10UH	32XBR950	
1385		K	COIL		L5003	1-469-555-21	INDUCTOR 10UH	32XBR950	
1386		K	COIL		L5004	1-456-177-11	INDUCTOR 22UH	32XBR950	
1387		K	COIL		L5005	1-456-177-11	INDUCTOR 22UH	32XBR950	

No.	#	Board	Type	△/*	Ref. No.	Part No.	Description	Remarks-1	Remarks-2
1388		K	COIL		L5006	1-406-659-11	INDUCTOR 10UH	32XBR950	
1389		K	TRANSISTOR		Q5001	6-550-190-01	TRANSISTOR DTC114EET1	32XBR950	
1390		K	TRANSISTOR		Q5002	8-729-106-68	TRANSISTOR 2SD1615A-GP	32XBR950	
1391		K	TRANSISTOR		Q5003	8-729-422-33	TRANSISTOR 2SD601A-Q-TX	32XBR950	
1392		K	TRANSISTOR		Q5004	8-729-216-22	TRANSISTOR 2SA1162-G	32XBR950	
1393		K	TRANSISTOR		Q5005	8-729-422-33	TRANSISTOR 2SD601A-Q-TX	32XBR950	
1394		K	TRANSISTOR		Q5006	8-729-422-33	TRANSISTOR 2SD601A-Q-TX	32XBR950	
1395		K	TRANSISTOR		Q5007	8-729-106-68	TRANSISTOR 2SD1615A-GP	32XBR950	
1396		K	TRANSISTOR		Q5008	8-729-422-33	TRANSISTOR 2SD601A-Q-TX	32XBR950	
1397		K	TRANSISTOR		Q5009	6-550-380-01	TRANSISTOR IRFR5305TR	32XBR950	
1398		K	TRANSISTOR		Q5012	8-729-106-68	TRANSISTOR 2SD1615A-GP	32XBR950	
1399		K	RESISTOR		R5001	1-216-864-11	SHORT CHIP 0	32XBR950	
1400		K	RESISTOR		R5002	1-216-817-11	METAL CHIP 470 5% 1/10W	32XBR950	
1401		K	RESISTOR		R5003	1-216-829-11	METAL CHIP 4.7K 5% 1/10W	32XBR950	
1402		K	RESISTOR		R5004	1-216-836-11	METAL CHIP 18K 5% 1/10W	32XBR950	
1403		K	RESISTOR		R5005	1-216-864-11	SHORT CHIP 0	32XBR950	
1404		K	RESISTOR		R5007	1-216-833-11	METAL CHIP 10K 5% 1/10W	32XBR950	
1405		K	RESISTOR		R5008	1-216-797-11	METAL CHIP 10 5% 1/10W	32XBR950	
1406		K	RESISTOR		R5009	1-216-797-11	METAL CHIP 10 5% 1/10W	32XBR950	
1407		K	RESISTOR		R5010	1-216-797-11	METAL CHIP 10 5% 1/10W	32XBR950	
1408		K	RESISTOR		R5011	1-216-797-11	METAL CHIP 10 5% 1/10W	32XBR950	
1409		K	RESISTOR		R5012	1-216-797-11	METAL CHIP 10 5% 1/10W	32XBR950	
1410		K	RESISTOR		R5013	1-216-797-11	METAL CHIP 10 5% 1/10W	32XBR950	
1411		K	RESISTOR		R5014	1-216-797-11	METAL CHIP 10 5% 1/10W	32XBR950	
1412		K	RESISTOR		R5015	1-216-813-11	METAL CHIP 220 5% 1/10W	32XBR950	
1413		K	RESISTOR		R5016	1-216-864-11	SHORT CHIP 0	32XBR950	
1414		K	RESISTOR		R5019	1-216-994-11	METAL CHIP 13K 5% 1/10W	32XBR950	
1415		K	RESISTOR		R5020	1-216-994-11	METAL CHIP 13K 5% 1/10W	32XBR950	
1416		K	RESISTOR		R5022	1-220-942-11	METAL CHIP 3.3 1% 1/4W	32XBR950	
1417		K	RESISTOR		R5023	1-220-942-11	METAL CHIP 3.3 1% 1/4W	32XBR950	
1418		K	RESISTOR		R5026	1-214-871-81	METAL 2K 1% 1/2W	32XBR950	
1419		K	RESISTOR		R5027	1-214-871-81	METAL 2K 1% 1/2W	32XBR950	
1420		K	RESISTOR		R5028	1-214-871-81	METAL 2K 1% 1/2W	32XBR950	
1421		K	RESISTOR		R5029	1-214-871-81	METAL 2K 1% 1/2W	32XBR950	
1422		K	RESISTOR		R5030	1-215-872-11	METAL OXIDE 3.3K 5% 1W	32XBR950	
1423		K	RESISTOR		R5031	1-216-308-00	RES-CHIP 4.7 5% 1/10W	32XBR950	
1424		K	RESISTOR		R5032	1-216-308-00	RES-CHIP 4.7 5% 1/10W	32XBR950	
1425		K	RESISTOR		R5033	1-216-308-00	RES-CHIP 4.7 5% 1/10W	32XBR950	
1426		K	RESISTOR		R5034	1-216-308-00	RES-CHIP 4.7 5% 1/10W	32XBR950	
1427		K	RESISTOR		R5035	1-214-871-81	METAL 2K 1% 1/2W	32XBR950	
1428		K	RESISTOR		R5036	1-214-871-81	METAL 2K 1% 1/2W	32XBR950	
1429		K	RESISTOR		R5037	1-216-864-11	SHORT CHIP 0	32XBR950	
1430		K	RESISTOR		R5038	1-216-797-11	METAL CHIP 10 5% 1/10W	32XBR950	
1431		K	RESISTOR		R5039	1-216-833-11	METAL CHIP 10K 5% 1/10W	32XBR950	
1432		K	RESISTOR		R5040	1-216-833-11	METAL CHIP 10K 5% 1/10W	32XBR950	
1433		K	RESISTOR		R5041	1-214-871-81	METAL 2K 1% 1/2W	32XBR950	
1434		K	RESISTOR		R5042	1-214-871-81	METAL 2K 1% 1/2W	32XBR950	
1435		K	RESISTOR		R5043	1-216-864-11	SHORT CHIP 0	32XBR950	
1436		K	RESISTOR		R5044	1-216-864-11	SHORT CHIP 0	32XBR950	
1437		K	RESISTOR		R5046	1-216-809-11	METAL CHIP 100 5% 1/10W	32XBR950	
1438		K	RESISTOR		R5047	1-216-809-11	METAL CHIP 100 5% 1/10W	32XBR950	
1439		K	RESISTOR		R5048	1-216-809-11	METAL CHIP 100 5% 1/10W	32XBR950	
1440		K	RESISTOR		R5049	1-216-833-11	METAL CHIP 10K 5% 1/10W	32XBR950	
1441		K	RESISTOR		R5050	1-216-797-11	METAL CHIP 10 5% 1/10W	32XBR950	
1442		K	RESISTOR		R5051	1-216-864-11	SHORT CHIP 0	32XBR950	
1443		K	RESISTOR		R5052	1-216-797-11	METAL CHIP 10 5% 1/10W	32XBR950	
1444		K	RESISTOR		R5054	1-216-797-11	METAL CHIP 10 5% 1/10W	32XBR950	
1445		K	RESISTOR		R5060	1-216-829-11	METAL CHIP 4.7K 5% 1/10W	32XBR950	
1446		K	RESISTOR		R5061	1-260-304-51	CARBON 10 5% 1/2W	32XBR950	
1447		K	RESISTOR		R5062	1-260-304-51	CARBON 10 5% 1/2W	32XBR950	
1448		K	RESISTOR		R5063	1-216-158-00	RES-CHIP 22 5% 1/8W	32XBR950	
1449		K	RESISTOR		R5064	1-216-158-00	RES-CHIP 22 5% 1/8W	32XBR950	
1450		K	RESISTOR		R5070	1-216-864-11	SHORT CHIP 0	32XBR950	
1451		K	RESISTOR		R5071	1-216-864-11	SHORT CHIP 0	32XBR950	
1452		K	RESISTOR		R5072	1-216-833-11	METAL CHIP 10K 5% 1/10W	32XBR950	
1453		K	RESISTOR		R5073	1-216-833-11	METAL CHIP 10K 5% 1/10W	32XBR950	
1454		K	RESISTOR		R5074	1-216-821-11	METAL CHIP 1K 5% 1/10W	32XBR950	
1455		K	RESISTOR		R5075	1-216-821-11	METAL CHIP 1K 5% 1/10W	32XBR950	
1456		K	RESISTOR		R5076	1-216-841-11	METAL CHIP 47K 5% 1/10W	32XBR950	
1457		K	RESISTOR		R5077	1-216-841-11	METAL CHIP 47K 5% 1/10W	32XBR950	
1458		K	RESISTOR		R5078	1-216-841-11	METAL CHIP 47K 5% 1/10W	32XBR950	
1459		K	RESISTOR		R5079	1-216-809-11	METAL CHIP 100 5% 1/10W	32XBR950	
1460		K	RESISTOR		R5080	1-216-847-11	METAL CHIP 150K 5% 1/10W	32XBR950	

No.	#	Board	Type	△/*	Ref. No.	Part No.	Description	Remarks-1	Remarks-2
1461		K	RESISTOR		R5081	1-216-847-11	METAL CHIP 150K 5% 1/10W	32XBR950	
1462		K	RESISTOR		R5082	1-216-847-11	METAL CHIP 150K 5% 1/10W	32XBR950	
1463		K	RESISTOR		R5083	1-216-847-11	METAL CHIP 150K 5% 1/10W	32XBR950	
1464		K	RESISTOR		R5084	1-218-724-11	METAL CHIP 22K 0.5% 1/10W	32XBR950	
1465		K	RESISTOR		R5085	1-218-724-11	METAL CHIP 22K 0.5% 1/10W	32XBR950	
1466		K	RESISTOR		R5089	1-218-840-11	METAL CHIP 510 0.5% 1/10W	32XBR950	
1467		K	RESISTOR		R5090	1-216-837-11	METAL CHIP 22K 5% 1/10W	32XBR950	
1468		K	RESISTOR		R5091	1-216-841-11	METAL CHIP 47K 5% 1/10W	32XBR950	
1469		K	RESISTOR		R5092	1-216-841-11	METAL CHIP 47K 5% 1/10W	32XBR950	
1470		K	RESISTOR		R5093	1-215-907-11	METAL OXIDE 22 5% 3W	32XBR950	
1471		K	RESISTOR		R5094	1-218-867-11	METAL CHIP 6.8K 0.5% 1/10W	32XBR950	
1472		K	RESISTOR		R5095	1-216-815-11	METAL CHIP 330 5% 1/10W	32XBR950	
1473		K	RESISTOR		R5097	1-216-857-11	METAL CHIP 1M 5% 1/10W	32XBR950	
1474		K	RESISTOR		R5201	1-216-797-11	METAL CHIP 10 5% 1/10W	32XBR950	
1475		K	RESISTOR		R5202	1-216-797-11	METAL CHIP 10 5% 1/10W	32XBR950	
1476		K	RESISTOR		R5204	1-216-864-11	SHORT CHIP 0	32XBR950	
1477		K	CRYSTAL		X5001	1-795-692-11	QUARTZ CRYSTAL UNIT	32XBR950	
1478		K1	CAPACITOR		C5001	1-165-679-21	ELECT CHIP 82UF 20% 16V	42XBR950	
1479		K1	CAPACITOR		C5002	1-125-891-11	CERAMIC CHIP 0.47UF 10.00% 10V	42XBR950	
1480		K1	CAPACITOR		C5003	1-107-826-11	CERAMIC CHIP 0.1UF 10.00% 16V	42XBR950	
1481		K1	CAPACITOR		C5004	1-107-826-11	CERAMIC CHIP 0.1UF 10.00% 16V	42XBR950	
1482		K1	CAPACITOR		C5005	1-104-665-11	ELECT 100UF 20.00% 25V	42XBR950	
1483		K1	CAPACITOR		C5006	1-107-826-11	CERAMIC CHIP 0.1UF 10.00% 16V	42XBR950	
1484		K1	CAPACITOR		C5007	1-165-679-21	ELECT CHIP 82UF 20% 16V	42XBR950	
1485		K1	CAPACITOR		C5008	1-162-917-11	CERAMIC CHIP 15PF 5.00% 50V	42XBR950	
1486		K1	CAPACITOR		C5009	1-162-917-11	CERAMIC CHIP 15PF 5.00% 50V	42XBR950	
1487		K1	CAPACITOR		C5010	1-165-176-11	CERAMIC CHIP 0.047UF 10.00% 16V	42XBR950	
1488		K1	CAPACITOR		C5011	1-162-968-11	CERAMIC CHIP 0.0047UF 10.00% 50V	42XBR950	
1489		K1	CAPACITOR		C5012	1-107-826-11	CERAMIC CHIP 0.1UF 10.00% 16V	42XBR950	
1490		K1	CAPACITOR		C5013	1-107-826-11	CERAMIC CHIP 0.1UF 10.00% 16V	42XBR950	
1491		K1	CAPACITOR		C5014	1-107-826-11	CERAMIC CHIP 0.1UF 10.00% 16V	42XBR950	
1492		K1	CAPACITOR		C5015	1-165-679-21	ELECT CHIP 82UF 20% 16V	42XBR950	
1493		K1	CAPACITOR		C5016	1-107-826-11	CERAMIC CHIP 0.1UF 10.00% 16V	42XBR950	
1494		K1	CAPACITOR		C5017	1-107-826-11	CERAMIC CHIP 0.1UF 10.00% 16V	42XBR950	
1495		K1	CAPACITOR		C5018	1-104-665-11	ELECT 100UF 20.00% 25V	42XBR950	
1496		K1	CAPACITOR		C5021	1-104-665-11	ELECT 100UF 20.00% 25V	42XBR950	
1497		K1	CAPACITOR		C5022	1-107-826-11	CERAMIC CHIP 0.1UF 10.00% 16V	42XBR950	
1498		K1	CAPACITOR		C5023	1-107-826-11	CERAMIC CHIP 0.1UF 10.00% 16V	42XBR950	
1499		K1	CAPACITOR		C5024	1-115-185-11	CERAMIC CHIP 0.033UF 10.00% 50V	42XBR950	
1500		K1	CAPACITOR		C5025	1-115-185-11	CERAMIC CHIP 0.033UF 10.00% 50V	42XBR950	
1501		K1	CAPACITOR		C5026	1-115-339-11	CERAMIC CHIP 0.1UF 10.00% 50V	42XBR950	
1502		K1	CAPACITOR		C5029	1-115-339-11	CERAMIC CHIP 0.1UF 10.00% 50V	42XBR950	
1503		K1	CAPACITOR		C5030	1-115-339-11	CERAMIC CHIP 0.1UF 10.00% 50V	42XBR950	
1504		K1	CAPACITOR		C5031	1-163-037-11	CERAMIC CHIP 0.022UF 10.00% 50V	42XBR950	
1505		K1	CAPACITOR		C5032	1-136-177-00	FILM 1UF 5.00% 50V	42XBR950	
1506		K1	CAPACITOR		C5033	1-136-177-00	FILM 1UF 5.00% 50V	42XBR950	
1507		K1	CAPACITOR		C5034	1-163-037-11	CERAMIC CHIP 0.022UF 10.00% 50V	42XBR950	
1508		K1	CAPACITOR		C5035	1-100-750-11	ELECT 4700UF 20% 35V	42XBR950	
1509		K1	CAPACITOR		C5036	1-100-750-11	ELECT 4700UF 20% 35V	42XBR950	
1510		K1	CAPACITOR		C5037	1-100-750-11	ELECT 4700UF 20% 35V	42XBR950	
1511		K1	CAPACITOR		C5038	1-162-963-11	CERAMIC CHIP 680PF 10.00% 50V	42XBR950	
1512		K1	CAPACITOR		C5039	1-162-963-11	CERAMIC CHIP 680PF 10.00% 50V	42XBR950	
1513		K1	CAPACITOR		C5043	1-163-021-91	CERAMIC CHIP 0.01UF 10.00% 50V	42XBR950	
1514		K1	CAPACITOR		C5044	1-163-021-91	CERAMIC CHIP 0.01UF 10.00% 50V	42XBR950	
1515		K1	CAPACITOR		C5045	1-100-749-11	ELECT 4700UF 20% 25V	42XBR950	
1516		K1	CAPACITOR		C5046	1-100-749-11	ELECT 4700UF 20% 25V	42XBR950	
1517		K1	CAPACITOR		C5047	1-162-963-11	CERAMIC CHIP 680PF 10.00% 50V	42XBR950	
1518		K1	CAPACITOR		C5048	1-162-963-11	CERAMIC CHIP 680PF 10.00% 50V	42XBR950	
1519		K1	CAPACITOR		C5049	1-100-749-11	ELECT 4700UF 20% 25V	42XBR950	
1520		K1	CAPACITOR		C5050	1-100-749-11	ELECT 4700UF 20% 25V	42XBR950	
1521		K1	CAPACITOR		C5051	1-115-339-11	CERAMIC CHIP 0.1UF 10.00% 50V	42XBR950	
1522		K1	CAPACITOR		C5052	1-107-826-11	CERAMIC CHIP 0.1UF 10.00% 16V	42XBR950	
1523		K1	CAPACITOR		C5054	1-163-021-91	CERAMIC CHIP 0.01UF 10.00% 50V	42XBR950	
1524		K1	CAPACITOR		C5055	1-163-021-91	CERAMIC CHIP 0.01UF 10.00% 50V	42XBR950	
1525		K1	CAPACITOR		C5056	1-136-170-00	FILM 0.27UF 5.00% 50V	42XBR950	
1526		K1	CAPACITOR		C5057	1-136-170-00	FILM 0.27UF 5.00% 50V	42XBR950	
1527		K1	CAPACITOR		C5058	1-136-497-81	FILM 0.1UF 5.00% 50V	42XBR950	
1528		K1	CAPACITOR		C5059	1-136-497-81	FILM 0.1UF 5.00% 50V	42XBR950	
1529		K1	CAPACITOR		C5061	1-107-826-11	CERAMIC CHIP 0.1UF 10.00% 16V	42XBR950	
1530		K1	CAPACITOR		C5062	1-126-963-11	ELECT 4.7UF 20.00% 50V	42XBR950	
1531		K1	CAPACITOR		C5064	1-164-315-11	CERAMIC CHIP 470PF 5.00% 50V	42XBR950	
1532		K1	CAPACITOR		C5065	1-164-315-11	CERAMIC CHIP 470PF 5.00% 50V	42XBR950	
1533		K1	CAPACITOR		C5066	1-164-315-11	CERAMIC CHIP 470PF 5.00% 50V	42XBR950	

No.	#	Board	Type	△/*	Ref. No.	Part No.	Description	Remarks-1	Remarks-2
1534		K1	CAPACITOR		C5067	1-164-315-11	CERAMIC CHIP 470PF 5.00% 50V	42XBR950	
1535		K1	CAPACITOR		C5068	1-164-315-11	CERAMIC CHIP 470PF 5.00% 50V	42XBR950	
1536		K1	CAPACITOR		C5069	1-164-315-11	CERAMIC CHIP 470PF 5.00% 50V	42XBR950	
1537		K1	CAPACITOR		C5070	1-164-315-11	CERAMIC CHIP 470PF 5.00% 50V	42XBR950	
1538		K1	CAPACITOR		C5071	1-107-826-11	CERAMIC CHIP 0.1UF 10.00% 16V	42XBR950	
1539		K1	CAPACITOR		C5076	1-162-966-11	CERAMIC CHIP 0.0022UF 10.00% 50V	42XBR950	
1540		K1	CAPACITOR		C5077	1-107-826-11	CERAMIC CHIP 0.1UF 10.00% 16V	42XBR950	
1541		K1	CAPACITOR		C5078	1-126-963-11	ELECT 4.7UF 20.00% 50V	42XBR950	
1542		K1	CAPACITOR		C5079	1-107-717-11	ELECT 47UF 20.00% 50V	42XBR950	
1543		K1	CAPACITOR		C5081	1-126-968-11	ELECT 100UF 20.00% 50V	42XBR950	
1544		K1	CAPACITOR		C5082	1-164-230-11	CERAMIC CHIP 220PF 5.00% 50V	42XBR950	
1545		K1	CAPACITOR		C5083	1-100-158-91	CERAMIC CHIP 1000PF 5% 100V	42XBR950	
1546		K1	CAPACITOR		C5086	1-100-158-91	CERAMIC CHIP 1000PF 5% 100V	42XBR950	
1547		K1	CAPACITOR		C5087	1-126-933-11	ELECT 100UF 20.00% 16V	42XBR950	
1548		K1	CAPACITOR		C5088	1-126-961-11	ELECT 2.2UF 20.00% 50V	42XBR950	
1549		K1	CAPACITOR		C5090	1-136-498-81	FILM 0.12UF 5.00% 50V	42XBR950	
1550		K1	CAPACITOR		C5091	1-136-498-81	FILM 0.12UF 5.00% 50V	42XBR950	
1551		K1	CAPACITOR		C5092	1-136-498-81	FILM 0.12UF 5.00% 50V	42XBR950	
1552		K1	CAPACITOR		C5093	1-136-498-81	FILM 0.12UF 5.00% 50V	42XBR950	
1553		K1	CAPACITOR		C5100	1-115-340-11	CERAMIC CHIP 0.22UF 10.00% 25V	42XBR950	
1554		K1	CAPACITOR		C5203	1-126-967-11	ELECT 47UF 20.00% 50V	42XBR950	
1555		K1	CONNECTOR	*	CN5001	1-779-268-21	PIN, CONNECTOR (1.5MM)(SMD)11P	42XBR950	
1556		K1	CONNECTOR	*	CN5002	1-564-507-11	PLUG, CONNECTOR 4P	42XBR950	
1557		K1	CONNECTOR	*	CN5003	1-564-509-11	PLUG, CONNECTOR 6P	42XBR950	
1558		K1	CONNECTOR	*	CN5005	1-564-704-11	PIN, CONNECTOR (SMALL TYPE) 2P	42XBR950	
1559		K1	DIODE		D5002	8-719-081-97	DIODE MMDL914T1	42XBR950	
1560		K1	DIODE		D5005	8-719-041-97	DIODE MA113-(TX)	42XBR950	
1561		K1	DIODE		D5006	8-719-041-97	DIODE MA113-(TX)	42XBR950	
1562		K1	DIODE		D5007	8-719-027-22	DIODE D3S6M-F	42XBR950	
1563		K1	DIODE		D5009	8-719-082-01	DIODE MM3Z12VT1	42XBR950	
1564		K1	FUSE	△	F5001	1-576-727-21	FUSE 8A 125V	42XBR950	
1565		K1	FERRITE BEAD		FB5001	1-414-229-11	FERRITE 0UH	42XBR950	
1566		K1	FERRITE BEAD		FB5002	1-414-229-11	FERRITE 0UH	42XBR950	
1567		K1	FERRITE BEAD		FB5003	1-414-229-11	FERRITE 0UH	42XBR950	
1568		K1	FERRITE BEAD		FB5004	1-414-229-11	FERRITE 0UH	42XBR950	
1569		K1	FERRITE BEAD		FB5005	1-414-229-11	FERRITE 0UH	42XBR950	
1570		K1	FERRITE BEAD		FB5006	1-414-229-11	FERRITE 0UH	42XBR950	
1571		K1	FERRITE BEAD		FB5008	1-414-864-11	FERRITE 0UH	42XBR950	
1572		K1	FERRITE BEAD		FB5009	1-469-979-21	FERRITE 0UH	42XBR950	
1573		K1	FERRITE BEAD		FB5010	1-469-979-21	FERRITE 0UH	42XBR950	
1574		K1	FERRITE BEAD		FB5011	1-469-979-21	FERRITE 0UH	42XBR950	
1575		K1	FERRITE BEAD		FB5012	1-469-979-21	FERRITE 0UH	42XBR950	
1576		K1	FERRITE BEAD		FB5013	1-469-979-21	FERRITE 0UH	42XBR950	
1577		K1	FERRITE BEAD		FB5014	1-469-979-21	FERRITE 0UH	42XBR950	
1578		K1	FILTER		FL5001	1-234-122-21	FERRITE 0UH	42XBR950	
1579		K1	FILTER		FL5002	1-234-119-21	FERRITE 0UH	42XBR950	
1580		K1	FILTER		FL5003	1-234-119-21	FERRITE 0UH	42XBR950	
1581		K1	FILTER		FL5004	1-234-119-21	FERRITE 0UH	42XBR950	
1582		K1	FILTER		FL5005	1-234-122-21	FERRITE 0UH	42XBR950	
1583		K1	FILTER		FL5006	1-234-122-21	FERRITE 0UH	42XBR950	
1584		K1	FILTER		FL5007	1-234-122-21	FERRITE 0UH	42XBR950	
1585		K1	IC		IC5001	6-702-979-01	IC AK4114VQ-L	42XBR950	
1586		K1	IC		IC5002	6-702-986-01	IC TAS5001PFBR	42XBR950	
1587		K1	IC		IC5003	6-702-980-01	IC TAS5101DAPR	42XBR950	
1588		K1	IC		IC5004	8-759-548-99	IC SN74LV08APWR	42XBR950	
1589		K1	COIL		L5001	1-412-537-31	INDUCTOR 100UH	42XBR950	
1590		K1	COIL		L5002	1-469-555-21	INDUCTOR 10UH	42XBR950	
1591		K1	COIL		L5003	1-469-555-21	INDUCTOR 10UH	42XBR950	
1592		K1	COIL		L5004	1-456-506-11	INDUCTOR 10UH	42XBR950	
1593		K1	COIL		L5005	1-456-506-11	INDUCTOR 10UH	42XBR950	
1594		K1	COIL		L5006	1-406-659-11	INDUCTOR 10UH	42XBR950	
1595		K1	TRANSISTOR		Q5001	6-550-190-01	TRANSISTOR DTC114EET1	42XBR950	
1596		K1	TRANSISTOR		Q5002	8-729-106-68	TRANSISTOR 2SD1615A-GP	42XBR950	
1597		K1	TRANSISTOR		Q5003	8-729-422-33	TRANSISTOR 2SD601A-Q-TX	42XBR950	
1598		K1	TRANSISTOR		Q5004	8-729-216-22	TRANSISTOR 2SA1162-G	42XBR950	
1599		K1	TRANSISTOR		Q5005	8-729-422-33	TRANSISTOR 2SD601A-Q-TX	42XBR950	
1600		K1	TRANSISTOR		Q5006	8-729-422-33	TRANSISTOR 2SD601A-Q-TX	42XBR950	
1601		K1	TRANSISTOR		Q5007	8-729-106-68	TRANSISTOR 2SD1615A-GP	42XBR950	
1602		K1	TRANSISTOR		Q5008	8-729-422-33	TRANSISTOR 2SD601A-Q-TX	42XBR950	
1603		K1	TRANSISTOR		Q5009	6-550-380-01	TRANSISTOR IRFR5305TR	42XBR950	
1604		K1	TRANSISTOR		Q5012	8-729-106-68	TRANSISTOR 2SD1615A-GP	42XBR950	
1605		K1	RESISTOR		R5001	1-216-864-11	SHORT CHIP 0	42XBR950	
1606		K1	RESISTOR		R5002	1-216-817-11	METAL CHIP 470 5% 1/10W	42XBR950	

No.	#	Board	Type	△/*	Ref. No.	Part No.	Description	Remarks-1	Remarks-2
1607		K1	RESISTOR		R5003	1-216-829-11	METAL CHIP 4.7K 5% 1/10W	42XBR950	
1608		K1	RESISTOR		R5004	1-216-836-11	METAL CHIP 18K 5% 1/10W	42XBR950	
1609		K1	RESISTOR		R5005	1-216-864-11	SHORT CHIP 0	42XBR950	
1610		K1	RESISTOR		R5007	1-216-833-11	METAL CHIP 10K 5% 1/10W	42XBR950	
1611		K1	RESISTOR		R5008	1-216-797-11	METAL CHIP 10 5% 1/10W	42XBR950	
1612		K1	RESISTOR		R5009	1-216-797-11	METAL CHIP 10 5% 1/10W	42XBR950	
1613		K1	RESISTOR		R5010	1-216-797-11	METAL CHIP 10 5% 1/10W	42XBR950	
1614		K1	RESISTOR		R5011	1-216-797-11	METAL CHIP 10 5% 1/10W	42XBR950	
1615		K1	RESISTOR		R5012	1-216-797-11	METAL CHIP 10 5% 1/10W	42XBR950	
1616		K1	RESISTOR		R5013	1-216-797-11	METAL CHIP 10 5% 1/10W	42XBR950	
1617		K1	RESISTOR		R5014	1-216-797-11	METAL CHIP 10 5% 1/10W	42XBR950	
1618		K1	RESISTOR		R5015	1-216-813-11	METAL CHIP 220 5% 1/10W	42XBR950	
1619		K1	RESISTOR		R5016	1-216-864-11	SHORT CHIP 0	42XBR950	
1620		K1	RESISTOR		R5019	1-216-994-11	METAL CHIP 13K 5% 1/10W	42XBR950	
1621		K1	RESISTOR		R5020	1-216-994-11	METAL CHIP 13K 5% 1/10W	42XBR950	
1622		K1	RESISTOR		R5022	1-220-942-11	METAL CHIP 3.3 1% 1/4W	42XBR950	
1623		K1	RESISTOR		R5023	1-220-942-11	METAL CHIP 3.3 1% 1/4W	42XBR950	
1624		K1	RESISTOR		R5026	1-214-871-81	METAL 2K 1% 1/2W	42XBR950	
1625		K1	RESISTOR		R5027	1-214-871-81	METAL 2K 1% 1/2W	42XBR950	
1626		K1	RESISTOR		R5028	1-214-871-81	METAL 2K 1% 1/2W	42XBR950	
1627		K1	RESISTOR		R5029	1-214-871-81	METAL 2K 1% 1/2W	42XBR950	
1628		K1	RESISTOR		R5030	1-215-872-11	METAL OXIDE 3.3K 5% 1W	42XBR950	
1629		K1	RESISTOR		R5031	1-216-308-00	RES-CHIP 4.7 5% 1/10W	42XBR950	
1630		K1	RESISTOR		R5032	1-216-308-00	RES-CHIP 4.7 5% 1/10W	42XBR950	
1631		K1	RESISTOR		R5033	1-216-308-00	RES-CHIP 4.7 5% 1/10W	42XBR950	
1632		K1	RESISTOR		R5034	1-216-308-00	RES-CHIP 4.7 5% 1/10W	42XBR950	
1633		K1	RESISTOR		R5035	1-214-871-81	METAL 2K 1% 1/2W	42XBR950	
1634		K1	RESISTOR		R5036	1-214-871-81	METAL 2K 1% 1/2W	42XBR950	
1635		K1	RESISTOR		R5037	1-216-864-11	SHORT CHIP 0	42XBR950	
1636		K1	RESISTOR		R5038	1-216-797-11	METAL CHIP 10 5% 1/10W	42XBR950	
1637		K1	RESISTOR		R5039	1-216-833-11	METAL CHIP 10K 5% 1/10W	42XBR950	
1638		K1	RESISTOR		R5040	1-216-833-11	METAL CHIP 10K 5% 1/10W	42XBR950	
1639		K1	RESISTOR		R5041	1-214-871-81	METAL 2K 1% 1/2W	42XBR950	
1640		K1	RESISTOR		R5042	1-214-871-81	METAL 2K 1% 1/2W	42XBR950	
1641		K1	RESISTOR		R5043	1-216-864-11	SHORT CHIP 0	42XBR950	
1642		K1	RESISTOR		R5044	1-216-864-11	SHORT CHIP 0	42XBR950	
1643		K1	RESISTOR		R5046	1-216-809-11	METAL CHIP 100 5% 1/10W	42XBR950	
1644		K1	RESISTOR		R5047	1-216-809-11	METAL CHIP 100 5% 1/10W	42XBR950	
1645		K1	RESISTOR		R5048	1-216-809-11	METAL CHIP 100 5% 1/10W	42XBR950	
1646		K1	RESISTOR		R5049	1-216-833-11	METAL CHIP 10K 5% 1/10W	42XBR950	
1647		K1	RESISTOR		R5050	1-216-797-11	METAL CHIP 10 5% 1/10W	42XBR950	
1648		K1	RESISTOR		R5051	1-216-864-11	SHORT CHIP 0	42XBR950	
1649		K1	RESISTOR		R5052	1-216-797-11	METAL CHIP 10 5% 1/10W	42XBR950	
1650		K1	RESISTOR		R5054	1-216-797-11	METAL CHIP 10 5% 1/10W	42XBR950	
1651		K1	RESISTOR		R5060	1-216-829-11	METAL CHIP 4.7K 5% 1/10W	42XBR950	
1652		K1	RESISTOR		R5061	1-260-304-51	CARBON 10 5% 1/2W	42XBR950	
1653		K1	RESISTOR		R5062	1-260-304-51	CARBON 10 5% 1/2W	42XBR950	
1654		K1	RESISTOR		R5063	1-216-158-00	RES-CHIP 22 5% 1/8W	42XBR950	
1655		K1	RESISTOR		R5064	1-216-158-00	RES-CHIP 22 5% 1/8W	42XBR950	
1656		K1	RESISTOR		R5070	1-216-864-11	SHORT CHIP 0	42XBR950	
1657		K1	RESISTOR		R5071	1-216-864-11	SHORT CHIP 0	42XBR950	
1658		K1	RESISTOR		R5072	1-216-833-11	METAL CHIP 10K 5% 1/10W	42XBR950	
1659		K1	RESISTOR		R5073	1-216-833-11	METAL CHIP 10K 5% 1/10W	42XBR950	
1660		K1	RESISTOR		R5074	1-216-821-11	METAL CHIP 1K 5% 1/10W	42XBR950	
1661		K1	RESISTOR		R5075	1-216-821-11	METAL CHIP 1K 5% 1/10W	42XBR950	
1662		K1	RESISTOR		R5076	1-216-841-11	METAL CHIP 47K 5% 1/10W	42XBR950	
1663		K1	RESISTOR		R5077	1-216-841-11	METAL CHIP 47K 5% 1/10W	42XBR950	
1664		K1	RESISTOR		R5078	1-216-841-11	METAL CHIP 47K 5% 1/10W	42XBR950	
1665		K1	RESISTOR		R5079	1-216-809-11	METAL CHIP 100 5% 1/10W	42XBR950	
1666		K1	RESISTOR		R5080	1-216-847-11	METAL CHIP 150K 5% 1/10W	42XBR950	
1667		K1	RESISTOR		R5081	1-216-847-11	METAL CHIP 150K 5% 1/10W	42XBR950	
1668		K1	RESISTOR		R5082	1-216-847-11	METAL CHIP 150K 5% 1/10W	42XBR950	
1669		K1	RESISTOR		R5083	1-216-847-11	METAL CHIP 150K 5% 1/10W	42XBR950	
1670		K1	RESISTOR		R5084	1-218-724-11	METAL CHIP 22K 0.5% 1/10W	42XBR950	
1671		K1	RESISTOR		R5085	1-218-724-11	METAL CHIP 22K 0.5% 1/10W	42XBR950	
1672		K1	RESISTOR		R5089	1-218-840-11	METAL CHIP 510 0.5% 1/10W	42XBR950	
1673		K1	RESISTOR		R5090	1-216-837-11	METAL CHIP 22K 5% 1/10W	42XBR950	
1674		K1	RESISTOR		R5091	1-216-841-11	METAL CHIP 47K 5% 1/10W	42XBR950	
1675		K1	RESISTOR		R5092	1-216-841-11	METAL CHIP 47K 5% 1/10W	42XBR950	
1676		K1	RESISTOR		R5093	1-215-907-11	METAL OXIDE 22 5% 3W	42XBR950	
1677		K1	RESISTOR		R5094	1-218-867-11	METAL CHIP 6.8K 0.5% 1/10W	42XBR950	
1678		K1	RESISTOR		R5095	1-216-815-11	METAL CHIP 330 5% 1/10W	42XBR950	
1679		K1	RESISTOR		R5096	1-216-857-11	METAL CHIP 1M 5% 1/10W	42XBR950	

No.	#	Board	Type	△/*	Ref. No.	Part No.	Description	Remarks-1	Remarks-2
1680		K1	CRYSTAL		X5001	1-795-692-11	QUARTZ CRYSTAL UNIT	42XBR950	
1681		K2	CONNECTOR	*	CN7001	1-564-704-11	PIN, CONNECTOR (SMALL TYPE) 2P	42XBR950	
1682		K2	CONNECTOR	*	CN7002	1-564-507-11	PLUG, CONNECTOR 4P	42XBR950	
1683		K2	CONNECTOR	*	CN7004	1-766-175-11	PIN, CONNECTOR (PC BOARD) 5P	42XBR950	
1684		K2	CONNECTOR		CN7005	1-537-238-11	TERMINAL BOARD	42XBR950	
1685		K2	DIODE		D7003	8-719-041-97	DIODE MA113-(TX)	42XBR950	
1686		K2	DIODE		D7004	8-719-041-97	DIODE MA113-(TX)	42XBR950	
1687		K2	RELAY		RY7001	1-755-509-11	RELAY (FOR SIGNAL)	42XBR950	
1688		K2	RELAY		RY7002	1-755-509-11	RELAY (FOR SIGNAL)	42XBR950	
1689		K2	SWITCH		S7001	1-786-028-11	SWITCH, SLIDE	42XBR950	
1690		T	CAPACITOR		C5301	1-107-826-11	CERAMIC CHIP 0.1UF 10.00% 16V	42XBR950	
1691		T	CAPACITOR		C5302	1-126-391-11	ELECT CHIP 47UF 20.00% 6.3V	42XBR950	
1692		T	CONNECTOR	*	CN5301	1-565-876-11	PIN, CONNECTOR (PC BOARD) 4P	42XBR950	
1693		T	IC		IC5301	8-759-476-80	IC LM75CIMX-3	42XBR950	
1694		T	RESISTOR		R5301	1-216-797-11	METAL CHIP 10 5% 1/10W	42XBR950	
1695		T	RESISTOR		R5302	1-216-797-11	METAL CHIP 10 5% 1/10W	42XBR950	
1696		T	RESISTOR		R5304	1-216-864-11	SHORT CHIP 0	42XBR950	
1697		G	CAPACITOR		C6001	1-165-530-11	MYLAR 0.47UF 10 275V		
1698		G	CAPACITOR		C6002	1-165-528-11	MYLAR 0.1UF 10 275V		
1699		G	CAPACITOR		C6003	1-119-895-51	CERAMIC 4700PF 20.00% 250V		
1700		G	CAPACITOR		C6004	1-119-895-51	CERAMIC 4700PF 20.00% 250V		
1701		G	CAPACITOR		C6005	1-119-887-51	CERAMIC 1000PF 20.00% 250V		
1702		G	CAPACITOR		C6006	1-119-887-51	CERAMIC 1000PF 20.00% 250V		
1703		G	CAPACITOR		C6007	1-161-830-00	CERAMIC 0.0047UF 99% 500V		
1704		G	CAPACITOR		C6008	1-161-830-00	CERAMIC 0.0047UF 99% 500V		
1705		G	CAPACITOR		C6010	1-117-752-11	ELECT(BLOCK) 330UF 20.00% 450V		
1706		G	CAPACITOR		C6011	1-117-752-11	ELECT(BLOCK) 330UF 20.00% 450V		
1707		G	CAPACITOR		C6012	1-163-275-11	CERAMIC CHIP 0.001UF 5.00% 50V		
1708		G	CAPACITOR		C6013	1-136-479-11	FILM 0.001UF 5.00% 100V		
1709		G	CAPACITOR		C6014	1-163-021-91	CERAMIC CHIP 0.01UF 10.00% 50V		
1710		G	CAPACITOR		C6015	1-161-830-00	CERAMIC 0.0047UF 99% 500V		
1711		G	CAPACITOR		C6016	1-161-830-00	CERAMIC 0.0047UF 99% 500V		
1712		G	CAPACITOR		C6017	1-107-894-11	ELECT 220UF 20.00% 35V		
1713		G	CAPACITOR		C6018	1-107-903-11	ELECT 2.2UF 20.00% 50V		
1714		G	CAPACITOR		C6019	1-107-906-11	ELECT 10UF 20.00% 50V		
1715		G	CAPACITOR		C6020	1-161-830-00	CERAMIC 0.0047UF 99% 500V		
1716		G	CAPACITOR		C6021	1-161-830-00	CERAMIC 0.0047UF 99% 500V		
1717		G	CAPACITOR		C6022	1-130-495-00	MYLAR 0.1UF 5.00% 50V		
1718		G	CAPACITOR		C6023	1-126-947-11	ELECT 47UF 20.00% 35V		
1719		G	CAPACITOR		C6024	1-164-004-11	CERAMIC CHIP 0.1UF 10.00% 25V		
1720		G	CAPACITOR		C6025	1-107-680-91	ELECT 22UF 20.00% 450V		
1721		G	CAPACITOR		C6026	1-101-821-00	CERAMIC 0.0022UF 500V		
1722		G	CAPACITOR		C6027	1-107-824-11	CERAMIC 220PF 5.00% 1KV		
1723		G	CAPACITOR		C6028	1-107-824-11	CERAMIC 220PF 5.00% 1KV		
1724		G	CAPACITOR		C6029	1-126-964-11	ELECT 10UF 20.00% 50V		
1725		G	CAPACITOR		C6030	1-164-690-91	CERAMIC CHIP 0.0022UF 5.00% 50V		
1726		G	CAPACITOR		C6031	1-100-732-11	FILM 18000PF 3% 1KV		
1727		G	CAPACITOR		C6032	1-102-228-00	CERAMIC 470PF 10.00% 500V		
1728		G	CAPACITOR		C6033	1-107-909-11	ELECT 47UF 20.00% 50V		
1729		G	CAPACITOR		C6035	1-163-021-91	CERAMIC CHIP 0.01UF 10.00% 50V		
1730		G	CAPACITOR		C6036	1-102-228-00	CERAMIC 470PF 10.00% 500V		
1731		G	CAPACITOR		C6037	1-126-967-11	ELECT 47UF 20.00% 50V		
1732		G	CAPACITOR		C6038	1-107-904-11	ELECT 3.3UF 20.00% 50V		
1733		G	CAPACITOR		C6039	1-135-372-31	ELECT 470UF 20% 10V		
1734		G	CAPACITOR		C6040	1-128-582-11	ELECT 10UF 20.00% 100V		
1735		G	CAPACITOR		C6041	1-107-826-11	CERAMIC CHIP 0.1UF 10.00% 16V		
1736		G	CAPACITOR		C6042	1-164-004-11	CERAMIC CHIP 0.1UF 10.00% 25V		
1737		G	CAPACITOR		C6045	1-128-945-31	ELECT 1000UF 20% 10V		
1738		G	CAPACITOR		C6046	1-104-658-91	ELECT 100UF 20.00% 10V		
1739		G	CAPACITOR		C6048	1-135-362-31	ELECT 1500UF 20% 16V		
1740		G	CAPACITOR		C6050	1-115-185-11	CERAMIC CHIP 0.033UF 10.00% 50V		
1741		G	CAPACITOR		C6052	1-126-947-11	ELECT 47UF 20.00% 35V		
1742		G	CAPACITOR		C6053	1-163-021-91	CERAMIC CHIP 0.01UF 10.00% 50V		
1743		G	CAPACITOR		C6056	1-126-960-11	ELECT 1UF 20.00% 50V		
1744		G	CAPACITOR		C6058	1-126-934-11	ELECT 220UF 20.00% 16V		
1745		G	CAPACITOR		C6059	1-126-923-91	ELECT 220UF 20.00% 10V		
1746		G	CAPACITOR		C6061	1-126-923-91	ELECT 220UF 20.00% 10V		
1747		G	CAPACITOR		C6062	1-107-928-11	ELECT 4.7UF 20.00% 100V		
1748		G	CAPACITOR		C6065	1-126-923-91	ELECT 220UF 20.00% 10V		
1749		G	CAPACITOR		C6067	1-126-923-91	ELECT 220UF 20.00% 10V		
1750		G	CAPACITOR		C6068	1-126-923-91	ELECT 220UF 20.00% 10V		
1751		G	CAPACITOR		C6069	1-126-923-91	ELECT 220UF 20.00% 10V		
1752		G	CAPACITOR		C6070	1-104-658-91	ELECT 100UF 20.00% 10V		

No.	#	Board	Type	△/*	Ref. No.	Part No.	Description	Remarks-1	Remarks-2
1753		G	CAPACITOR		C6071	1-163-021-91	CERAMIC CHIP 0.01UF 10.00% 50V		
1754		G	CAPACITOR		C6072	1-163-021-91	CERAMIC CHIP 0.01UF 10.00% 50V		
1755		G	CAPACITOR		C6074	1-107-823-11	CERAMIC CHIP 0.47UF 10.00% 16V		
1756		G	CAPACITOR		C6079	1-107-826-11	CERAMIC CHIP 0.1UF 10.00% 16V		
1757		G	CAPACITOR		C6082	1-107-826-11	CERAMIC CHIP 0.1UF 10.00% 16V		
1758		G	CAPACITOR		C6101	1-126-960-11	ELECT 1UF 20.00% 50V		
1759		G	CAPACITOR		C6102	1-164-156-11	CERAMIC CHIP 0.1UF 25V		
1760		G	CAPACITOR		C6751	1-165-908-11	CERAMIC CHIP 1UF 10% 10V		
1761		G	CAPACITOR		C6753	1-107-826-11	CERAMIC CHIP 0.1UF 10.00% 16V		
1762		G	CAPACITOR		C6755	1-135-960-91	CERAMIC CHIP 10UF 10% 25V		
1763		G	CAPACITOR		C6756	1-115-339-11	CERAMIC CHIP 0.1UF 10.00% 50V		
1764		G	CAPACITOR		C6759	1-128-949-31	ELECT 470UF 20% 16V		
1765		G	CAPACITOR		C6760	1-126-767-11	ELECT 1000UF 20.00% 16V		
1766		G	CAPACITOR		C6761	1-165-176-11	CERAMIC CHIP 0.047UF 10.00% 16V		
1767		G	CAPACITOR		C6762	1-100-566-91	CERAMIC CHIP 0.1UF 10.00% 25V		
1768		G	CAPACITOR		C6764	1-162-964-11	CERAMIC CHIP 0.001UF 10.00% 50V		
1769		G	CAPACITOR		C6766	1-128-950-31	ELECT 1000UF 20% 16V		
1770		G	CAPACITOR		C6767	1-165-730-31	ELECT 680UF 20% 16V		
1771		G	CAPACITOR		C6768	1-164-245-11	CERAMIC CHIP 0.015UF 10.00% 25V		
1772		G	CAPACITOR		C6770	1-100-591-91	CERAMIC CHIP 1UF 10% 25V		
1773		G	LEAD PIN	*	CLP601	4-042-408-02	PIN(45), WIRE		
1774		G	LEAD PIN	*	CLP602	4-042-408-02	PIN(45), WIRE		
1775		G	CONNECTOR		CN6001	1-785-294-11	PIN, CONNECTOR (PC BOARD) 3P		
1776		G	CONNECTOR	*	CN6002	1-564-515-11	PLUG, CONNECTOR 12P		
1777		G	CONNECTOR	*	CN6003	1-564-511-11	PLUG, CONNECTOR 8P		
1778		G	CONNECTOR	*	CN6004	1-564-510-11	PLUG, CONNECTOR 7P		
1779		G	CONNECTOR	*	CN6005	1-566-765-11	PIN, CONNECTOR (PC BOARD) 10P		
1780		G	CONNECTOR		CN6009	1-695-915-11	TAB (CONTACT)		
1781		G	CONNECTOR		CN6010	1-695-915-11	TAB (CONTACT)		
1782		G	CONNECTOR		CN6011	1-695-915-11	TAB (CONTACT)		
1783		G	CONNECTOR	*	CN6101	1-566-761-11	PIN, CONNECTOR (PC BOARD) 6P		
1784		G	DIODE		D6001	8-719-041-97	DIODE MA113-(TX)		
1785		G	DIODE		D6002	8-719-041-97	DIODE MA113-(TX)		
1786		G	DIODE		D6003	8-719-948-45	DIODE ERA22-08		
1787		G	DIODE		D6004	8-719-077-77	DIODE D3SB60F3		
1788		G	DIODE		D6005	8-719-031-79	DIODE D5SC4M		
1789		G	DIODE		D6006	8-719-404-50	DIODE MA111-TX		
1790		G	DIODE		D6007	8-719-077-76	DIODE D2SB60A-F04		
1791		G	DIODE		D6008	8-719-979-64	DIODE UF4005PKG23		
1792		G	DIODE		D6014	8-719-948-45	DIODE ERA22-08		
1793		G	DIODE		D6015	8-719-063-73	DIODE D1NL20U-TR		
1794		G	DIODE		D6016	8-719-063-73	DIODE D1NL20U-TR		
1795		G	DIODE		D6017	8-719-041-97	DIODE MA113-(TX)		
1796		G	DIODE		D6018	8-719-063-73	DIODE D1NL20U-TR		
1797		G	DIODE		D6019	8-719-063-73	DIODE D1NL20U-TR		
1798		G	DIODE		D6020	8-719-510-09	DIODE D10SC6M		
1799		G	DIODE		D6021	8-719-069-56	DIODE UDZSTE-176.2B		
1800		G	DIODE		D6022	8-719-031-79	DIODE D5SC4M		
1801		G	DIODE		D6023	8-719-404-50	DIODE MA111-TX		
1802		G	DIODE		D6024	8-719-056-85	DIODE UDZ-TE-17-8.2B		
1803		G	DIODE		D6026	8-719-033-53	DIODE RD6.8SB2-T1		
1804		G	DIODE		D6029	8-719-404-50	DIODE MA111-TX		
1805		G	DIODE		D6030	8-719-404-50	DIODE MA111-TX		
1806		G	DIODE		D6031	8-719-083-71	DIODE UDZSTE-1730B		
1807		G	DIODE		D6032	8-719-983-37	DIODE MTZJ-T-77-36A		
1808		G	DIODE		D6033	8-719-063-73	DIODE D1NL20U-TR		
1809		G	DIODE		D6034	8-719-083-83	DIODE UDZS-TE17-15B		
1810		G	DIODE		D6035	8-719-083-83	DIODE UDZS-TE17-15B		
1811		G	DIODE		D6036	8-719-083-83	DIODE UDZS-TE17-15B		
1812		G	DIODE		D6037	8-719-083-83	DIODE UDZS-TE17-15B		
1813		G	DIODE		D6038	8-719-083-83	DIODE UDZS-TE17-15B		
1814		G	DIODE		D6101	8-719-404-50	DIODE MA111-TX		
1815		G	DIODE		D6102	8-719-404-50	DIODE MA111-TX		
1816		G	DIODE		D6750	8-719-081-67	DIODE M1FM3		
1817		G	DIODE		D6751	8-719-081-97	DIODE MMDL914T1		
1818		G	DIODE		D6752	8-719-081-97	DIODE MMDL914T1		
1819		G	DIODE		D6753	8-719-977-28	DIODE DTZ10B		
1820		G	DIODE		D6755	8-719-056-85	DIODE UDZ-TE-17-8.2B		
1821		G	FUSE	△	F6001	1-576-233-12	FUSE 6.3A 250V		
1822		G	FUSE HOLDER		FH6001	1-533-223-11	FUSE HOLDER 0A 0V		
1823		G	FUSE HOLDER		FH6002	1-533-223-11	FUSE HOLDER 0A 0V		
1824		G	IC		IC6002	8-759-670-30	IC MCZ3001D		
1825		G	IC		IC6003	6-703-136-01	IC MIP2C20MP1SO		

No.	#	Board	Type	△/*	Ref. No.	Part No.	Description	Remarks-1	Remarks-2
1826		G	IC		IC6004	8-759-198-31	IC UPC1093J-1-T		
1827		G	IC		IC6005	8-759-198-31	IC UPC1093J-1-T		
1828		G	IC		IC6006	8-759-471-81	IC PQ05RD11		
1829		G	IC		IC6007	8-759-653-07	IC PQ09RD21		
1830		G	IC		IC6009	6-700-898-01	IC PQ05RD21		
1831		G	IC		IC6010	8-759-471-81	IC PQ05RD11		
1832		G	IC		IC6750	6-704-120-01	IC MD3221N		
1833		G	IC		IC6751	8-759-521-89	IC PQ20WZ5U		
1834		G	COIL		L6001	1-424-677-11	TRANSFORMER, LINE FILTER		
1835		G	COIL		L6003	1-414-158-11	INDUCTOR 2.2UH		
1836		G	COIL		L6004	1-414-158-11	INDUCTOR 2.2UH		
1837		G	COIL		L6007	1-412-521-31	INDUCTOR 4.7UH		
1838		G	COIL		L6008	1-412-521-31	INDUCTOR 4.7UH		
1839		G	COIL		L6010	1-412-525-31	INDUCTOR 10UH		
1840		G	COIL		L6750	1-419-740-12	INDUCTOR 15UH		
1841		G	COIL		L6751	1-412-525-31	INDUCTOR 10UH		
1842		G	COIL		L6752	1-412-525-31	INDUCTOR 10UH		
1843		G	PHOTO COUPLER		PH6002	8-749-924-35	PHOTO COUPLER ON3171-R		
1844		G	PHOTO COUPLER		PH6003	8-749-924-35	PHOTO COUPLER ON3171-R		
1845		G	PHOTO COUPLER		PH6004	8-749-016-81	PHOTO COUPLER PC123Y22		
1846		G	IC LINK	△	PS6001	1-576-607-11	FUSE 6.3A 125V		
1847		G	IC LINK	△	PS6002	1-249-393-11	CARBON 10 5% 1/4W		
1848		G	TRANSISTOR		Q6001	8-729-023-22	TRANSISTOR 2SD2114K		
1849		G	TRANSISTOR		Q6003	8-729-052-32	TRANSISTOR IRFIB7N50A-LF31		
1850		G	TRANSISTOR		Q6004	8-729-052-32	TRANSISTOR IRFIB7N50A-LF31		
1851		G	TRANSISTOR		Q6005	8-729-422-33	TRANSISTOR 2SD601A-Q-TX		
1852		G	TRANSISTOR		Q6006	8-729-216-22	TRANSISTOR 2SA1162-G		
1853		G	TRANSISTOR		Q6010	8-729-422-33	TRANSISTOR 2SD601A-Q-TX		
1854		G	TRANSISTOR		Q6011	8-729-422-33	TRANSISTOR 2SD601A-Q-TX		
1855		G	TRANSISTOR		Q6012	8-729-140-96	TRANSISTOR 2SD774-34		
1856		G	TRANSISTOR		Q6014	8-729-010-25	TRANSISTOR MSD601-RT1		
1857		G	TRANSISTOR		Q6751	8-729-010-25	TRANSISTOR MSD601-RT1		
1858		G	RESISTOR		R6001	1-219-759-11	METAL 1M 5% 1/2W		
1859		G	RESISTOR		R6002	1-247-289-00	METAL 8.2M 5% 1W		
1860		G	RESISTOR		R6003	1-240-251-11	CEMENTED 6.8 5% 10W		
1861		G	RESISTOR		R6004	1-247-752-11	CARBON 1K 5% 1/2W		
1862		G	RESISTOR		R6005	1-216-829-11	METAL CHIP 4.7K 5% 1/10W		
1863		G	RESISTOR		R6006	1-249-399-11	CARBON 33 5% 1/4W		
1864		G	RESISTOR		R6009	1-202-933-61	FUSE 0.1 10% 1/2W		
1865		G	RESISTOR		R6010	1-218-728-11	METAL CHIP 33K 0.5% 1/10W		
1866		G	RESISTOR		R6011	1-218-716-11	METAL CHIP 10K 0.5% 1/10W		
1867		G	RESISTOR		R6014	1-218-668-11	METAL CHIP 100 0.5% 1/10W		
1868		G	RESISTOR		R6016	1-249-389-11	CARBON 4.7 5% 1/4W		
1869		G	RESISTOR		R6017	1-218-668-11	METAL CHIP 100 0.5% 1/10W		
1870		G	RESISTOR		R6018	1-249-417-11	CARBON 1K 5% 1/4W		
1871		G	RESISTOR		R6019	1-249-393-11	CARBON 10 5% 1/4W		
1872		G	RESISTOR		R6020	1-249-393-11	CARBON 10 5% 1/4W		
1873		G	RESISTOR		R6021	1-216-833-11	METAL CHIP 10K 5% 1/10W		
1874		G	RESISTOR		R6022	1-216-833-11	METAL CHIP 10K 5% 1/10W		
1875		G	RESISTOR		R6025	1-218-642-11	METAL OXIDE 100K 5% 1W		
1876		G	RESISTOR		R6026	1-216-852-11	METAL CHIP 390K 5% 1/10W		
1877		G	RESISTOR		R6027	1-249-402-11	CARBON 56 5% 1/4W		
1878		G	RESISTOR		R6028	1-243-979-71	METAL OXIDE 0.1 5% 2W		
1879		G	RESISTOR		R6029	1-249-393-11	CARBON 10 5% 1/4W		
1880		G	RESISTOR		R6030	1-216-835-11	METAL CHIP 15K 5% 1/10W		
1881		G	RESISTOR		R6031	1-216-817-11	METAL CHIP 470 5% 1/10W		
1882		G	RESISTOR		R6032	1-216-829-11	METAL CHIP 4.7K 5% 1/10W		
1883		G	RESISTOR		R6033	1-216-821-11	METAL CHIP 1K 5% 1/10W		
1884		G	RESISTOR		R6034	1-249-417-11	CARBON 1K 5% 1/4W		
1885		G	RESISTOR		R6035	1-218-724-11	METAL CHIP 22K 0.5% 1/10W		
1886		G	RESISTOR		R6036	1-218-724-11	METAL CHIP 22K 0.5% 1/10W		
1887		G	RESISTOR		R6037	1-216-805-11	METAL CHIP 47 5% 1/10W		
1888		G	RESISTOR		R6038	1-216-041-00	RES-CHIP 470 5% 1/10W		
1889		G	RESISTOR		R6039	1-216-829-11	METAL CHIP 4.7K 5% 1/10W		
1890		G	RESISTOR		R6043	1-249-405-11	CARBON 100 5% 1/4W		
1891		G	RESISTOR		R6044	1-218-712-11	METAL CHIP 6.8K 0.5% 1/10W		
1892		G	RESISTOR		R6045	1-218-708-11	METAL CHIP 4.7K 0.5% 1/10W		
1893		G	RESISTOR		R6047	1-218-716-11	METAL CHIP 10K 0.5% 1/10W		
1894		G	RESISTOR		R6048	1-216-821-11	METAL CHIP 1K 5% 1/10W		
1895		G	RESISTOR		R6049	1-216-821-11	METAL CHIP 1K 5% 1/10W		
1896		G	RESISTOR		R6050	1-216-821-11	METAL CHIP 1K 5% 1/10W		
1897		G	RESISTOR		R6051	1-216-821-11	METAL CHIP 1K 5% 1/10W		
1898		G	RESISTOR		R6052	1-216-833-11	METAL CHIP 10K 5% 1/10W		

No.	#	Board	Type	△/*	Ref. No.	Part No.	Description	Remarks-1	Remarks-2
1899		G	RESISTOR		R6053	1-216-833-11	METAL CHIP 10K 5% 1/10W		
1900		G	RESISTOR		R6054	1-216-833-11	METAL CHIP 10K 5% 1/10W		
1901		G	RESISTOR		R6062	1-216-833-11	METAL CHIP 10K 5% 1/10W		
1902		G	RESISTOR		R6063	1-216-833-11	METAL CHIP 10K 5% 1/10W		
1903		G	RESISTOR		R6064	1-216-833-11	METAL CHIP 10K 5% 1/10W		
1904		G	RESISTOR		R6065	1-216-833-11	METAL CHIP 10K 5% 1/10W		
1905		G	RESISTOR		R6067	1-216-833-11	METAL CHIP 10K 5% 1/10W		
1906		G	RESISTOR		R6068	1-216-833-11	METAL CHIP 10K 5% 1/10W		
1907		G	RESISTOR		R6069	1-216-833-11	METAL CHIP 10K 5% 1/10W		
1908		G	RESISTOR		R6070	1-216-864-11	SHORT CHIP 0		
1909		G	RESISTOR		R6071	1-216-833-11	METAL CHIP 10K 5% 1/10W		
1910		G	RESISTOR		R6072	1-216-837-11	METAL CHIP 22K 5% 1/10W		
1911		G	RESISTOR		R6073	1-216-825-11	METAL CHIP 2.2K 5% 1/10W		
1912		G	RESISTOR		R6075	1-216-833-11	METAL CHIP 10K 5% 1/10W		
1913		G	RESISTOR		R6076	1-249-393-11	CARBON 10 5% 1/4W		
1914		G	RESISTOR		R6079	1-218-728-11	METAL CHIP 33K 0.5% 1/10W		
1915		G	RESISTOR		R6080	1-245-477-21	METAL 430K 1% 1/4W		
1916		G	RESISTOR		R6081	1-245-480-21	METAL 560K 1% 1/4W		
1917		G	RESISTOR		R6082	1-216-845-11	METAL CHIP 100K 5% 1/10W		
1918		G	RESISTOR		R6084	1-216-829-11	METAL CHIP 4.7K 5% 1/10W		
1919		G	RESISTOR		R6085	1-216-841-11	METAL CHIP 47K 5% 1/10W		
1920		G	RESISTOR		R6088	1-216-821-11	METAL CHIP 1K 5% 1/10W		
1921		G	RESISTOR		R6101	1-216-827-11	METAL CHIP 3.3K 5% 1/10W		
1922		G	RESISTOR		R6102	1-216-827-11	METAL CHIP 3.3K 5% 1/10W		
1923		G	RESISTOR		R6103	1-216-833-11	METAL CHIP 10K 5% 1/10W		
1924		G	RESISTOR		R6751	1-216-821-11	METAL CHIP 1K 5% 1/10W		
1925		G	RESISTOR		R6752	1-216-833-11	METAL CHIP 10K 5% 1/10W		
1926		G	RESISTOR		R6753	1-216-295-91	SHORT CHIP 0		
1927		G	RESISTOR		R6754	1-216-295-91	SHORT CHIP 0		
1928		G	RESISTOR		R6755	1-216-295-91	SHORT CHIP 0		
1929		G	RESISTOR		R6756	1-216-295-91	SHORT CHIP 0		
1930		G	RESISTOR		R6758	1-216-864-11	SHORT CHIP 0		
1931		G	RESISTOR		R6760	1-216-864-11	SHORT CHIP 0		
1932		G	RESISTOR		R6761	1-216-845-11	METAL CHIP 100K 5% 1/10W		
1933		G	RESISTOR		R6762	1-218-692-11	METAL CHIP 1K 0.5% 1/10W		
1934		G	RESISTOR		R6763	1-216-641-11	METAL CHIP 390 0.5% 1/10W		
1935		G	RESISTOR		R6764	1-216-675-91	METAL CHIP 10K 0.5% 1/10W		
1936		G	RESISTOR		R6766	1-216-829-11	METAL CHIP 4.7K 5% 1/10W		
1937		G	RESISTOR		R6767	1-216-829-11	METAL CHIP 4.7K 5% 1/10W		
1938		G	RESISTOR		R6768	1-216-825-11	METAL CHIP 2.2K 5% 1/10W		
1939		G	RESISTOR		R6769	1-216-809-11	METAL CHIP 100 5% 1/10W		
1940		G	RESISTOR		R6770	1-216-813-11	METAL CHIP 220 5% 1/10W		
1941		G	RESISTOR		R6771	1-216-803-11	METAL CHIP 33 5% 1/10W		
1942		G	RESISTOR		R6773	1-216-295-91	SHORT CHIP 0		
1943		G	RELAY		RY6001	1-755-388-11	RELAY (AC POWER)		
1944		G	RELAY		RY6002	1-755-407-11	RELAY (AC POWER)		
1945		G	SPARK GAP		SG6001	1-417-339-11	SURGE ARRESTERS		
1946		G	TRANSFORMER		T6003	1-443-116-11	DC-DC CONVERTER TRANSFORMER		
1947		G	TRANSFORMER		T6004	1-443-113-11	CONVERTER TRANSFORMER (PIT)		
1948		G	THERMISTOR		TH6001	1-803-586-41	THERMISTOR		
1949		G	VARISTOR		VD6001	1-803-830-31	VARISTOR (ERZV14D621)		
1950		G	VARISTOR		VD6002	1-803-830-31	VARISTOR (ERZV14D621)		
1951		A	CAPACITOR		C8000	1-128-407-11	ELECT CHIP 47UF 20% 50V		
1952		A	CAPACITOR		C8001	1-162-966-11	CERAMIC CHIP 0.0022UF 10.00% 50V		
1953		A	CAPACITOR		C8002	1-162-966-11	CERAMIC CHIP 0.0022UF 10.00% 50V		
1954		A	CAPACITOR		C8003	1-162-966-11	CERAMIC CHIP 0.0022UF 10.00% 50V		
1955		A	CAPACITOR		C8004	1-117-681-11	ELECT CHIP 100UF 20.00% 16V		
1956		A	CAPACITOR		C8005	1-117-681-11	ELECT CHIP 100UF 20.00% 16V		
1957		A	CAPACITOR		C8007	1-124-779-00	ELECT CHIP 10UF 20.00% 16V		
1958		A	CAPACITOR		C8008	1-162-970-11	CERAMIC CHIP 0.01UF 10.00% 25V		
1959		A	CAPACITOR		C8010	1-117-681-11	ELECT CHIP 100UF 20.00% 16V		
1960		A	CAPACITOR		C8011	1-162-966-11	CERAMIC CHIP 0.0022UF 10.00% 50V		
1961		A	CAPACITOR		C8012	1-115-156-11	CERAMIC CHIP 1UF 10V		
1962		A	CAPACITOR		C8013	1-165-176-11	CERAMIC CHIP 0.047UF 10.00% 16V		
1963		A	CAPACITOR		C8014	1-164-230-11	CERAMIC CHIP 220PF 5.00% 50V		
1964		A	CAPACITOR		C8015	1-162-966-11	CERAMIC CHIP 0.0022UF 10.00% 50V		
1965		A	CAPACITOR		C8016	1-128-407-11	ELECT CHIP 47UF 20% 50V		
1966		A	CAPACITOR		C8017	1-162-966-11	CERAMIC CHIP 0.0022UF 10.00% 50V		
1967		A	CAPACITOR		C8018	1-117-681-11	ELECT CHIP 100UF 20.00% 16V		
1968		A	CAPACITOR		C8019	1-162-966-11	CERAMIC CHIP 0.0022UF 10.00% 50V		
1969		A	CAPACITOR		C8020	1-117-681-11	ELECT CHIP 100UF 20.00% 16V		
1970		A	CAPACITOR		C8021	1-162-966-11	CERAMIC CHIP 0.0022UF 10.00% 50V		
1971		A	CAPACITOR		C8022	1-117-681-11	ELECT CHIP 100UF 20.00% 16V		

No.	#	Board	Type	Δ /*	Ref. No.	Part No.	Description	Remarks-1	Remarks-2
1972		A	CAPACITOR		C8024	1-107-778-11	ELECT CHIP 470UF 20% 16V		
1973		A	CAPACITOR		C8025	1-162-970-11	CERAMIC CHIP 0.01UF 10.00% 25V		
1974		A	CAPACITOR		C8026	1-115-156-11	CERAMIC CHIP 1UF 10V		
1975		A	CAPACITOR		C8027	1-124-779-00	ELECT CHIP 10UF 20.00% 16V		
1976		A	CAPACITOR		C8028	1-162-966-11	CERAMIC CHIP 0.0022UF 10.00% 50V		
1977		A	CAPACITOR		C8029	1-165-176-11	CERAMIC CHIP 0.047UF 10.00% 16V		
1978		A	CAPACITOR		C8031	1-164-156-11	CERAMIC CHIP 0.1UF 25V		
1979		A	CAPACITOR		C8032	1-164-230-11	CERAMIC CHIP 220PF 5.00% 50V		
1980		A	CAPACITOR		C8033	1-104-607-11	ELECT CHIP 47UF 20.00% 16V		
1981		A	CAPACITOR		C8034	1-128-594-11	ELECT CHIP 1UF 20.00% 50V		
1982		A	CAPACITOR		C8035	1-128-594-11	ELECT CHIP 1UF 20.00% 50V		
1983		A	CAPACITOR		C8036	1-164-156-11	CERAMIC CHIP 0.1UF 25V		
1984		A	CAPACITOR		C8037	1-117-681-11	ELECT CHIP 100UF 20.00% 16V		
1985		A	CAPACITOR		C8041	1-128-594-11	ELECT CHIP 1UF 20.00% 50V		
1986		A	CAPACITOR		C8200	1-125-837-91	CERAMIC CHIP 1UF 10% 6.3V		
1987		A	CAPACITOR		C8201	1-125-837-91	CERAMIC CHIP 1UF 10% 6.3V		
1988		A	CAPACITOR		C8202	1-125-837-91	CERAMIC CHIP 1UF 10% 6.3V		
1989		A	CAPACITOR		C8203	1-125-837-91	CERAMIC CHIP 1UF 10% 6.3V		
1990		A	CAPACITOR		C8204	1-124-779-00	ELECT CHIP 10UF 20.00% 16V		
1991		A	CAPACITOR		C8205	1-128-357-11	ELECT CHIP 10UF 20.00% 16V		
1992		A	CAPACITOR		C8206	1-128-357-11	ELECT CHIP 10UF 20.00% 16V		
1993		A	CAPACITOR		C8207	1-128-357-11	ELECT CHIP 10UF 20.00% 16V		
1994		A	CAPACITOR		C8208	1-128-357-11	ELECT CHIP 10UF 20.00% 16V		
1995		A	CAPACITOR		C8210	1-124-779-00	ELECT CHIP 10UF 20.00% 16V		
1996		A	CAPACITOR		C8211	1-126-603-11	ELECT CHIP 4.7UF 20.00% 35V		
1997		A	CAPACITOR		C8212	1-107-826-11	CERAMIC CHIP 0.1UF 10.00% 16V		
1998		A	CAPACITOR		C8214	1-126-603-11	ELECT CHIP 4.7UF 20.00% 35V		
1999		A	CAPACITOR		C8215	1-107-826-11	CERAMIC CHIP 0.1UF 10.00% 16V		
2000		A	CAPACITOR		C8216	1-162-966-11	CERAMIC CHIP 0.0022UF 10.00% 50V		
2001		A	CAPACITOR		C8217	1-162-966-11	CERAMIC CHIP 0.0022UF 10.00% 50V		
2002		A	CAPACITOR		C8218	1-126-603-11	ELECT CHIP 4.7UF 20.00% 35V		
2003		A	CAPACITOR		C8219	1-117-681-11	ELECT CHIP 100UF 20.00% 16V		
2004		A	CAPACITOR		C8221	1-126-603-11	ELECT CHIP 4.7UF 20.00% 35V		
2005		A	CAPACITOR		C8222	1-162-966-11	CERAMIC CHIP 0.0022UF 10.00% 50V		
2006		A	CAPACITOR		C8223	1-162-966-11	CERAMIC CHIP 0.0022UF 10.00% 50V		
2007		A	CAPACITOR		C8227	1-125-837-91	CERAMIC CHIP 1UF 10% 6.3V		
2008		A	CAPACITOR		C8228	1-164-230-11	CERAMIC CHIP 220PF 5.00% 50V		
2009		A	CAPACITOR		C8229	1-124-779-00	ELECT CHIP 10UF 20.00% 16V		
2010		A	CAPACITOR		C8230	1-107-826-11	CERAMIC CHIP 0.1UF 10.00% 16V		
2011		A	CAPACITOR		C8231	1-124-779-00	ELECT CHIP 10UF 20.00% 16V		
2012		A	CAPACITOR		C8232	1-124-779-00	ELECT CHIP 10UF 20.00% 16V		
2013		A	CAPACITOR		C8233	1-107-826-11	CERAMIC CHIP 0.1UF 10.00% 16V		
2014		A	CAPACITOR		C8234	1-164-230-11	CERAMIC CHIP 220PF 5.00% 50V		
2015		A	CAPACITOR		C8235	1-107-826-11	CERAMIC CHIP 0.1UF 10.00% 16V		
2016		A	CAPACITOR		C8400	1-164-360-11	CERAMIC CHIP 0.1UF 16V		
2017		A	CAPACITOR		C8401	1-124-779-00	ELECT CHIP 10UF 20.00% 16V		
2018		A	CAPACITOR		C8402	1-125-891-11	CERAMIC CHIP 0.47UF 10.00% 10V		
2019		A	CAPACITOR		C8403	1-125-891-11	CERAMIC CHIP 0.47UF 10.00% 10V		
2020		A	CAPACITOR		C8404	1-124-779-00	ELECT CHIP 10UF 20.00% 16V		
2021		A	CAPACITOR		C8405	1-164-156-11	CERAMIC CHIP 0.1UF 25V		
2022		A	CAPACITOR		C8406	1-125-891-11	CERAMIC CHIP 0.47UF 10.00% 10V		
2023		A	CAPACITOR		C8407	1-125-891-11	CERAMIC CHIP 0.47UF 10.00% 10V		
2024		A	CAPACITOR		C8408	1-124-779-00	ELECT CHIP 10UF 20.00% 16V		
2025		A	CAPACITOR		C8409	1-124-779-00	ELECT CHIP 10UF 20.00% 16V		
2026		A	CAPACITOR		C8410	1-125-891-11	CERAMIC CHIP 0.47UF 10.00% 10V		
2027		A	CAPACITOR		C8411	1-125-891-11	CERAMIC CHIP 0.47UF 10.00% 10V		
2028		A	CAPACITOR		C8412	1-125-891-11	CERAMIC CHIP 0.47UF 10.00% 10V		
2029		A	CAPACITOR		C8413	1-125-891-11	CERAMIC CHIP 0.47UF 10.00% 10V		
2030		A	CAPACITOR		C8414	1-125-891-11	CERAMIC CHIP 0.47UF 10.00% 10V		
2031		A	CAPACITOR		C8415	1-125-891-11	CERAMIC CHIP 0.47UF 10.00% 10V		
2032		A	CAPACITOR		C8416	1-109-982-11	CERAMIC CHIP 1UF 10.00% 10V		
2033		A	CAPACITOR		C8417	1-126-394-11	ELECT CHIP 10UF 20.00% 16V		
2034		A	CAPACITOR		C8418	1-128-590-11	ELECT CHIP 100UF 20.00% 6.3V		
2035		A	CAPACITOR		C8420	1-125-891-11	CERAMIC CHIP 0.47UF 10.00% 10V		
2036		A	CAPACITOR		C8421	1-164-156-11	CERAMIC CHIP 0.1UF 25V		
2037		A	CAPACITOR		C8422	1-125-891-11	CERAMIC CHIP 0.47UF 10.00% 10V		
2038		A	CAPACITOR		C8424	1-164-156-11	CERAMIC CHIP 0.1UF 25V		
2039		A	CAPACITOR		C8425	1-162-970-11	CERAMIC CHIP 0.01UF 10.00% 25V		
2040		A	CAPACITOR		C8426	1-125-837-91	CERAMIC CHIP 1UF 10% 6.3V		
2041		A	CAPACITOR		C8427	1-107-826-11	CERAMIC CHIP 0.1UF 10.00% 16V		
2042		A	CAPACITOR		C8429	1-107-826-11	CERAMIC CHIP 0.1UF 10.00% 16V		
2043		A	CAPACITOR		C8430	1-124-779-00	ELECT CHIP 10UF 20.00% 16V		
2044		A	CAPACITOR		C8431	1-124-779-00	ELECT CHIP 10UF 20.00% 16V		

No.	#	Board	Type	△/*	Ref. No.	Part No.	Description	Remarks-1	Remarks-2
2045		A	CAPACITOR		C8432	1-124-779-00	ELECT CHIP 10UF 20.00% 16V		
2046		A	CAPACITOR		C8433	1-124-779-00	ELECT CHIP 10UF 20.00% 16V		
2047		A	CAPACITOR		C8434	1-107-826-11	CERAMIC CHIP 0.1UF 10.00% 16V		
2048		A	CAPACITOR		C8435	1-124-779-00	ELECT CHIP 10UF 20.00% 16V		
2049		A	CAPACITOR		C8436	1-164-360-11	CERAMIC CHIP 0.1UF 16V		
2050		A	CAPACITOR		C8437	1-124-779-00	ELECT CHIP 10UF 20.00% 16V		
2051		A	CAPACITOR		C8438	1-107-826-11	CERAMIC CHIP 0.1UF 10.00% 16V		
2052		A	CAPACITOR		C8439	1-128-394-11	ELECT CHIP 220UF 20% 10V		
2053		A	CAPACITOR		C8501	1-162-970-11	CERAMIC CHIP 0.01UF 10.00% 25V		
2054		A	CAPACITOR		C8502	1-107-826-11	CERAMIC CHIP 0.1UF 10.00% 16V		
2055		A	CAPACITOR		C8503	1-107-826-11	CERAMIC CHIP 0.1UF 10.00% 16V		
2056		A	CAPACITOR		C8504	1-165-871-21	ELECT CHIP 22UF 20% 6.3V		
2057		A	CAPACITOR		C8507	1-165-908-11	CERAMIC CHIP 1UF 10% 10V		
2058		A	CAPACITOR		C8508	1-107-826-11	CERAMIC CHIP 0.1UF 10.00% 16V		
2059		A	CAPACITOR		C8509	1-107-826-11	CERAMIC CHIP 0.1UF 10.00% 16V		
2060		A	CAPACITOR		C8510	1-107-826-11	CERAMIC CHIP 0.1UF 10.00% 16V		
2061		A	CAPACITOR		C8512	1-162-970-11	CERAMIC CHIP 0.01UF 10.00% 25V		
2062		A	CAPACITOR		C8514	1-107-826-11	CERAMIC CHIP 0.1UF 10.00% 16V		
2063		A	CAPACITOR		C8515	1-162-915-11	CERAMIC CHIP 10PF 0.50PF 50V		
2064		A	CAPACITOR		C8516	1-162-916-11	CERAMIC CHIP 12PF 5.00% 50V		
2065		A	CAPACITOR		C8520	1-107-826-11	CERAMIC CHIP 0.1UF 10.00% 16V		
2066		A	CAPACITOR		C8521	1-162-927-11	CERAMIC CHIP 100PF 5.00% 50V		
2067		A	CAPACITOR		C8522	1-107-826-11	CERAMIC CHIP 0.1UF 10.00% 16V		
2068		A	CAPACITOR		C8523	1-165-871-21	ELECT CHIP 22UF 20% 6.3V		
2069		A	CAPACITOR		C8524	1-165-871-21	ELECT CHIP 22UF 20% 6.3V		
2070		A	CAPACITOR		C8525	1-124-779-00	ELECT CHIP 10UF 20.00% 16V		
2071		A	CAPACITOR		C8526	1-124-779-00	ELECT CHIP 10UF 20.00% 16V		
2072		A	CAPACITOR		C8527	1-124-779-00	ELECT CHIP 10UF 20.00% 16V		
2073		A	CAPACITOR		C8528	1-165-871-21	ELECT CHIP 22UF 20% 6.3V		
2074		A	CAPACITOR		C8529	1-107-826-11	CERAMIC CHIP 0.1UF 10.00% 16V		
2075		A	CAPACITOR		C8530	1-162-927-11	CERAMIC CHIP 100PF 5.00% 50V		
2076		A	CAPACITOR		C8531	1-107-826-11	CERAMIC CHIP 0.1UF 10.00% 16V		
2077		A	CAPACITOR		C8532	1-165-871-21	ELECT CHIP 22UF 20% 6.3V		
2078		A	CAPACITOR		C8533	1-107-826-11	CERAMIC CHIP 0.1UF 10.00% 16V		
2079		A	CAPACITOR		C8534	1-165-871-21	ELECT CHIP 22UF 20% 6.3V		
2080		A	CAPACITOR		C8535	1-128-993-21	ELECT CHIP 22UF 20% 10V		
2081		A	CAPACITOR		C8536	1-124-779-00	ELECT CHIP 10UF 20.00% 16V		
2082		A	CAPACITOR		C8537	1-216-864-11	SHORT CHIP 0		
2083		A	CAPACITOR		C8540	1-124-779-00	ELECT CHIP 10UF 20.00% 16V		
2084		A	CAPACITOR		C8541	1-107-826-11	CERAMIC CHIP 0.1UF 10.00% 16V		
2085		A	CAPACITOR		C8542	1-107-826-11	CERAMIC CHIP 0.1UF 10.00% 16V		
2086		A	CAPACITOR		C8544	1-124-779-00	ELECT CHIP 10UF 20.00% 16V		
2087		A	CAPACITOR		C8545	1-107-826-11	CERAMIC CHIP 0.1UF 10.00% 16V		
2088		A	CAPACITOR		C8546	1-216-864-11	SHORT CHIP 0		
2089		A	CAPACITOR		C8547	1-128-993-21	ELECT CHIP 22UF 20% 10V		
2090		A	CAPACITOR		C8548	1-128-993-21	ELECT CHIP 22UF 20% 10V		
2091		A	CAPACITOR		C8549	1-124-779-00	ELECT CHIP 10UF 20.00% 16V		
2092		A	CAPACITOR		C8550	1-162-970-11	CERAMIC CHIP 0.01UF 10.00% 25V		
2093		A	CAPACITOR		C8551	1-128-993-21	ELECT CHIP 22UF 20% 10V		
2094		A	CAPACITOR		C8552	1-128-993-21	ELECT CHIP 22UF 20% 10V		
2095		A	CAPACITOR		C8553	1-107-826-11	CERAMIC CHIP 0.1UF 10.00% 16V		
2096		A	CAPACITOR		C8600	1-107-826-11	CERAMIC CHIP 0.1UF 10.00% 16V		
2097		A	CAPACITOR		C8601	1-107-826-11	CERAMIC CHIP 0.1UF 10.00% 16V		
2098		A	CAPACITOR		C8602	1-162-963-11	CERAMIC CHIP 680PF 10.00% 50V		
2099		A	CAPACITOR		C8603	1-162-968-11	CERAMIC CHIP 0.0047UF 10.00% 50V		
2100		A	CAPACITOR		C8604	1-124-778-00	ELECT CHIP 22UF 20.00% 6.3V		
2101		A	CAPACITOR		C8605	1-107-826-11	CERAMIC CHIP 0.1UF 10.00% 16V		
2102		A	CAPACITOR		C8606	1-107-826-11	CERAMIC CHIP 0.1UF 10.00% 16V		
2103		A	CAPACITOR		C8607	1-162-963-11	CERAMIC CHIP 680PF 10.00% 50V		
2104		A	CAPACITOR		C8608	1-124-778-00	ELECT CHIP 22UF 20.00% 6.3V		
2105		A	CAPACITOR		C8609	1-126-205-11	ELECT CHIP 47UF 20.00% 6.3V		
2106		A	CAPACITOR		C8610	1-126-395-11	ELECT CHIP 22UF 20.00% 16V		
2107		A	CAPACITOR		C8611	1-126-395-11	ELECT CHIP 22UF 20.00% 16V		
2108		A	CAPACITOR		C8612	1-107-826-11	CERAMIC CHIP 0.1UF 10.00% 16V		
2109		A	CAPACITOR		C8613	1-164-227-11	CERAMIC CHIP 0.022UF 10.00% 25V		
2110		A	CAPACITOR		C8614	1-164-227-11	CERAMIC CHIP 0.022UF 10.00% 25V		
2111		A	CAPACITOR		C8615	1-107-826-11	CERAMIC CHIP 0.1UF 10.00% 16V		
2112		A	CAPACITOR		C8616	1-107-826-11	CERAMIC CHIP 0.1UF 10.00% 16V		
2113		A	CAPACITOR		C8617	1-165-176-11	CERAMIC CHIP 0.047UF 10.00% 16V		
2114		A	CAPACITOR		C8618	1-165-176-11	CERAMIC CHIP 0.047UF 10.00% 16V		
2115		A	CAPACITOR		C8619	1-107-826-11	CERAMIC CHIP 0.1UF 10.00% 16V		
2116		A	CAPACITOR		C8620	1-127-715-91	CERAMIC CHIP 0.22UF 10% 16V		
2117		A	CAPACITOR		C8621	1-127-715-91	CERAMIC CHIP 0.22UF 10% 16V		

No.	#	Board	Type	Δ/∇ *	Ref. No.	Part No.	Description	Remarks-1	Remarks-2
2118		A	CAPACITOR		C8622	1-162-970-11	CERAMIC CHIP 0.01UF 10.00% 25V		
2119		A	CAPACITOR		C8623	1-126-603-11	ELECT CHIP 4.7UF 20.00% 35V		
2120		A	CAPACITOR		C8624	1-126-603-11	ELECT CHIP 4.7UF 20.00% 35V		
2121		A	CAPACITOR		C8625	1-127-715-91	CERAMIC CHIP 0.22UF 10% 16V		
2122		A	CAPACITOR		C8626	1-127-715-91	CERAMIC CHIP 0.22UF 10% 16V		
2123		A	CAPACITOR		C8627	1-128-394-11	ELECT CHIP 220UF 20% 10V		
2124		A	CAPACITOR		C8628	1-162-970-11	CERAMIC CHIP 0.01UF 10.00% 25V		
2125		A	CAPACITOR		C8629	1-107-826-11	CERAMIC CHIP 0.1UF 10.00% 16V		
2126		A	CAPACITOR		C8630	1-162-970-11	CERAMIC CHIP 0.01UF 10.00% 25V		
2127		A	CAPACITOR		C8631	1-162-970-11	CERAMIC CHIP 0.01UF 10.00% 25V		
2128		A	CAPACITOR		C8632	1-162-970-11	CERAMIC CHIP 0.01UF 10.00% 25V		
2129		A	CAPACITOR		C8633	1-164-227-11	CERAMIC CHIP 0.022UF 10.00% 25V		
2130		A	CAPACITOR		C8634	1-164-227-11	CERAMIC CHIP 0.022UF 10.00% 25V		
2131		A	CAPACITOR		C8635	1-162-970-11	CERAMIC CHIP 0.01UF 10.00% 25V		
2132		A	CAPACITOR		C8636	1-164-172-11	CERAMIC CHIP 0.0056UF 10.00% 25V		
2133		A	CAPACITOR		C8637	1-110-563-11	CERAMIC CHIP 0.068UF 10.00% 16V		
2134		A	CAPACITOR		C8638	1-117-681-11	ELECT CHIP 100UF 20.00% 16V		
2135		A	CAPACITOR		C8639	1-117-681-11	ELECT CHIP 100UF 20.00% 16V		
2136		A	CAPACITOR		C8640	1-125-891-11	CERAMIC CHIP 0.47UF 10.00% 10V		
2137		A	CAPACITOR		C8643	1-162-927-11	CERAMIC CHIP 100PF 5.00% 50V		
2138		A	CAPACITOR		C8644	1-162-963-11	CERAMIC CHIP 680PF 10.00% 50V		
2139		A	CAPACITOR		C8645	1-107-826-11	CERAMIC CHIP 0.1UF 10.00% 16V		
2140		A	CAPACITOR		C8646	1-126-204-11	ELECT CHIP 47UF 20.00% 16V		
2141		A	CAPACITOR		C8648	1-162-967-11	CERAMIC CHIP 0.0033UF 10.00% 50V		
2142		A	CAPACITOR		C8649	1-162-967-11	CERAMIC CHIP 0.0033UF 10.00% 50V		
2143		A	CAPACITOR		C8650	1-162-970-11	CERAMIC CHIP 0.01UF 10.00% 25V		
2144		A	CAPACITOR		C8661	1-126-193-11	ELECT CHIP 1UF 20.00% 50V		
2145		A	CAPACITOR		C8662	1-126-193-11	ELECT CHIP 1UF 20.00% 50V		
2146		A	CAPACITOR		C8666	1-124-779-00	ELECT CHIP 10UF 20.00% 16V		
2147		A	CAPACITOR		C8667	1-124-779-00	ELECT CHIP 10UF 20.00% 16V		
2148		A	CAPACITOR		C8668	1-126-193-11	ELECT CHIP 1UF 20.00% 50V		
2149		A	CAPACITOR		C8669	1-126-193-11	ELECT CHIP 1UF 20.00% 50V		
2150		A	CAPACITOR		C8670	1-127-715-91	CERAMIC CHIP 0.22UF 10% 16V		
2151		A	CAPACITOR		C8671	1-124-779-00	ELECT CHIP 10UF 20.00% 16V		
2152		A	CAPACITOR		C8672	1-216-295-91	SHORT CHIP 0		
2153		A	CAPACITOR		C8673	1-126-193-11	ELECT CHIP 1UF 20.00% 50V		
2154		A	CAPACITOR		C8674	1-127-573-11	CERAMIC CHIP 1UF 10% 16V		
2155		A	CAPACITOR		C8802	1-117-681-11	ELECT CHIP 100UF 20.00% 16V		
2156		A	CAPACITOR		C8803	1-127-715-91	CERAMIC CHIP 0.22UF 10% 16V		
2157		A	CAPACITOR		C8805	1-164-360-11	CERAMIC CHIP 0.1UF 16V		
2158		A	CAPACITOR		C8806	1-107-826-11	CERAMIC CHIP 0.1UF 10.00% 16V		
2159		A	CAPACITOR		C8807	1-117-681-11	ELECT CHIP 100UF 20.00% 16V		
2160		A	CAPACITOR		C8808	1-124-779-00	ELECT CHIP 10UF 20.00% 16V		
2161		A	CAPACITOR		C8809	1-124-779-00	ELECT CHIP 10UF 20.00% 16V		
2162		A	CAPACITOR		C8810	1-127-804-91	CERAMIC CHIP 100PF 1% 50V		
2163		A	CAPACITOR		C8811	1-164-230-11	CERAMIC CHIP 220PF 5.00% 50V		
2164		A	CAPACITOR		C8812	1-164-230-11	CERAMIC CHIP 220PF 5.00% 50V		
2165		A	CAPACITOR		C8813	1-127-573-11	CERAMIC CHIP 1UF 10% 16V		
2166		A	CAPACITOR		C8814	1-127-573-11	CERAMIC CHIP 1UF 10% 16V		
2167		A	CAPACITOR		C8815	1-127-715-91	CERAMIC CHIP 0.22UF 10% 16V		
2168		A	CAPACITOR		C8816	1-128-357-11	ELECT CHIP 10UF 20.00% 16V		
2169		A	CAPACITOR		C8817	1-128-357-11	ELECT CHIP 10UF 20.00% 16V		
2170		A	CAPACITOR		C8818	1-127-715-91	CERAMIC CHIP 0.22UF 10% 16V		
2171		A	CAPACITOR		C8819	1-117-681-11	ELECT CHIP 100UF 20.00% 16V		
2172		A	CAPACITOR		C8820	1-107-826-11	CERAMIC CHIP 0.1UF 10.00% 16V		
2173		A	CAPACITOR		C8821	1-127-804-91	CERAMIC CHIP 100PF 1% 50V		
2174		A	CAPACITOR		C8822	1-124-779-00	ELECT CHIP 10UF 20.00% 16V		
2175		A	CAPACITOR		C8823	1-107-826-11	CERAMIC CHIP 0.1UF 10.00% 16V		
2176		A	CAPACITOR		C8824	1-117-681-11	ELECT CHIP 100UF 20.00% 16V		
2177		A	CAPACITOR		C8826	1-117-681-11	ELECT CHIP 100UF 20.00% 16V		
2178		A	CAPACITOR		C8827	1-107-826-11	CERAMIC CHIP 0.1UF 10.00% 16V		
2179		A	CAPACITOR		C8828	1-128-934-91	CERAMIC CHIP 0.33UF 20% 10V		
2180		A	CAPACITOR		C8829	1-162-977-11	CERAMIC CHIP 0.0018UF 10.00% 50V		
2181		A	CAPACITOR		C8830	1-164-227-11	CERAMIC CHIP 0.022UF 10.00% 25V		
2182		A	CAPACITOR		C8831	1-162-967-11	CERAMIC CHIP 0.0033UF 10.00% 50V		
2183		A	CAPACITOR		C8832	1-164-227-11	CERAMIC CHIP 0.022UF 10.00% 25V		
2184		A	CAPACITOR		C8833	1-127-715-91	CERAMIC CHIP 0.22UF 10% 16V		
2185		A	CAPACITOR		C8834	1-162-970-11	CERAMIC CHIP 0.01UF 10.00% 25V		
2186		A	CAPACITOR		C8835	1-127-715-91	CERAMIC CHIP 0.22UF 10% 16V		
2187		A	CAPACITOR		C8836	1-128-934-91	CERAMIC CHIP 0.33UF 20% 10V		
2188		A	CAPACITOR		C8837	1-117-681-11	ELECT CHIP 100UF 20.00% 16V		
2189		A	CAPACITOR		C8838	1-162-968-11	CERAMIC CHIP 0.0047UF 10.00% 50V		
2190		A	CAPACITOR		C8839	1-127-715-91	CERAMIC CHIP 0.22UF 10% 16V		

No.	#	Board	Type	△/*	Ref. No.	Part No.	Description	Remarks-1	Remarks-2
2191		A	CAPACITOR		C8840	1-128-993-21	ELECT CHIP 22UF 20% 10V		
2192		A	CAPACITOR		C8841	1-107-823-11	CERAMIC CHIP 0.47UF 10.00% 16V		
2193		A	CAPACITOR		C8842	1-126-193-11	ELECT CHIP 1UF 20.00% 50V		
2194		A	CAPACITOR		C8843	1-107-826-11	CERAMIC CHIP 0.1UF 10.00% 16V		
2195		A	CAPACITOR		C8844	1-107-823-11	CERAMIC CHIP 0.47UF 10.00% 16V		
2196		A	CAPACITOR		C8845	1-126-193-11	ELECT CHIP 1UF 20.00% 50V		
2197		A	CAPACITOR		C8847	1-107-826-11	CERAMIC CHIP 0.1UF 10.00% 16V		
2198		A	CAPACITOR		C8849	1-127-715-91	CERAMIC CHIP 0.22UF 10% 16V		
2199		A	CAPACITOR		C8850	1-107-826-11	CERAMIC CHIP 0.1UF 10.00% 16V		
2200		A	CAPACITOR		C8854	1-127-715-91	CERAMIC CHIP 0.22UF 10% 16V		
2201		A	CAPACITOR		C8855	1-107-778-11	ELECT CHIP 470UF 20% 16V		
2202		A	CAPACITOR		C8856	1-162-968-11	CERAMIC CHIP 0.0047UF 10.00% 50V		
2203		A	CAPACITOR		C8857	1-162-970-11	CERAMIC CHIP 0.01UF 10.00% 25V		
2204		A	CAPACITOR		C8858	1-107-823-11	CERAMIC CHIP 0.47UF 10.00% 16V		
2205		A	CAPACITOR		C8859	1-126-603-11	ELECT CHIP 4.7UF 20.00% 35V		
2206		A	CAPACITOR		C8860	1-126-193-11	ELECT CHIP 1UF 20.00% 50V		
2207		A	CAPACITOR		C8861	1-162-968-11	CERAMIC CHIP 0.0047UF 10.00% 50V		
2208		A	CAPACITOR		C8862	1-107-823-11	CERAMIC CHIP 0.47UF 10.00% 16V		
2209		A	CAPACITOR		C8863	1-126-193-11	ELECT CHIP 1UF 20.00% 50V		
2210		A	CAPACITOR		C8864	1-126-193-11	ELECT CHIP 1UF 20.00% 50V		
2211		A	CAPACITOR		C8865	1-216-864-11	SHORT CHIP 0		
2212		A	CAPACITOR		C8866	1-216-864-11	SHORT CHIP 0		
2213		A	CAPACITOR		C8867	1-128-934-91	CERAMIC CHIP 0.33UF 20% 10V		
2214		A	CAPACITOR		C8868	1-162-977-11	CERAMIC CHIP 0.0018UF 10.00% 50V		
2215		A	CAPACITOR		C8869	1-164-227-11	CERAMIC CHIP 0.022UF 10.00% 25V		
2216		A	CAPACITOR		C8870	1-162-967-11	CERAMIC CHIP 0.0033UF 10.00% 50V		
2217		A	CAPACITOR		C8871	1-126-193-11	ELECT CHIP 1UF 20.00% 50V		
2218		A	CAPACITOR		C8872	1-126-193-11	ELECT CHIP 1UF 20.00% 50V		
2219		A	CAPACITOR		C8873	1-126-193-11	ELECT CHIP 1UF 20.00% 50V		
2220		A	CAPACITOR		C8874	1-126-193-11	ELECT CHIP 1UF 20.00% 50V		
2221		A	CAPACITOR		C8875	1-162-968-11	CERAMIC CHIP 0.0047UF 10.00% 50V		
2222		A	CAPACITOR		C8876	1-162-968-11	CERAMIC CHIP 0.0047UF 10.00% 50V		
2223		A	CAPACITOR		C8877	1-162-970-11	CERAMIC CHIP 0.01UF 10.00% 25V		
2224		A	CAPACITOR		C8878	1-127-715-91	CERAMIC CHIP 0.22UF 10% 16V		
2225		A	CAPACITOR		C8879	1-128-594-11	ELECT CHIP 1UF 20.00% 50V		
2226		A	CAPACITOR		C8880	1-128-594-11	ELECT CHIP 1UF 20.00% 50V		
2227		A	CAPACITOR		C8881	1-128-993-21	ELECT CHIP 22UF 20% 10V		
2228		A	CAPACITOR		C9301	1-115-339-11	CERAMIC CHIP 0.1UF 10.00% 50V		
2229		A	CAPACITOR		C9302	1-100-165-21	ELECT CHIP 47UF 20% 20V		
2230		A	CAPACITOR		C9303	1-100-390-21	ELECT CHIP 180UF 20% 6.3V		
2231		A	CAPACITOR		C9304	1-110-530-11	ELECT CHIP 1000UF 20% 6.3V		
2232		A	CAPACITOR		C9305	1-115-339-11	CERAMIC CHIP 0.1UF 10.00% 50V		
2233		A	CAPACITOR		C9306	1-115-339-11	CERAMIC CHIP 0.1UF 10.00% 50V		
2234		A	CAPACITOR		C9307	1-100-165-21	ELECT CHIP 47UF 20% 20V		
2235		A	CAPACITOR		C9308	1-100-390-21	ELECT CHIP 180UF 20% 6.3V		
2236		A	CAPACITOR		C9309	1-110-530-11	ELECT CHIP 1000UF 20% 6.3V		
2237		A	CAPACITOR		C9310	1-115-339-11	CERAMIC CHIP 0.1UF 10.00% 50V		
2238		A	CAPACITOR		C9311	1-115-339-11	CERAMIC CHIP 0.1UF 10.00% 50V		
2239		A	CAPACITOR		C9312	1-100-165-21	ELECT CHIP 47UF 20% 20V		
2240		A	CAPACITOR		C9313	1-165-670-21	ELECT CHIP 330UF 20% 6.3V		
2241		A	CAPACITOR		C9314	1-110-530-11	ELECT CHIP 1000UF 20% 6.3V		
2242		A	CAPACITOR		C9315	1-115-339-11	CERAMIC CHIP 0.1UF 10.00% 50V		
2243		A	CAPACITOR		C9316	1-125-988-21	ELECT CHIP 330UF 20% 25V		
2244		A	CAPACITOR		C9317	1-125-988-21	ELECT CHIP 330UF 20% 25V		
2245		A	CAPACITOR		C9318	1-125-988-21	ELECT CHIP 330UF 20% 25V		
2246		A	CAPACITOR		C9319	1-162-970-11	CERAMIC CHIP 0.01UF 10.00% 25V		
2247		A	CAPACITOR		C9320	1-162-970-11	CERAMIC CHIP 0.01UF 10.00% 25V		
2248		A	CAPACITOR		C9321	1-162-970-11	CERAMIC CHIP 0.01UF 10.00% 25V		
2249		A	CAPACITOR		C9322	1-127-861-11	CERAMIC CHIP 2.2UF 10% 16V		
2250		A	CAPACITOR		C9323	1-127-861-11	CERAMIC CHIP 2.2UF 10% 16V		
2251		A	CAPACITOR		C9324	1-127-861-11	CERAMIC CHIP 2.2UF 10% 16V		
2252		A	CAPACITOR		C9402	1-137-980-91	CERAMIC CHIP 0.47UF 10% 50V		
2253		A	CAPACITOR		C9403	1-137-980-91	CERAMIC CHIP 0.47UF 10% 50V		
2254		A	CAPACITOR		C9404	1-124-779-00	ELECT CHIP 10UF 20.00% 16V		
2255		A	CAPACITOR		C9405	1-124-779-00	ELECT CHIP 10UF 20.00% 16V		
2256		A	CAPACITOR		C9406	1-124-779-00	ELECT CHIP 10UF 20.00% 16V		
2257		A	CAPACITOR		C9407	1-124-779-00	ELECT CHIP 10UF 20.00% 16V		
2258		A	CAPACITOR		C9408	1-124-779-00	ELECT CHIP 10UF 20.00% 16V		
2259		A	CAPACITOR		C9409	1-124-779-00	ELECT CHIP 10UF 20.00% 16V		
2260		A	CAPACITOR		C9410	1-126-603-11	ELECT CHIP 4.7UF 20.00% 35V		
2261		A	CAPACITOR		C9411	1-126-603-11	ELECT CHIP 4.7UF 20.00% 35V		
2262		A	CAPACITOR		C9412	1-124-779-00	ELECT CHIP 10UF 20.00% 16V		
2263		A	CAPACITOR		C9413	1-124-779-00	ELECT CHIP 10UF 20.00% 16V		

No.	#	Board	Type	△/*	Ref. No.	Part No.	Description	Remarks-1	Remarks-2
2264		A	CAPACITOR		C9414	1-126-603-11	ELECT CHIP 4.7UF 20.00% 35V		
2265		A	CAPACITOR		C9415	1-126-603-11	ELECT CHIP 4.7UF 20.00% 35V		
2266		A	CAPACITOR		C9416	1-117-681-11	ELECT CHIP 100UF 20.00% 16V		
2267		A	CAPACITOR		C9417	1-107-826-11	CERAMIC CHIP 0.1UF 10.00% 16V		
2268		A	CAPACITOR		C9418	1-107-826-11	CERAMIC CHIP 0.1UF 10.00% 16V		
2269		A	CAPACITOR		C9419	1-107-826-11	CERAMIC CHIP 0.1UF 10.00% 16V		
2270		A	CAPACITOR		C9420	1-124-779-00	ELECT CHIP 10UF 20.00% 16V		
2271		A	CAPACITOR		C9421	1-125-837-91	CERAMIC CHIP 1UF 10% 6.3V		
2272		A	CAPACITOR		C9422	1-124-779-00	ELECT CHIP 10UF 20.00% 16V		
2273		A	CAPACITOR		C9423	1-117-681-11	ELECT CHIP 100UF 20.00% 16V		
2274		A	CAPACITOR		C9424	1-117-681-11	ELECT CHIP 100UF 20.00% 16V		
2275		A	CAPACITOR		C9425	1-107-826-11	CERAMIC CHIP 0.1UF 10.00% 16V		
2276		A	CAPACITOR		C9426	1-115-467-11	CERAMIC CHIP 0.22UF 10.00% 10V		
2277		A	CAPACITOR		C9427	1-124-779-00	ELECT CHIP 10UF 20.00% 16V		
2278		A	CAPACITOR		C9428	1-107-826-11	CERAMIC CHIP 0.1UF 10.00% 16V		
2279		A	CONNECTOR		CN8001	1-817-900-11	CONNECTOR, BOARD TO BOARD 100P		
2280		A	CONNECTOR	*	CN8400	1-785-530-11	PIN, CONNECTOR (PC BOARD) 10P		
2281		A	CONNECTOR		CN8401	1-817-904-11	CONNECTOR, BOARD TO BOARD 100P		
2282		A	CONNECTOR		CN8402	1-573-290-21	PIN, CONNECTOR (1.5MM) (SMD)4P		
2283		A	CONNECTOR	*	CN8403	1-691-591-11	PIN, CONNECTOR (1.5MM) (SMD)8P		
2284		A	CONNECTOR		CN9401	1-766-383-91	PIN, CONNECTOR 12P		
2285		A	CONNECTOR	*	CN9403	1-564-515-11	PLUG, CONNECTOR 12P		
2286		A	CONNECTOR	*	CN9404	1-564-511-11	PLUG, CONNECTOR 8P		
2287		A	CONNECTOR	*	CN9405	1-564-510-11	PLUG, CONNECTOR 7P		
2288		A	CONNECTOR		CN9406	1-766-382-21	PIN, CONNECTOR (1.5MM)(SMD)10P		
2289		A	CONNECTOR	*	CN9407	1-785-531-11	PIN, CONNECTOR (PC BOARD) 12P		
2290		A	LEAD PIN	*	CP8601	4-042-408-02	PIN(45), WIRE		
2291		A	LEAD PIN	*	CP9401	4-042-408-02	PIN(45), WIRE		
2292		A	LEAD PIN	*	CP9402	4-042-408-02	PIN(45), WIRE		
2293		A	DIODE		D8006	8-719-158-02	DIODE RD3.9SB2		
2294		A	DIODE		D8800	8-719-041-97	DIODE MA113-(TX)		
2295		A	DIODE		D8801	8-719-914-44	DIODE DAP202K		
2296		A	DIODE		D8802	8-719-041-97	DIODE MA113-(TX)		
2297		A	DIODE		D8803	8-719-404-50	DIODE MA111-TX		
2298		A	DIODE		D8806	8-719-914-44	DIODE DAP202K		
2299		A	DIODE		D8807	8-719-041-97	DIODE MA113-(TX)		
2300		A	DIODE		D8808	8-719-041-97	DIODE MA113-(TX)		
2301		A	DIODE		D8809	8-719-404-50	DIODE MA111-TX		
2302		A	DIODE		D8810	8-719-071-74	DIODE HZU11B1TRF		
2303		A	DIODE		D8811	8-719-050-37	DIODE M1MA152WA-T1		
2304		A	DIODE		D8812	8-719-050-38	DIODE M1MA152WK-T1		
2305		A	DIODE		D9301	8-719-036-94	DIODE RD5.6SB-T1		
2306		A	DIODE		D9302	8-719-081-97	DIODE MMDL914T1		
2307		A	DIODE		D9303	8-719-081-67	DIODE M1FM3		
2308		A	DIODE		D9304	6-500-021-01	DIODE MM3Z4V7ST1		
2309		A	DIODE		D9305	8-719-081-97	DIODE MMDL914T1		
2310		A	DIODE		D9306	8-719-081-67	DIODE M1FM3		
2311		A	DIODE		D9307	6-500-020-01	DIODE MM3Z4V3ST1		
2312		A	DIODE		D9308	8-719-081-97	DIODE MMDL914T1		
2313		A	DIODE		D9309	8-719-081-67	DIODE M1FM3		
2314		A	DIODE		D9310	8-719-081-97	DIODE MMDL914T1		
2315		A	DIODE		D9311	8-719-081-99	DIODE MM3Z13VT1		
2316		A	DIODE		D9400	8-719-977-28	DIODE DTZ10B		
2317		A	DIODE		D9401	8-719-977-28	DIODE DTZ10B		
2318		A	DIODE		D9402	8-719-977-28	DIODE DTZ10B		
2319		A	DIODE		D9403	8-719-977-28	DIODE DTZ10B		
2320		A	DIODE		D9407	8-719-977-28	DIODE DTZ10B		
2321		A	DIODE		D9408	8-719-977-28	DIODE DTZ10B		
2322		A	DIODE		D9409	8-719-977-28	DIODE DTZ10B		
2323		A	DIODE		D9410	8-719-977-28	DIODE DTZ10B		
2324		A	DIODE		D9411	8-719-977-28	DIODE DTZ10B		
2325		A	DIODE		D9412	8-719-977-28	DIODE DTZ10B		
2326		A	DIODE		D9413	8-719-977-28	DIODE DTZ10B		
2327		A	DIODE		D9414	8-719-977-28	DIODE DTZ10B		
2328		A	DIODE		D9415	8-719-977-28	DIODE DTZ10B		
2329		A	DIODE		D9416	8-719-977-28	DIODE DTZ10B		
2330		A	DIODE		D9417	8-719-977-28	DIODE DTZ10B		
2331		A	DIODE		D9418	8-719-977-28	DIODE DTZ10B		
2332		A	DIODE		D9419	8-719-977-28	DIODE DTZ10B		
2333		A	DIODE		D9420	8-719-977-28	DIODE DTZ10B		
2334		A	DIODE		D9421	8-719-081-97	DIODE MMDL914T1		
2335		A	DIODE		D9422	8-719-941-86	DIODE DAN202U		
2336		A	FERRITE BEAD		FB8000	1-216-295-91	SHORT CHIP 0		

No.	#	Board	Type	△/*	Ref. No.	Part No.	Description	Remarks-1	Remarks-2
2337		A	FERRITE BEAD		FB8001	1-216-295-91	SHORT CHIP 0		
2338		A	FERRITE BEAD		FB8002	1-216-295-91	SHORT CHIP 0		
2339		A	FERRITE BEAD		FB8003	1-414-233-22	FERRITE 0UH		
2340		A	FERRITE BEAD		FB8004	1-414-233-22	FERRITE 0UH		
2341		A	FERRITE BEAD		FB8005	1-216-295-91	SHORT CHIP 0		
2342		A	FERRITE BEAD		FB8006	1-216-295-91	SHORT CHIP 0		
2343		A	FERRITE BEAD		FB8007	1-216-295-91	SHORT CHIP 0		
2344		A	FERRITE BEAD		FB8008	1-216-295-91	SHORT CHIP 0		
2345		A	FERRITE BEAD		FB8009	1-414-233-22	FERRITE 0UH		
2346		A	FERRITE BEAD		FB8010	1-414-233-22	FERRITE 0UH		
2347		A	FERRITE BEAD		FB8011	1-216-295-91	SHORT CHIP 0		
2348		A	FERRITE BEAD		FB8200	1-216-295-91	SHORT CHIP 0		
2349		A	FERRITE BEAD		FB8400	1-216-295-91	SHORT CHIP 0		
2350		A	FERRITE BEAD		FB8501	1-414-233-22	FERRITE 0UH		
2351		A	FERRITE BEAD		FB8502	1-414-228-11	FERRITE 0UH		
2352		A	FERRITE BEAD		FB8503	1-414-233-22	FERRITE 0UH		
2353		A	FERRITE BEAD		FB8504	1-414-228-11	FERRITE 0UH		
2354		A	FERRITE BEAD		FB8601	1-414-228-11	FERRITE 0UH		
2355		A	FERRITE BEAD		FB9301	1-469-650-22	FERRITE 0UH		
2356		A	FERRITE BEAD		FB9302	1-469-650-22	FERRITE 0UH		
2357		A	FERRITE BEAD		FB9303	1-469-650-22	FERRITE 0UH		
2358		A	FERRITE BEAD		FB9401	1-216-295-91	SHORT CHIP 0		
2359		A	FILTER		FL8001	1-234-177-21	FERRITE 0UH		
2360		A	FILTER		FL8002	1-234-128-21	FERRITE 0UH		
2361		A	FILTER		FL8003	1-234-124-21	FERRITE 0UH		
2362		A	FILTER		FL8004	1-234-124-21	FERRITE 0UH		
2363		A	FILTER		FL8005	1-234-177-21	FERRITE 0UH		
2364		A	FILTER		FL8006	1-234-128-21	FERRITE 0UH		
2365		A	IC		IC8200	8-752-080-04	IC CXA2069Q		
2366		A	IC		IC8201	8-759-278-58	IC NJM4558V-TE2		
2367		A	IC		IC8400	8-752-108-36	IC CXA2171AQ-T6		
2368		A	IC		IC8402	8-759-548-56	IC M52055FP		
2369		A	IC		IC8501	6-704-643-01	IC R3112N221A-TR-FA		
2370		A	IC		IC8502	8-759-475-43	IC TC74LCX125FT(EL)		
2371		A	IC		IC8503	8-759-475-43	IC TC74LCX125FT(EL)		
2372		A	IC		IC8504	6-704-777-01	IC NJU26103FR1		
2373		A	IC		IC8506	6-702-527-01	IC AK5380VT-E2		
2374		A	IC		IC8507	8-759-643-25	IC AK4351VT		
2375		A	IC		IC8508	8-759-278-58	IC NJM4558V-TE2		
2376		A	IC		IC8510	8-759-278-58	IC NJM4558V-TE2		
2377		A	IC		IC8600	6-700-393-01	IC NJW1106FC2		
2378		A	IC		IC8601	8-759-578-49	IC NJM2370U10-TE2		
2379		A	IC		IC8800	8-759-278-58	IC NJM4558V-TE2		
2380		A	IC		IC8801	8-759-278-58	IC NJM4558V-TE2		
2381		A	IC		IC8802	8-759-278-58	IC NJM4558V-TE2		
2382		A	IC		IC8803	8-759-082-61	IC TC4W53FU		
2383		A	IC		IC8804	8-759-278-58	IC NJM4558V-TE2		
2384		A	IC		IC8805	6-702-716-01	IC NJW1149		
2385		A	IC		IC8806	8-759-278-58	IC NJM4558V-TE2		
2386		A	IC		IC9301	6-704-407-01	IC PQ1CZ41H2ZPH		
2387		A	IC		IC9302	6-704-407-01	IC PQ1CZ41H2ZPH		
2388		A	IC		IC9303	6-704-407-01	IC PQ1CZ41H2ZPH		
2389		A	IC		IC9400	8-752-080-04	IC CXA2069Q		
2390		A	JACK		J9401	1-565-790-21	JACK, SMALL TYPE 2P		
2391		A	JACK		J9402	1-780-062-11	S TERMINAL BLOCK		
2392		A	JACK		J9403	1-817-903-11	PIN JACK 3P		
2393		A	JACK		J9404	1-817-902-11	PIN JACK		
2394		A	JACK		J9406	1-817-902-11	PIN JACK		
2395		A	COIL		L8000	1-416-510-21	INDUCTOR 100UH		
2396		A	COIL		L8001	1-416-510-21	INDUCTOR 100UH		
2397		A	COIL		L8002	1-416-344-11	INDUCTOR 10UH		
2398		A	COIL		L8003	1-416-510-21	INDUCTOR 100UH		
2399		A	COIL		L8004	1-416-510-21	INDUCTOR 100UH		
2400		A	COIL		L8005	1-416-344-11	INDUCTOR 10UH		
2401		A	COIL		L8200	1-469-856-21	INDUCTOR 10UH		
2402		A	COIL		L8201	1-412-058-11	INDUCTOR 10UH		
2403		A	COIL		L8400	1-412-058-11	INDUCTOR 10UH		
2404		A	COIL		L8401	1-469-856-21	INDUCTOR 10UH		
2405		A	COIL		L8501	1-412-058-11	INDUCTOR 10UH		
2406		A	COIL		L8502	1-412-054-21	INDUCTOR 2.2UH		
2407		A	COIL		L8504	1-412-058-11	INDUCTOR 10UH		
2408		A	COIL		L8505	1-412-058-11	INDUCTOR 10UH		
2409		A	COIL		L8506	1-412-058-11	INDUCTOR 10UH		

No.	#	Board	Type	△/△*	Ref. No.	Part No.	Description	Remarks-1	Remarks-2
2410		A	COIL		L8507	1-412-058-11	INDUCTOR 10UH		
2411		A	COIL		L8508	1-412-058-11	INDUCTOR 10UH		
2412		A	COIL		L8509	1-412-058-11	INDUCTOR 10UH		
2413		A	COIL		L8510	1-412-058-11	INDUCTOR 10UH		
2414		A	COIL		L8600	1-469-555-21	INDUCTOR 10UH		
2415		A	COIL		L8800	1-412-058-11	INDUCTOR 10UH		
2416		A	COIL		L8801	1-412-058-11	INDUCTOR 10UH		
2417		A	COIL		L8802	1-412-058-11	INDUCTOR 10UH		
2418		A	COIL		L9301	1-412-525-31	INDUCTOR 10UH		
2419		A	COIL		L9302	1-400-175-21	INDUCTOR 47UH		
2420		A	COIL		L9303	1-412-525-31	INDUCTOR 10UH		
2421		A	COIL		L9304	1-412-525-31	INDUCTOR 10UH		
2422		A	COIL		L9305	1-400-175-21	INDUCTOR 47UH		
2423		A	COIL		L9306	1-412-525-31	INDUCTOR 10UH		
2424		A	COIL		L9307	1-412-525-31	INDUCTOR 10UH		
2425		A	COIL		L9308	1-400-175-21	INDUCTOR 47UH		
2426		A	COIL		L9309	1-412-525-31	INDUCTOR 10UH		
2427		A	COIL		L9401	1-469-856-21	INDUCTOR 10UH		
2428		A	COIL		L9402	1-412-026-11	INDUCTOR 1UH		
2429		A	COIL		L9403	1-412-026-11	INDUCTOR 1UH		
2430		A	IC LINK	△	PS8501	1-533-940-21	IC LINK 1.2A 50V		
2431		A	TRANSISTOR		Q8000	8-729-026-53	TRANSISTOR 2SA1576A-T106-QR		
2432		A	TRANSISTOR		Q8001	8-729-216-22	TRANSISTOR 2SA1162-G		
2433		A	TRANSISTOR		Q8002	8-729-422-29	TRANSISTOR 2SD601A-S		
2434		A	TRANSISTOR		Q8003	8-729-216-22	TRANSISTOR 2SA1162-G		
2435		A	TRANSISTOR		Q8004	8-729-422-29	TRANSISTOR 2SD601A-S		
2436		A	TRANSISTOR		Q8005	8-729-026-53	TRANSISTOR 2SA1576A-T106-QR		
2437		A	TRANSISTOR		Q8006	8-729-422-29	TRANSISTOR 2SD601A-S		
2438		A	TRANSISTOR		Q8200	8-729-905-35	TRANSISTOR 2SC4081-R		
2439		A	TRANSISTOR		Q8201	8-729-905-35	TRANSISTOR 2SC4081-R		
2440		A	TRANSISTOR		Q8202	8-729-905-35	TRANSISTOR 2SC4081-R		
2441		A	TRANSISTOR		Q8204	8-729-905-35	TRANSISTOR 2SC4081-R		
2442		A	TRANSISTOR		Q8205	8-729-905-35	TRANSISTOR 2SC4081-R		
2443		A	TRANSISTOR		Q8206	8-729-905-35	TRANSISTOR 2SC4081-R		
2444		A	TRANSISTOR		Q8209	8-729-026-53	TRANSISTOR 2SA1576A-T106-QR		
2445		A	TRANSISTOR		Q8210	8-729-026-53	TRANSISTOR 2SA1576A-T106-QR		
2446		A	TRANSISTOR		Q8406	8-729-026-53	TRANSISTOR 2SA1576A-T106-QR		
2447		A	TRANSISTOR		Q8407	8-729-905-35	TRANSISTOR 2SC4081-R		
2448		A	TRANSISTOR		Q8410	8-729-026-53	TRANSISTOR 2SA1576A-T106-QR		
2449		A	TRANSISTOR		Q8411	8-729-026-53	TRANSISTOR 2SA1576A-T106-QR		
2450		A	TRANSISTOR		Q8412	8-729-026-53	TRANSISTOR 2SA1576A-T106-QR		
2451		A	TRANSISTOR		Q8501	6-550-014-01	TRANSISTOR SSM6N15FU(TE85R)		
2452		A	TRANSISTOR		Q8502	8-729-422-33	TRANSISTOR 2SD601A-Q-TX		
2453		A	TRANSISTOR		Q8801	8-729-026-53	TRANSISTOR 2SA1576A-T106-QR		
2454		A	TRANSISTOR		Q8802	8-729-026-53	TRANSISTOR 2SA1576A-T106-QR		
2455		A	TRANSISTOR		Q8803	8-729-905-35	TRANSISTOR 2SC4081-R		
2456		A	TRANSISTOR		Q8804	8-729-905-35	TRANSISTOR 2SC4081-R		
2457		A	TRANSISTOR		Q8805	8-729-907-00	TRANSISTOR DTC114EU		
2458		A	TRANSISTOR		Q8806	8-729-422-33	TRANSISTOR 2SD601A-Q-TX		
2459		A	TRANSISTOR		Q8807	8-729-216-22	TRANSISTOR 2SA1162-G		
2460		A	TRANSISTOR		Q8808	8-729-216-22	TRANSISTOR 2SA1162-G		
2461		A	TRANSISTOR		Q8809	1-801-806-11	TR DTC144EKA		
2462		A	TRANSISTOR		Q8810	8-729-422-33	TRANSISTOR 2SD601A-Q-TX		
2463		A	TRANSISTOR		Q9301	8-729-905-35	TRANSISTOR 2SC4081-R		
2464		A	TRANSISTOR		Q9401	8-729-216-22	TRANSISTOR 2SA1162-G		
2465		A	TRANSISTOR		Q9402	8-729-905-35	TRANSISTOR 2SC4081-R		
2466		A	TRANSISTOR		Q9403	8-729-905-35	TRANSISTOR 2SC4081-R		
2467		A	TRANSISTOR		Q9404	8-729-905-35	TRANSISTOR 2SC4081-R		
2468		A	TRANSISTOR		Q9405	8-729-905-35	TRANSISTOR 2SC4081-R		
2469		A	TRANSISTOR		Q9406	8-729-026-53	TRANSISTOR 2SA1576A-T106-QR		
2470		A	TRANSISTOR		Q9407	8-729-422-33	TRANSISTOR 2SD601A-Q-TX		
2471		A	TRANSISTOR		Q9408	8-729-026-49	TRANSISTOR 2SA1037AK-T146-R		
2472		A	TRANSISTOR		Q9409	8-729-120-28	TRANSISTOR 2SC1623-L5L6		
2473		A	TRANSISTOR		Q9410	8-729-120-28	TRANSISTOR 2SC1623-L5L6		
2474		A	TRANSISTOR		Q9411	8-729-120-28	TRANSISTOR 2SC1623-L5L6		
2475		A	TRANSISTOR		Q9412	8-729-026-49	TRANSISTOR 2SA1037AK-T146-R		
2476		A	TRANSISTOR		Q9413	8-729-026-49	TRANSISTOR 2SA1037AK-T146-R		
2477		A	TRANSISTOR		Q9414	8-729-120-28	TRANSISTOR 2SC1623-L5L6		
2478		A	TRANSISTOR		Q9415	8-729-026-53	TRANSISTOR 2SA1576A-T106-QR		
2479		A	TRANSISTOR		Q9416	8-729-026-53	TRANSISTOR 2SA1576A-T106-QR		
2480		A	TRANSISTOR		Q9417	8-729-026-53	TRANSISTOR 2SA1576A-T106-QR		
2481		A	RESISTOR		R8000	1-216-825-11	METAL CHIP 2.2K 5% 1/10W		
2482		A	RESISTOR		R8001	1-216-805-11	METAL CHIP 47 5% 1/10W		

No.	#	Board	Type	Δ /*	Ref. No.	Part No.	Description	Remarks-1	Remarks-2
2483		A	RESISTOR		R8002	1-216-805-11	METAL CHIP 47 5% 1/10W		
2484		A	RESISTOR		R8004	1-216-864-11	SHORT CHIP 0		
2485		A	RESISTOR		R8005	1-216-839-11	METAL CHIP 33K 5% 1/10W		
2486		A	RESISTOR		R8006	1-216-837-11	METAL CHIP 22K 5% 1/10W		
2487		A	RESISTOR		R8007	1-216-847-11	METAL CHIP 150K 5% 1/10W		
2488		A	RESISTOR		R8008	1-216-829-11	METAL CHIP 4.7K 5% 1/10W		
2489		A	RESISTOR		R8009	1-216-833-11	METAL CHIP 10K 5% 1/10W		
2490		A	RESISTOR		R8010	1-216-825-11	METAL CHIP 2.2K 5% 1/10W		
2491		A	RESISTOR		R8014	1-216-864-11	SHORT CHIP 0		
2492		A	RESISTOR		R8016	1-216-833-11	METAL CHIP 10K 5% 1/10W		
2493		A	RESISTOR		R8017	1-216-864-11	SHORT CHIP 0		
2494		A	RESISTOR		R8018	1-216-857-11	METAL CHIP 1M 5% 1/10W		
2495		A	RESISTOR		R8019	1-216-847-11	METAL CHIP 150K 5% 1/10W		
2496		A	RESISTOR		R8020	1-216-825-11	METAL CHIP 2.2K 5% 1/10W		
2497		A	RESISTOR		R8022	1-216-825-11	METAL CHIP 2.2K 5% 1/10W		
2498		A	RESISTOR		R8024	1-216-805-11	METAL CHIP 47 5% 1/10W		
2499		A	RESISTOR		R8025	1-216-805-11	METAL CHIP 47 5% 1/10W		
2500		A	RESISTOR		R8026	1-216-833-11	METAL CHIP 10K 5% 1/10W		
2501		A	RESISTOR		R8028	1-216-864-11	SHORT CHIP 0		
2502		A	RESISTOR		R8029	1-216-827-11	METAL CHIP 3.3K 5% 1/10W		
2503		A	RESISTOR		R8030	1-216-829-11	METAL CHIP 4.7K 5% 1/10W		
2504		A	RESISTOR		R8031	1-216-833-11	METAL CHIP 10K 5% 1/10W		
2505		A	RESISTOR		R8032	1-216-847-11	METAL CHIP 150K 5% 1/10W		
2506		A	RESISTOR		R8033	1-216-837-11	METAL CHIP 22K 5% 1/10W		
2507		A	RESISTOR		R8034	1-216-833-11	METAL CHIP 10K 5% 1/10W		
2508		A	RESISTOR		R8035	1-216-839-11	METAL CHIP 33K 5% 1/10W		
2509		A	RESISTOR		R8036	1-216-813-11	METAL CHIP 220 5% 1/10W		
2510		A	RESISTOR		R8037	1-216-857-11	METAL CHIP 1M 5% 1/10W		
2511		A	RESISTOR		R8038	1-216-847-11	METAL CHIP 150K 5% 1/10W		
2512		A	RESISTOR		R8039	1-216-864-11	SHORT CHIP 0		
2513		A	RESISTOR		R8040	1-216-825-11	METAL CHIP 2.2K 5% 1/10W		
2514		A	RESISTOR		R8041	1-216-864-11	SHORT CHIP 0		
2515		A	RESISTOR		R8042	1-216-825-11	METAL CHIP 2.2K 5% 1/10W		
2516		A	RESISTOR		R8043	1-216-821-11	METAL CHIP 1K 5% 1/10W		
2517		A	RESISTOR		R8044	1-216-809-11	METAL CHIP 100 5% 1/10W		
2518		A	RESISTOR		R8045	1-216-833-11	METAL CHIP 10K 5% 1/10W		
2519		A	RESISTOR		R8046	1-216-833-11	METAL CHIP 10K 5% 1/10W		
2520		A	RESISTOR		R8047	1-216-864-11	SHORT CHIP 0		
2521		A	RESISTOR		R8048	1-216-833-11	METAL CHIP 10K 5% 1/10W		
2522		A	RESISTOR		R8049	1-216-809-11	METAL CHIP 100 5% 1/10W		
2523		A	RESISTOR		R8050	1-216-809-11	METAL CHIP 100 5% 1/10W		
2524		A	RESISTOR		R8067	1-216-864-11	SHORT CHIP 0		
2525		A	RESISTOR		R8068	1-216-864-11	SHORT CHIP 0		
2526		A	RESISTOR		R8069	1-216-864-11	SHORT CHIP 0		
2527		A	RESISTOR		R8070	1-216-864-11	SHORT CHIP 0		
2528		A	RESISTOR		R8075	1-216-809-11	METAL CHIP 100 5% 1/10W		
2529		A	RESISTOR		R8082	1-216-864-11	SHORT CHIP 0		
2530		A	RESISTOR		R8200	1-216-805-11	METAL CHIP 47 5% 1/10W		
2531		A	RESISTOR		R8201	1-216-821-11	METAL CHIP 1K 5% 1/10W		
2532		A	RESISTOR		R8202	1-216-805-11	METAL CHIP 47 5% 1/10W		
2533		A	RESISTOR		R8203	1-216-809-11	METAL CHIP 100 5% 1/10W		
2534		A	RESISTOR		R8204	1-216-821-11	METAL CHIP 1K 5% 1/10W		
2535		A	RESISTOR		R8205	1-216-809-11	METAL CHIP 100 5% 1/10W		
2536		A	RESISTOR		R8206	1-216-809-11	METAL CHIP 100 5% 1/10W		
2537		A	RESISTOR		R8207	1-216-809-11	METAL CHIP 100 5% 1/10W		
2538		A	RESISTOR		R8208	1-216-809-11	METAL CHIP 100 5% 1/10W		
2539		A	RESISTOR		R8209	1-216-830-11	METAL CHIP 5.6K 5% 1/10W		
2540		A	RESISTOR		R8210	1-216-830-11	METAL CHIP 5.6K 5% 1/10W		
2541		A	RESISTOR		R8211	1-216-825-11	METAL CHIP 2.2K 5% 1/10W		
2542		A	RESISTOR		R8212	1-216-825-11	METAL CHIP 2.2K 5% 1/10W		
2543		A	RESISTOR		R8214	1-216-805-11	METAL CHIP 47 5% 1/10W		
2544		A	RESISTOR		R8215	1-216-821-11	METAL CHIP 1K 5% 1/10W		
2545		A	RESISTOR		R8216	1-216-809-11	METAL CHIP 100 5% 1/10W		
2546		A	RESISTOR		R8217	1-216-809-11	METAL CHIP 100 5% 1/10W		
2547		A	RESISTOR		R8220	1-216-805-11	METAL CHIP 47 5% 1/10W		
2548		A	RESISTOR		R8221	1-216-821-11	METAL CHIP 1K 5% 1/10W		
2549		A	RESISTOR		R8223	1-216-830-11	METAL CHIP 5.6K 5% 1/10W		
2550		A	RESISTOR		R8224	1-216-809-11	METAL CHIP 100 5% 1/10W		
2551		A	RESISTOR		R8225	1-216-809-11	METAL CHIP 100 5% 1/10W		
2552		A	RESISTOR		R8228	1-216-830-11	METAL CHIP 5.6K 5% 1/10W		
2553		A	RESISTOR		R8230	1-216-809-11	METAL CHIP 100 5% 1/10W		
2554		A	RESISTOR		R8231	1-216-809-11	METAL CHIP 100 5% 1/10W		
2555		A	RESISTOR		R8232	1-216-830-11	METAL CHIP 5.6K 5% 1/10W		

No.	#	Board	Type	Δ/\ast	Ref. No.	Part No.	Description	Remarks-1	Remarks-2
2556		A	RESISTOR		R8233	1-216-809-11	METAL CHIP 100 5% 1/10W		
2557		A	RESISTOR		R8236	1-216-830-11	METAL CHIP 5.6K 5% 1/10W		
2558		A	RESISTOR		R8238	1-216-832-11	METAL CHIP 8.2K 5% 1/10W		
2559		A	RESISTOR		R8239	1-216-809-11	METAL CHIP 100 5% 1/10W		
2560		A	RESISTOR		R8240	1-216-809-11	METAL CHIP 100 5% 1/10W		
2561		A	RESISTOR		R8241	1-216-809-11	METAL CHIP 100 5% 1/10W		
2562		A	RESISTOR		R8242	1-216-832-11	METAL CHIP 8.2K 5% 1/10W		
2563		A	RESISTOR		R8243	1-216-830-11	METAL CHIP 5.6K 5% 1/10W		
2564		A	RESISTOR		R8244	1-216-830-11	METAL CHIP 5.6K 5% 1/10W		
2565		A	RESISTOR		R8245	1-216-809-11	METAL CHIP 100 5% 1/10W		
2566		A	RESISTOR		R8246	1-216-049-11	RES-CHIP 1K 5% 1/10W		
2567		A	RESISTOR		R8247	1-216-049-11	RES-CHIP 1K 5% 1/10W		
2568		A	RESISTOR		R8248	1-218-693-11	METAL CHIP 1.1K 0.5% 1/10W		
2569		A	RESISTOR		R8249	1-218-693-11	METAL CHIP 1.1K 0.5% 1/10W		
2570		A	RESISTOR		R8250	1-216-832-11	METAL CHIP 8.2K 5% 1/10W		
2571		A	RESISTOR		R8251	1-216-832-11	METAL CHIP 8.2K 5% 1/10W		
2572		A	RESISTOR		R8252	1-218-692-11	METAL CHIP 1K 0.5% 1/10W		
2573		A	RESISTOR		R8253	1-218-692-11	METAL CHIP 1K 0.5% 1/10W		
2574		A	RESISTOR		R8256	1-216-830-11	METAL CHIP 5.6K 5% 1/10W		
2575		A	RESISTOR		R8257	1-216-830-11	METAL CHIP 5.6K 5% 1/10W		
2576		A	RESISTOR		R8258	1-216-835-11	METAL CHIP 15K 5% 1/10W		
2577		A	RESISTOR		R8259	1-216-835-11	METAL CHIP 15K 5% 1/10W		
2578		A	RESISTOR		R8260	1-216-841-11	METAL CHIP 47K 5% 1/10W		
2579		A	RESISTOR		R8261	1-216-841-11	METAL CHIP 47K 5% 1/10W		
2580		A	RESISTOR		R8400	1-218-668-11	METAL CHIP 100 0.5% 1/10W		
2581		A	RESISTOR		R8401	1-218-668-11	METAL CHIP 100 0.5% 1/10W		
2582		A	RESISTOR		R8402	1-218-668-11	METAL CHIP 100 0.5% 1/10W		
2583		A	RESISTOR		R8410	1-216-809-11	METAL CHIP 100 5% 1/10W		
2584		A	RESISTOR		R8411	1-216-809-11	METAL CHIP 100 5% 1/10W		
2585		A	RESISTOR		R8412	1-216-809-11	METAL CHIP 100 5% 1/10W		
2586		A	RESISTOR		R8422	1-216-809-11	METAL CHIP 100 5% 1/10W		
2587		A	RESISTOR		R8423	1-216-809-11	METAL CHIP 100 5% 1/10W		
2588		A	RESISTOR		R8424	1-216-809-11	METAL CHIP 100 5% 1/10W		
2589		A	RESISTOR		R8425	1-216-809-11	METAL CHIP 100 5% 1/10W		
2590		A	RESISTOR		R8426	1-216-809-11	METAL CHIP 100 5% 1/10W		
2591		A	RESISTOR		R8427	1-216-809-11	METAL CHIP 100 5% 1/10W		
2592		A	RESISTOR		R8428	1-216-809-11	METAL CHIP 100 5% 1/10W		
2593		A	RESISTOR		R8429	1-218-285-11	METAL CHIP 75 5% 1/10W		
2594		A	RESISTOR		R8430	1-216-805-11	METAL CHIP 47 5% 1/10W		
2595		A	RESISTOR		R8431	1-216-809-11	METAL CHIP 100 5% 1/10W		
2596		A	RESISTOR		R8432	1-216-805-11	METAL CHIP 47 5% 1/10W		
2597		A	RESISTOR		R8433	1-216-833-11	METAL CHIP 10K 5% 1/10W		
2598		A	RESISTOR		R8434	1-216-809-11	METAL CHIP 100 5% 1/10W		
2599		A	RESISTOR		R8435	1-216-851-11	METAL CHIP 330K 5% 1/10W		
2600		A	RESISTOR		R8436	1-216-809-11	METAL CHIP 100 5% 1/10W		
2601		A	RESISTOR		R8437	1-216-833-11	METAL CHIP 10K 5% 1/10W		
2602		A	RESISTOR		R8439	1-218-285-11	METAL CHIP 75 5% 1/10W		
2603		A	RESISTOR		R8440	1-218-285-11	METAL CHIP 75 5% 1/10W		
2604		A	RESISTOR		R8441	1-216-821-11	METAL CHIP 1K 5% 1/10W		
2605		A	RESISTOR		R8442	1-218-716-11	METAL CHIP 10K 0.5% 1/10W		
2606		A	RESISTOR		R8443	1-216-797-11	METAL CHIP 10 5% 1/10W		
2607		A	RESISTOR		R8445	1-216-833-11	METAL CHIP 10K 5% 1/10W		
2608		A	RESISTOR		R8446	1-216-821-11	METAL CHIP 1K 5% 1/10W		
2609		A	RESISTOR		R8447	1-216-821-11	METAL CHIP 1K 5% 1/10W		
2610		A	RESISTOR		R8448	1-216-821-11	METAL CHIP 1K 5% 1/10W		
2611		A	RESISTOR		R8450	1-216-809-11	METAL CHIP 100 5% 1/10W		
2612		A	RESISTOR		R8451	1-216-809-11	METAL CHIP 100 5% 1/10W		
2613		A	RESISTOR		R8452	1-216-809-11	METAL CHIP 100 5% 1/10W		
2614		A	RESISTOR		R8454	1-216-823-11	METAL CHIP 1.5K 5% 1/10W		
2615		A	RESISTOR		R8455	1-216-823-11	METAL CHIP 1.5K 5% 1/10W		
2616		A	RESISTOR		R8456	1-216-041-00	RES-CHIP 470 5% 1/10W		
2617		A	RESISTOR		R8457	1-216-806-11	METAL CHIP 56 5% 1/10W		
2618		A	RESISTOR		R8458	1-216-806-11	METAL CHIP 56 5% 1/10W		
2619		A	RESISTOR		R8459	1-216-806-11	METAL CHIP 56 5% 1/10W		
2620		A	RESISTOR		R8460	1-216-864-11	SHORT CHIP 0		
2621		A	RESISTOR		R8461	1-218-665-11	METAL CHIP 75 0.5% 1/10W		
2622		A	RESISTOR		R8462	1-218-665-11	METAL CHIP 75 0.5% 1/10W		
2623		A	RESISTOR		R8463	1-218-665-11	METAL CHIP 75 0.5% 1/10W		
2624		A	RESISTOR		R8502	1-216-789-11	METAL CHIP 2.2 5% 1/10W		
2625		A	RESISTOR		R8503	1-216-864-11	SHORT CHIP 0		
2626		A	RESISTOR		R8504	1-216-803-11	METAL CHIP 33 5% 1/10W		
2627		A	RESISTOR		R8505	1-216-803-11	METAL CHIP 33 5% 1/10W		
2628		A	RESISTOR		R8506	1-216-803-11	METAL CHIP 33 5% 1/10W		

No.	#	Board	Type	△/*	Ref. No.	Part No.	Description	Remarks-1	Remarks-2
2629		A	RESISTOR		R8507	1-216-803-11	METAL CHIP 33 5% 1/10W		
2630		A	RESISTOR		R8512	1-216-809-11	METAL CHIP 100 5% 1/10W		
2631		A	RESISTOR		R8515	1-216-803-11	METAL CHIP 33 5% 1/10W		
2632		A	RESISTOR		R8517	1-216-803-11	METAL CHIP 33 5% 1/10W		
2633		A	RESISTOR		R8519	1-216-857-11	METAL CHIP 1M 5% 1/10W		
2634		A	RESISTOR		R8520	1-216-813-11	METAL CHIP 220 5% 1/10W		
2635		A	RESISTOR		R8523	1-216-803-11	METAL CHIP 33 5% 1/10W		
2636		A	RESISTOR		R8524	1-216-803-11	METAL CHIP 33 5% 1/10W		
2637		A	RESISTOR		R8527	1-216-809-11	METAL CHIP 100 5% 1/10W		
2638		A	RESISTOR		R8528	1-216-809-11	METAL CHIP 100 5% 1/10W		
2639		A	RESISTOR		R8535	1-216-864-11	SHORT CHIP 0		
2640		A	RESISTOR		R8536	1-218-867-11	METAL CHIP 6.8K 0.5% 1/10W		
2641		A	RESISTOR		R8537	1-216-864-11	SHORT CHIP 0		
2642		A	RESISTOR		R8538	1-216-041-00	RES-CHIP 470 5% 1/10W		
2643		A	RESISTOR		R8539	1-216-041-00	RES-CHIP 470 5% 1/10W		
2644		A	RESISTOR		R8540	1-216-041-00	RES-CHIP 470 5% 1/10W		
2645		A	RESISTOR		R8541	1-216-041-00	RES-CHIP 470 5% 1/10W		
2646		A	RESISTOR		R8543	1-216-830-11	METAL CHIP 5.6K 5% 1/10W		
2647		A	RESISTOR		R8544	1-216-841-11	METAL CHIP 47K 5% 1/10W		
2648		A	RESISTOR		R8545	1-216-829-11	METAL CHIP 4.7K 5% 1/10W		
2649		A	RESISTOR		R8546	1-216-809-11	METAL CHIP 100 5% 1/10W		
2650		A	RESISTOR		R8547	1-216-817-11	METAL CHIP 470 5% 1/10W		
2651		A	RESISTOR		R8548	1-216-803-11	METAL CHIP 33 5% 1/10W		
2652		A	RESISTOR		R8549	1-216-817-11	METAL CHIP 470 5% 1/10W		
2653		A	RESISTOR		R8550	1-216-817-11	METAL CHIP 470 5% 1/10W		
2654		A	RESISTOR		R8552	1-216-809-11	METAL CHIP 100 5% 1/10W		
2655		A	RESISTOR		R8553	1-216-803-11	METAL CHIP 33 5% 1/10W		
2656		A	RESISTOR		R8554	1-216-821-11	METAL CHIP 1K 5% 1/10W		
2657		A	RESISTOR		R8555	1-216-803-11	METAL CHIP 33 5% 1/10W		
2658		A	RESISTOR		R8556	1-218-867-11	METAL CHIP 6.8K 0.5% 1/10W		
2659		A	RESISTOR		R8557	1-216-841-11	METAL CHIP 47K 5% 1/10W		
2660		A	RESISTOR		R8558	1-216-829-11	METAL CHIP 4.7K 5% 1/10W		
2661		A	RESISTOR		R8559	1-216-803-11	METAL CHIP 33 5% 1/10W		
2662		A	RESISTOR		R8560	1-216-821-11	METAL CHIP 1K 5% 1/10W		
2663		A	RESISTOR		R8561	1-216-830-11	METAL CHIP 5.6K 5% 1/10W		
2664		A	RESISTOR		R8562	1-216-803-11	METAL CHIP 33 5% 1/10W		
2665		A	RESISTOR		R8563	1-216-803-11	METAL CHIP 33 5% 1/10W		
2666		A	RESISTOR		R8564	1-216-864-11	SHORT CHIP 0		
2667		A	RESISTOR		R8565	1-216-803-11	METAL CHIP 33 5% 1/10W		
2668		A	RESISTOR		R8567	1-216-827-11	METAL CHIP 3.3K 5% 1/10W		
2669		A	RESISTOR		R8569	1-216-835-11	METAL CHIP 15K 5% 1/10W		
2670		A	RESISTOR		R8570	1-216-833-11	METAL CHIP 10K 5% 1/10W		
2671		A	RESISTOR		R8571	1-216-827-11	METAL CHIP 3.3K 5% 1/10W		
2672		A	RESISTOR		R8572	1-216-827-11	METAL CHIP 3.3K 5% 1/10W		
2673		A	RESISTOR		R8573	1-216-835-11	METAL CHIP 15K 5% 1/10W		
2674		A	RESISTOR		R8574	1-216-833-11	METAL CHIP 10K 5% 1/10W		
2675		A	RESISTOR		R8575	1-216-827-11	METAL CHIP 3.3K 5% 1/10W		
2676		A	RESISTOR		R8578	1-216-864-11	SHORT CHIP 0		
2677		A	RESISTOR		R8579	1-216-864-11	SHORT CHIP 0		
2678		A	RESISTOR		R8580	1-216-864-11	SHORT CHIP 0		
2679		A	RESISTOR		R8581	1-216-829-11	METAL CHIP 4.7K 5% 1/10W		
2680		A	RESISTOR		R8582	1-216-833-11	METAL CHIP 10K 5% 1/10W		
2681		A	RESISTOR		R8583	1-216-828-11	METAL CHIP 3.9K 5% 1/10W		
2682		A	RESISTOR		R8584	1-216-830-11	METAL CHIP 5.6K 5% 1/10W		
2683		A	RESISTOR		R8585	1-216-821-11	METAL CHIP 1K 5% 1/10W		
2684		A	RESISTOR		R8600	1-218-752-11	METAL CHIP 330K 0.5% 1/10W		
2685		A	RESISTOR		R8601	1-218-720-11	METAL CHIP 15K 0.5% 1/10W		
2686		A	RESISTOR		R8602	1-218-720-11	METAL CHIP 15K 0.5% 1/10W		
2687		A	RESISTOR		R8603	1-216-861-11	METAL CHIP 2.2M 5% 1/10W		
2688		A	RESISTOR		R8604	1-216-845-11	METAL CHIP 100K 5% 1/10W		
2689		A	RESISTOR		R8605	1-216-861-11	METAL CHIP 2.2M 5% 1/10W		
2690		A	RESISTOR		R8606	1-218-712-11	METAL CHIP 6.8K 0.5% 1/10W		
2691		A	RESISTOR		R8607	1-218-732-11	METAL CHIP 47K 0.5% 1/10W		
2692		A	RESISTOR		R8608	1-218-712-11	METAL CHIP 6.8K 0.5% 1/10W		
2693		A	RESISTOR		R8609	1-218-732-11	METAL CHIP 47K 0.5% 1/10W		
2694		A	RESISTOR		R8610	1-216-837-11	METAL CHIP 22K 5% 1/10W		
2695		A	RESISTOR		R8611	1-216-837-11	METAL CHIP 22K 5% 1/10W		
2696		A	RESISTOR		R8612	1-216-809-11	METAL CHIP 100 5% 1/10W		
2697		A	RESISTOR		R8613	1-216-809-11	METAL CHIP 100 5% 1/10W		
2698		A	RESISTOR		R8615	1-216-841-11	METAL CHIP 47K 5% 1/10W		
2699		A	RESISTOR		R8616	1-218-740-11	METAL CHIP 100K 0.5% 1/10W		
2700		A	RESISTOR		R8617	1-216-809-11	METAL CHIP 100 5% 1/10W		
2701		A	RESISTOR		R8618	1-216-841-11	METAL CHIP 47K 5% 1/10W		

No.	#	Board	Type	△/*	Ref. No.	Part No.	Description	Remarks-1	Remarks-2
2702		A	RESISTOR		R8619	1-216-809-11	METAL CHIP 100 5% 1/10W		
2703		A	RESISTOR		R8620	1-216-833-11	METAL CHIP 10K 5% 1/10W		
2704		A	RESISTOR		R8621	1-216-835-11	METAL CHIP 15K 5% 1/10W		
2705		A	RESISTOR		R8622	1-216-857-11	METAL CHIP 1M 5% 1/10W		
2706		A	RESISTOR		R8625	1-216-864-11	SHORT CHIP 0		
2707		A	RESISTOR		R8626	1-216-864-11	SHORT CHIP 0		
2708		A	RESISTOR		R8627	1-216-833-11	METAL CHIP 10K 5% 1/10W		
2709		A	RESISTOR		R8628	1-216-851-11	METAL CHIP 330K 5% 1/10W		
2710		A	RESISTOR		R8629	1-216-837-11	METAL CHIP 22K 5% 1/10W		
2711		A	RESISTOR		R8630	1-216-835-11	METAL CHIP 15K 5% 1/10W		
2712		A	RESISTOR		R8631	1-216-864-11	SHORT CHIP 0		
2713		A	RESISTOR		R8632	1-216-835-11	METAL CHIP 15K 5% 1/10W		
2714		A	RESISTOR		R8633	1-218-867-11	METAL CHIP 6.8K 0.5% 1/10W		
2715		A	RESISTOR		R8634	1-216-833-11	METAL CHIP 10K 5% 1/10W		
2716		A	RESISTOR		R8635	1-216-835-11	METAL CHIP 15K 5% 1/10W		
2717		A	RESISTOR		R8636	1-218-867-11	METAL CHIP 6.8K 0.5% 1/10W		
2718		A	RESISTOR		R8682	1-216-825-11	METAL CHIP 2.2K 5% 1/10W		
2719		A	RESISTOR		R8683	1-216-825-11	METAL CHIP 2.2K 5% 1/10W		
2720		A	RESISTOR		R8684	1-218-867-11	METAL CHIP 6.8K 0.5% 1/10W		
2721		A	RESISTOR		R8685	1-218-867-11	METAL CHIP 6.8K 0.5% 1/10W		
2722		A	RESISTOR		R8691	1-216-864-11	SHORT CHIP 0		
2723		A	RESISTOR		R8801	1-216-832-11	METAL CHIP 8.2K 5% 1/10W		
2724		A	RESISTOR		R8802	1-216-832-11	METAL CHIP 8.2K 5% 1/10W		
2725		A	RESISTOR		R8803	1-216-836-11	METAL CHIP 18K 5% 1/10W		
2726		A	RESISTOR		R8804	1-216-837-11	METAL CHIP 22K 5% 1/10W		
2727		A	RESISTOR		R8805	1-216-837-11	METAL CHIP 22K 5% 1/10W		
2728		A	RESISTOR		R8806	1-216-838-11	METAL CHIP 27K 5% 1/10W		
2729		A	RESISTOR		R8807	1-216-825-11	METAL CHIP 2.2K 5% 1/10W		
2730		A	RESISTOR		R8808	1-216-825-11	METAL CHIP 2.2K 5% 1/10W		
2731		A	RESISTOR		R8809	1-216-037-00	RES-CHIP 330 5% 1/10W		
2732		A	RESISTOR		R8810	1-216-037-00	RES-CHIP 330 5% 1/10W		
2733		A	RESISTOR		R8811	1-216-837-11	METAL CHIP 22K 5% 1/10W		
2734		A	RESISTOR		R8812	1-216-857-11	METAL CHIP 1M 5% 1/10W		
2735		A	RESISTOR		R8813	1-216-815-11	METAL CHIP 330 5% 1/10W		
2736		A	RESISTOR		R8814	1-216-815-11	METAL CHIP 330 5% 1/10W		
2737		A	RESISTOR		R8815	1-216-864-11	SHORT CHIP 0		
2738		A	RESISTOR		R8816	1-216-829-11	METAL CHIP 4.7K 5% 1/10W		
2739		A	RESISTOR		R8817	1-216-853-11	METAL CHIP 470K 5% 1/10W		
2740		A	RESISTOR		R8818	1-216-853-11	METAL CHIP 470K 5% 1/10W		
2741		A	RESISTOR		R8819	1-216-841-11	METAL CHIP 47K 5% 1/10W		
2742		A	RESISTOR		R8820	1-216-833-11	METAL CHIP 10K 5% 1/10W		
2743		A	RESISTOR		R8821	1-216-833-11	METAL CHIP 10K 5% 1/10W		
2744		A	RESISTOR		R8822	1-216-821-11	METAL CHIP 1K 5% 1/10W		
2745		A	RESISTOR		R8823	1-216-821-11	METAL CHIP 1K 5% 1/10W		
2746		A	RESISTOR		R8824	1-216-833-11	METAL CHIP 10K 5% 1/10W		
2747		A	RESISTOR		R8825	1-216-809-11	METAL CHIP 100 5% 1/10W		
2748		A	RESISTOR		R8826	1-216-844-11	METAL CHIP 82K 5% 1/10W		
2749		A	RESISTOR		R8827	1-216-844-11	METAL CHIP 82K 5% 1/10W		
2750		A	RESISTOR		R8828	1-216-809-11	METAL CHIP 100 5% 1/10W		
2751		A	RESISTOR		R8829	1-216-841-11	METAL CHIP 47K 5% 1/10W		
2752		A	RESISTOR		R8830	1-216-829-11	METAL CHIP 4.7K 5% 1/10W		
2753		A	RESISTOR		R8831	1-216-829-11	METAL CHIP 4.7K 5% 1/10W		
2754		A	RESISTOR		R8832	1-216-864-11	SHORT CHIP 0		
2755		A	RESISTOR		R8833	1-216-864-11	SHORT CHIP 0		
2756		A	RESISTOR		R8836	1-216-833-11	METAL CHIP 10K 5% 1/10W		
2757		A	RESISTOR		R8837	1-216-833-11	METAL CHIP 10K 5% 1/10W		
2758		A	RESISTOR		R8838	1-216-829-11	METAL CHIP 4.7K 5% 1/10W		
2759		A	RESISTOR		R8839	1-216-833-11	METAL CHIP 10K 5% 1/10W		
2760		A	RESISTOR		R8840	1-216-845-11	METAL CHIP 100K 5% 1/10W		
2761		A	RESISTOR		R8841	1-216-827-11	METAL CHIP 3.3K 5% 1/10W		
2762		A	RESISTOR		R8842	1-216-815-11	METAL CHIP 330 5% 1/10W		
2763		A	RESISTOR		R8843	1-216-825-11	METAL CHIP 2.2K 5% 1/10W		
2764		A	RESISTOR		R8845	1-216-837-11	METAL CHIP 22K 5% 1/10W		
2765		A	RESISTOR		R8846	1-216-857-11	METAL CHIP 1M 5% 1/10W		
2766		A	RESISTOR		R8848	1-216-838-11	METAL CHIP 27K 5% 1/10W		
2767		A	RESISTOR		R8849	1-216-836-11	METAL CHIP 18K 5% 1/10W		
2768		A	RESISTOR		R8850	1-216-864-11	SHORT CHIP 0		
2769		A	RESISTOR		R8851	1-216-841-11	METAL CHIP 47K 5% 1/10W		
2770		A	RESISTOR		R8852	1-218-292-11	METAL CHIP 20K 5% 1/10W		
2771		A	RESISTOR		R8853	1-216-832-11	METAL CHIP 8.2K 5% 1/10W		
2772		A	RESISTOR		R8854	1-218-867-11	METAL CHIP 6.8K 0.5% 1/10W		
2773		A	RESISTOR		R8855	1-216-830-11	METAL CHIP 5.6K 5% 1/10W		
2774		A	RESISTOR		R8856	1-216-828-11	METAL CHIP 3.9K 5% 1/10W		

No.	#	Board	Type	△/*	Ref. No.	Part No.	Description	Remarks-1	Remarks-2
2775		A	RESISTOR		R8857	1-218-292-11	METAL CHIP 20K 5% 1/10W		
2776		A	RESISTOR		R8858	1-216-821-11	METAL CHIP 1K 5% 1/10W		
2777		A	RESISTOR		R8859	1-216-809-11	METAL CHIP 100 5% 1/10W		
2778		A	RESISTOR		R8860	1-216-809-11	METAL CHIP 100 5% 1/10W		
2779		A	RESISTOR		R8861	1-216-675-91	METAL CHIP 10K 0.5% 1/10W		
2780		A	RESISTOR		R8862	1-216-675-91	METAL CHIP 10K 0.5% 1/10W		
2781		A	RESISTOR		R8863	1-218-292-11	METAL CHIP 20K 5% 1/10W		
2782		A	RESISTOR		R8864	1-216-683-11	METAL CHIP 22K 0.5% 1/10W		
2783		A	RESISTOR		R8865	1-216-683-11	METAL CHIP 22K 0.5% 1/10W		
2784		A	RESISTOR		R8866	1-218-292-11	METAL CHIP 20K 5% 1/10W		
2785		A	RESISTOR		R8869	1-216-832-11	METAL CHIP 8.2K 5% 1/10W		
2786		A	RESISTOR		R8870	1-218-867-11	METAL CHIP 6.8K 0.5% 1/10W		
2787		A	RESISTOR		R8872	1-216-825-11	METAL CHIP 2.2K 5% 1/10W		
2788		A	RESISTOR		R8873	1-216-822-11	METAL CHIP 1.2K 5% 1/10W		
2789		A	RESISTOR		R8874	1-216-837-11	METAL CHIP 22K 5% 1/10W		
2790		A	RESISTOR		R9301	1-216-833-11	METAL CHIP 10K 5% 1/10W		
2791		A	RESISTOR		R9302	1-218-696-11	METAL CHIP 1.5K 0.5% 1/10W		
2792		A	RESISTOR		R9303	1-218-676-11	METAL CHIP 220 0.5% 1/10W		
2793		A	RESISTOR		R9304	1-218-692-11	METAL CHIP 1K 0.5% 1/10W		
2794		A	RESISTOR		R9305	1-216-821-11	METAL CHIP 1K 5% 1/10W		
2795		A	RESISTOR		R9306	1-216-833-11	METAL CHIP 10K 5% 1/10W		
2796		A	RESISTOR		R9307	1-218-690-11	METAL CHIP 820 0.5% 1/10W		
2797		A	RESISTOR		R9308	1-249-377-11	CARBON 0.47 5% 1/4W		
2798		A	RESISTOR		R9309	1-218-676-11	METAL CHIP 220 0.5% 1/10W		
2799		A	RESISTOR		R9310	1-218-692-11	METAL CHIP 1K 0.5% 1/10W		
2800		A	RESISTOR		R9311	1-216-821-11	METAL CHIP 1K 5% 1/10W		
2801		A	RESISTOR		R9312	1-216-833-11	METAL CHIP 10K 5% 1/10W		
2802		A	RESISTOR		R9313	1-218-684-11	METAL CHIP 470 0.5% 1/10W		
2803		A	RESISTOR		R9314	1-218-658-11	METAL CHIP 39 0.5% 1/10W		
2804		A	RESISTOR		R9315	1-218-692-11	METAL CHIP 1K 0.5% 1/10W		
2805		A	RESISTOR		R9316	1-216-821-11	METAL CHIP 1K 5% 1/10W		
2806		A	RESISTOR		R9317	1-216-827-11	METAL CHIP 3.3K 5% 1/10W		
2807		A	RESISTOR		R9318	1-216-833-11	METAL CHIP 10K 5% 1/10W		
2808		A	RESISTOR		R9319	1-218-696-11	METAL CHIP 1.5K 0.5% 1/10W		
2809		A	RESISTOR		R9320	1-218-696-11	METAL CHIP 1.5K 0.5% 1/10W		
2810		A	RESISTOR		R9321	1-218-696-11	METAL CHIP 1.5K 0.5% 1/10W		
2811		A	RESISTOR		R9322	1-218-696-11	METAL CHIP 1.5K 0.5% 1/10W		
2812		A	RESISTOR		R9401	1-216-864-11	SHORT CHIP 0		
2813		A	RESISTOR		R9402	1-216-849-11	METAL CHIP 220K 5% 1/10W		
2814		A	RESISTOR		R9403	1-216-849-11	METAL CHIP 220K 5% 1/10W		
2815		A	RESISTOR		R9404	1-216-811-11	METAL CHIP 150 5% 1/10W		
2816		A	RESISTOR		R9405	1-216-811-11	METAL CHIP 150 5% 1/10W		
2817		A	RESISTOR		R9406	1-216-811-11	METAL CHIP 150 5% 1/10W		
2818		A	RESISTOR		R9407	1-216-849-11	METAL CHIP 220K 5% 1/10W		
2819		A	RESISTOR		R9408	1-216-849-11	METAL CHIP 220K 5% 1/10W		
2820		A	RESISTOR		R9409	1-216-811-11	METAL CHIP 150 5% 1/10W		
2821		A	RESISTOR		R9410	1-216-811-11	METAL CHIP 150 5% 1/10W		
2822		A	RESISTOR		R9411	1-216-811-11	METAL CHIP 150 5% 1/10W		
2823		A	RESISTOR		R9412	1-216-849-11	METAL CHIP 220K 5% 1/10W		
2824		A	RESISTOR		R9413	1-216-849-11	METAL CHIP 220K 5% 1/10W		
2825		A	RESISTOR		R9414	1-216-811-11	METAL CHIP 150 5% 1/10W		
2826		A	RESISTOR		R9415	1-216-811-11	METAL CHIP 150 5% 1/10W		
2827		A	RESISTOR		R9416	1-216-811-11	METAL CHIP 150 5% 1/10W		
2828		A	RESISTOR		R9417	1-216-849-11	METAL CHIP 220K 5% 1/10W		
2829		A	RESISTOR		R9418	1-216-849-11	METAL CHIP 220K 5% 1/10W		
2830		A	RESISTOR		R9419	1-216-811-11	METAL CHIP 150 5% 1/10W		
2831		A	RESISTOR		R9420	1-216-811-11	METAL CHIP 150 5% 1/10W		
2832		A	RESISTOR		R9421	1-216-811-11	METAL CHIP 150 5% 1/10W		
2833		A	RESISTOR		R9422	1-216-811-11	METAL CHIP 150 5% 1/10W		
2834		A	RESISTOR		R9423	1-216-811-11	METAL CHIP 150 5% 1/10W		
2835		A	RESISTOR		R9424	1-216-811-11	METAL CHIP 150 5% 1/10W		
2836		A	RESISTOR		R9425	1-216-811-11	METAL CHIP 150 5% 1/10W		
2837		A	RESISTOR		R9426	1-216-811-11	METAL CHIP 150 5% 1/10W		
2838		A	RESISTOR		R9427	1-216-811-11	METAL CHIP 150 5% 1/10W		
2839		A	RESISTOR		R9428	1-216-811-11	METAL CHIP 150 5% 1/10W		
2840		A	RESISTOR		R9429	1-216-811-11	METAL CHIP 150 5% 1/10W		
2841		A	RESISTOR		R9430	1-216-811-11	METAL CHIP 150 5% 1/10W		
2842		A	RESISTOR		R9431	1-216-811-11	METAL CHIP 150 5% 1/10W		
2843		A	RESISTOR		R9432	1-216-811-11	METAL CHIP 150 5% 1/10W		
2844		A	RESISTOR		R9433	1-216-811-11	METAL CHIP 150 5% 1/10W		
2845		A	RESISTOR		R9434	1-216-864-11	SHORT CHIP 0		
2846		A	RESISTOR		R9435	1-216-864-11	SHORT CHIP 0		
2847		A	RESISTOR		R9436	1-216-821-11	METAL CHIP 1K 5% 1/10W		

No.	#	Board	Type	Δ/\ast	Ref. No.	Part No.	Description	Remarks-1	Remarks-2
2848		A	RESISTOR		R9438	1-216-830-11	METAL CHIP 5.6K 5% 1/10W		
2849		A	RESISTOR		R9439	1-216-830-11	METAL CHIP 5.6K 5% 1/10W		
2850		A	RESISTOR		R9440	1-216-830-11	METAL CHIP 5.6K 5% 1/10W		
2851		A	RESISTOR		R9441	1-216-830-11	METAL CHIP 5.6K 5% 1/10W		
2852		A	RESISTOR		R9442	1-216-864-11	SHORT CHIP 0		
2853		A	RESISTOR		R9443	1-216-821-11	METAL CHIP 1K 5% 1/10W		
2854		A	RESISTOR		R9445	1-216-845-11	METAL CHIP 100K 5% 1/10W		
2855		A	RESISTOR		R9446	1-216-830-11	METAL CHIP 5.6K 5% 1/10W		
2856		A	RESISTOR		R9447	1-216-813-11	METAL CHIP 220 5% 1/10W		
2857		A	RESISTOR		R9448	1-216-813-11	METAL CHIP 220 5% 1/10W		
2858		A	RESISTOR		R9449	1-216-813-11	METAL CHIP 220 5% 1/10W		
2859		A	RESISTOR		R9450	1-216-830-11	METAL CHIP 5.6K 5% 1/10W		
2860		A	RESISTOR		R9451	1-216-830-11	METAL CHIP 5.6K 5% 1/10W		
2861		A	RESISTOR		R9452	1-216-813-11	METAL CHIP 220 5% 1/10W		
2862		A	RESISTOR		R9453	1-216-830-11	METAL CHIP 5.6K 5% 1/10W		
2863		A	RESISTOR		R9454	1-216-813-11	METAL CHIP 220 5% 1/10W		
2864		A	RESISTOR		R9455	1-216-813-11	METAL CHIP 220 5% 1/10W		
2865		A	RESISTOR		R9456	1-216-809-11	METAL CHIP 100 5% 1/10W		
2866		A	RESISTOR		R9457	1-216-809-11	METAL CHIP 100 5% 1/10W		
2867		A	RESISTOR		R9458	1-216-809-11	METAL CHIP 100 5% 1/10W		
2868		A	RESISTOR		R9459	1-216-809-11	METAL CHIP 100 5% 1/10W		
2869		A	RESISTOR		R9460	1-216-809-11	METAL CHIP 100 5% 1/10W		
2870		A	RESISTOR		R9461	1-216-809-11	METAL CHIP 100 5% 1/10W		
2871		A	RESISTOR		R9462	1-216-809-11	METAL CHIP 100 5% 1/10W		
2872		A	RESISTOR		R9463	1-216-809-11	METAL CHIP 100 5% 1/10W		
2873		A	RESISTOR		R9464	1-216-809-11	METAL CHIP 100 5% 1/10W		
2874		A	RESISTOR		R9465	1-216-809-11	METAL CHIP 100 5% 1/10W		
2875		A	RESISTOR		R9466	1-216-841-11	METAL CHIP 47K 5% 1/10W		
2876		A	RESISTOR		R9467	1-216-841-11	METAL CHIP 47K 5% 1/10W		
2877		A	RESISTOR		R9468	1-216-833-11	METAL CHIP 10K 5% 1/10W		
2878		A	RESISTOR		R9471	1-216-833-11	METAL CHIP 10K 5% 1/10W		
2879		A	RESISTOR		R9472	1-216-845-11	METAL CHIP 100K 5% 1/10W		
2880		A	RESISTOR		R9475	1-216-825-11	METAL CHIP 2.2K 5% 1/10W		
2881		A	RESISTOR		R9476	1-216-825-11	METAL CHIP 2.2K 5% 1/10W		
2882		A	RESISTOR		R9477	1-216-825-11	METAL CHIP 2.2K 5% 1/10W		
2883		A	RESISTOR		R9478	1-216-825-11	METAL CHIP 2.2K 5% 1/10W		
2884		A	RESISTOR		R9479	1-218-694-11	METAL CHIP 1.2K 0.5% 1/10W		
2885		A	RESISTOR		R9480	1-218-694-11	METAL CHIP 1.2K 0.5% 1/10W		
2886		A	RESISTOR		R9481	1-218-694-11	METAL CHIP 1.2K 0.5% 1/10W		
2887		A	RESISTOR		R9482	1-218-694-11	METAL CHIP 1.2K 0.5% 1/10W		
2888		A	RESISTOR		R9483	1-216-830-11	METAL CHIP 5.6K 5% 1/10W		
2889		A	RESISTOR		R9484	1-216-830-11	METAL CHIP 5.6K 5% 1/10W		
2890		A	RESISTOR		R9485	1-216-813-11	METAL CHIP 220 5% 1/10W		
2891		A	RESISTOR		R9486	1-216-813-11	METAL CHIP 220 5% 1/10W		
2892		A	RESISTOR		R9487	1-216-813-11	METAL CHIP 220 5% 1/10W		
2893		A	RESISTOR		R9489	1-216-821-11	METAL CHIP 1K 5% 1/10W		
2894		A	RESISTOR		R9490	1-216-825-11	METAL CHIP 2.2K 5% 1/10W		
2895		A	RESISTOR		R9491	1-216-841-11	METAL CHIP 47K 5% 1/10W		
2896		A	RESISTOR		R9492	1-216-845-11	METAL CHIP 100K 5% 1/10W		
2897		A	RESISTOR		R9493	1-216-845-11	METAL CHIP 100K 5% 1/10W		
2898		A	RESISTOR		R9494	1-216-845-11	METAL CHIP 100K 5% 1/10W		
2899		A	RESISTOR		R9495	1-216-833-11	METAL CHIP 10K 5% 1/10W		
2900		A	RESISTOR		R9496	1-216-841-11	METAL CHIP 47K 5% 1/10W		
2901		A	RESISTOR		R9497	1-216-849-11	METAL CHIP 220K 5% 1/10W		
2902		A	RESISTOR		R9498	1-216-809-11	METAL CHIP 100 5% 1/10W		
2903		A	RESISTOR		R9499	1-216-845-11	METAL CHIP 100K 5% 1/10W		
2904		A	TUNER		TU8000	8-598-594-30	TUNER, FSS BTF-FA421		
2905		A	TUNER		TU8001	8-598-593-50	TUNER, FSS BTF-WA421		
2906		A	VARISTOR		VD9400	1-803-974-21	VARISTOR, CHIP (1608)		
2907		A	VARISTOR		VD9401	1-803-974-21	VARISTOR, CHIP (1608)		
2908		A	VARISTOR		VD9402	1-803-974-21	VARISTOR, CHIP (1608)		
2909		A	VARISTOR		VD9403	1-803-974-21	VARISTOR, CHIP (1608)		
2910		A	VARISTOR		VD9404	1-803-974-21	VARISTOR, CHIP (1608)		
2911		A	VARISTOR		VD9405	1-803-974-21	VARISTOR, CHIP (1608)		
2912		A	VARISTOR		VD9406	1-803-974-21	VARISTOR, CHIP (1608)		
2913		A	VARISTOR		VD9407	1-803-974-21	VARISTOR, CHIP (1608)		
2914		A	VARISTOR		VD9408	1-803-974-21	VARISTOR, CHIP (1608)		
2915		A	VARISTOR		VD9409	1-803-974-21	VARISTOR, CHIP (1608)		
2916		A	VARISTOR		VD9410	1-803-974-21	VARISTOR, CHIP (1608)		
2917		A	VARISTOR		VD9411	1-803-974-21	VARISTOR, CHIP (1608)		
2918		A	VARISTOR		VD9412	1-803-974-21	VARISTOR, CHIP (1608)		
2919		A	VARISTOR		VD9413	1-803-974-21	VARISTOR, CHIP (1608)		
2920		A	VARISTOR		VD9414	1-803-974-21	VARISTOR, CHIP (1608)		

No.	#	Board	Type	△/*	Ref. No.	Part No.	Description	Remarks-1	Remarks-2
2921		A	CRYSTAL		X8400	1-795-214-21	VIBRATOR, CERAMIC (4MHZ)		
2922		A	CRYSTAL		X8501	1-813-094-11	VIBRATOR, CRYSTAL		
2923		A	CRYSTAL		X8601	1-781-646-21	VIBRATOR, CERAMIC		
2924		DIC2	CAPACITOR		C1000	1-125-777-11	CERAMIC CHIP 0.1UF 10.00% 10V		
2925		DIC2	CAPACITOR		C1001	1-127-715-91	CERAMIC CHIP 0.22UF 10% 16V		
2926		DIC2	CAPACITOR		C1002	1-127-715-91	CERAMIC CHIP 0.22UF 10% 16V		
2927		DIC2	CAPACITOR		C1003	1-125-777-11	CERAMIC CHIP 0.1UF 10.00% 10V		
2928		DIC2	CAPACITOR		C1004	1-127-715-91	CERAMIC CHIP 0.22UF 10% 16V		
2929		DIC2	CAPACITOR		C1005	1-127-715-91	CERAMIC CHIP 0.22UF 10% 16V		
2930		DIC2	CAPACITOR		C1006	1-127-715-91	CERAMIC CHIP 0.22UF 10% 16V		
2931		DIC2	CAPACITOR		C1009	1-107-826-11	CERAMIC CHIP 0.1UF 10.00% 16V		
2932		DIC2	CAPACITOR		C1010	1-125-777-11	CERAMIC CHIP 0.1UF 10.00% 10V		
2933		DIC2	CAPACITOR		C1011	1-117-681-11	ELECT CHIP 100UF 20.00% 16V		
2934		DIC2	CAPACITOR		C1012	1-126-206-11	ELECT CHIP 100UF 20.00% 6.3V		
2935		DIC2	CAPACITOR		C1013	1-126-206-11	ELECT CHIP 100UF 20.00% 6.3V		
2936		DIC2	CAPACITOR		C1014	1-126-206-11	ELECT CHIP 100UF 20.00% 6.3V		
2937		DIC2	CAPACITOR		C1015	1-126-206-11	ELECT CHIP 100UF 20.00% 6.3V		
2938		DIC2	CAPACITOR		C1016	1-125-777-11	CERAMIC CHIP 0.1UF 10.00% 10V		
2939		DIC2	CAPACITOR		C1017	1-125-777-11	CERAMIC CHIP 0.1UF 10.00% 10V		
2940		DIC2	CAPACITOR		C1018	1-125-777-11	CERAMIC CHIP 0.1UF 10.00% 10V		
2941		DIC2	CAPACITOR		C1019	1-164-941-11	CERAMIC CHIP 0.0047UF 10.00% 16V		
2942		DIC2	CAPACITOR		C1020	1-107-826-11	CERAMIC CHIP 0.1UF 10.00% 16V		
2943		DIC2	CAPACITOR		C1021	1-117-681-11	ELECT CHIP 100UF 20.00% 16V		
2944		DIC2	CAPACITOR		C1029	1-125-777-11	CERAMIC CHIP 0.1UF 10.00% 10V		
2945		DIC2	CAPACITOR		C1030	1-125-777-11	CERAMIC CHIP 0.1UF 10.00% 10V		
2946		DIC2	CAPACITOR		C1031	1-164-941-11	CERAMIC CHIP 0.0047UF 10.00% 16V		
2947		DIC2	CAPACITOR		C1032	1-125-777-11	CERAMIC CHIP 0.1UF 10.00% 10V		
2948		DIC2	CAPACITOR		C1033	1-125-777-11	CERAMIC CHIP 0.1UF 10.00% 10V		
2949		DIC2	CAPACITOR		C1034	1-125-777-11	CERAMIC CHIP 0.1UF 10.00% 10V		
2950		DIC2	CAPACITOR		C1038	1-137-710-11	CERAMIC CHIP 10UF 20% 6.3V		
2951		DIC2	CAPACITOR		C1040	1-125-777-11	CERAMIC CHIP 0.1UF 10.00% 10V		
2952		DIC2	CAPACITOR		C1041	1-125-837-91	CERAMIC CHIP 1UF 10% 6.3V		
2953		DIC2	CAPACITOR		C1042	1-125-777-11	CERAMIC CHIP 0.1UF 10.00% 10V		
2954		DIC2	CAPACITOR		C1043	1-164-943-11	CERAMIC CHIP 0.01UF 10.00% 16V		
2955		DIC2	CAPACITOR		C1045	1-137-710-11	CERAMIC CHIP 10UF 20% 6.3V		
2956		DIC2	CAPACITOR		C1047	1-164-937-11	CERAMIC CHIP 0.001UF 10.00% 50V		
2957		DIC2	CAPACITOR		C1049	1-125-777-11	CERAMIC CHIP 0.1UF 10.00% 10V		
2958		DIC2	CAPACITOR		C1051	1-137-710-11	CERAMIC CHIP 10UF 20% 6.3V		
2959		DIC2	CAPACITOR		C1053	1-125-777-11	CERAMIC CHIP 0.1UF 10.00% 10V		
2960		DIC2	CAPACITOR		C1055	1-164-937-11	CERAMIC CHIP 0.001UF 10.00% 50V		
2961		DIC2	CAPACITOR		C1057	1-164-943-11	CERAMIC CHIP 0.01UF 10.00% 16V		
2962		DIC2	CAPACITOR		C1063	1-125-777-11	CERAMIC CHIP 0.1UF 10.00% 10V		
2963		DIC2	CAPACITOR		C1200	1-164-943-11	CERAMIC CHIP 0.01UF 10.00% 16V		
2964		DIC2	CAPACITOR		C1201	1-126-204-11	ELECT CHIP 47UF 20.00% 16V		
2965		DIC2	CAPACITOR		C1202	1-126-206-11	ELECT CHIP 100UF 20.00% 6.3V		
2966		DIC2	CAPACITOR		C1203	1-107-826-11	CERAMIC CHIP 0.1UF 10.00% 16V		
2967		DIC2	CAPACITOR		C1204	1-164-943-11	CERAMIC CHIP 0.01UF 10.00% 16V		
2968		DIC2	CAPACITOR		C1205	1-137-710-11	CERAMIC CHIP 10UF 20% 6.3V		
2969		DIC2	CAPACITOR		C1206	1-107-826-11	CERAMIC CHIP 0.1UF 10.00% 16V		
2970		DIC2	CAPACITOR		C1207	1-107-826-11	CERAMIC CHIP 0.1UF 10.00% 16V		
2971		DIC2	CAPACITOR		C1208	1-107-826-11	CERAMIC CHIP 0.1UF 10.00% 16V		
2972		DIC2	CAPACITOR		C1209	1-128-357-11	ELECT CHIP 10UF 20.00% 16V		
2973		DIC2	CAPACITOR		C1210	1-126-204-11	ELECT CHIP 47UF 20.00% 16V		
2974		DIC2	CAPACITOR		C1211	1-126-204-11	ELECT CHIP 47UF 20.00% 16V		
2975		DIC2	CAPACITOR		C1212	1-126-204-11	ELECT CHIP 47UF 20.00% 16V		
2976		DIC2	CAPACITOR		C1213	1-126-206-11	ELECT CHIP 100UF 20.00% 6.3V		
2977		DIC2	CAPACITOR		C1214	1-125-777-11	CERAMIC CHIP 0.1UF 10.00% 10V		
2978		DIC2	CAPACITOR		C1215	1-126-206-11	ELECT CHIP 100UF 20.00% 6.3V		
2979		DIC2	CAPACITOR		C1216	1-126-206-11	ELECT CHIP 100UF 20.00% 6.3V		
2980		DIC2	CAPACITOR		C1217	1-125-777-11	CERAMIC CHIP 0.1UF 10.00% 10V		
2981		DIC2	CAPACITOR		C1218	1-125-777-11	CERAMIC CHIP 0.1UF 10.00% 10V		
2982		DIC2	CAPACITOR		C1219	1-125-777-11	CERAMIC CHIP 0.1UF 10.00% 10V		
2983		DIC2	CAPACITOR		C1220	1-125-777-11	CERAMIC CHIP 0.1UF 10.00% 10V		
2984		DIC2	CAPACITOR		C1221	1-164-943-11	CERAMIC CHIP 0.01UF 10.00% 16V		
2985		DIC2	CAPACITOR		C1222	1-125-777-11	CERAMIC CHIP 0.1UF 10.00% 10V		
2986		DIC2	CAPACITOR		C1223	1-125-777-11	CERAMIC CHIP 0.1UF 10.00% 10V		
2987		DIC2	CAPACITOR		C1224	1-125-777-11	CERAMIC CHIP 0.1UF 10.00% 10V		
2988		DIC2	CAPACITOR		C1226	1-125-777-11	CERAMIC CHIP 0.1UF 10.00% 10V		
2989		DIC2	CAPACITOR		C1227	1-125-777-11	CERAMIC CHIP 0.1UF 10.00% 10V		
2990		DIC2	CAPACITOR		C1228	1-125-777-11	CERAMIC CHIP 0.1UF 10.00% 10V		
2991		DIC2	CAPACITOR		C1229	1-137-710-11	CERAMIC CHIP 10UF 20% 6.3V		
2992		DIC2	CAPACITOR		C1230	1-125-777-11	CERAMIC CHIP 0.1UF 10.00% 10V		
2993		DIC2	CAPACITOR		C1231	1-125-777-11	CERAMIC CHIP 0.1UF 10.00% 10V		

No.	#	Board	Type	Δ / [*]	Ref. No.	Part No.	Description	Remarks-1	Remarks-2
2994		DIC2	CAPACITOR		C1232	1-125-777-11	CERAMIC CHIP 0.1UF 10.00% 10V		
2995		DIC2	CAPACITOR		C1233	1-125-777-11	CERAMIC CHIP 0.1UF 10.00% 10V		
2996		DIC2	CAPACITOR		C1234	1-137-710-11	CERAMIC CHIP 10UF 20% 6.3V		
2997		DIC2	CAPACITOR		C1235	1-125-777-11	CERAMIC CHIP 0.1UF 10.00% 10V		
2998		DIC2	CAPACITOR		C1236	1-125-777-11	CERAMIC CHIP 0.1UF 10.00% 10V		
2999		DIC2	CAPACITOR		C1237	1-137-710-11	CERAMIC CHIP 10UF 20% 6.3V		
3000		DIC2	CAPACITOR		C1238	1-125-777-11	CERAMIC CHIP 0.1UF 10.00% 10V		
3001		DIC2	CAPACITOR		C1239	1-164-943-11	CERAMIC CHIP 0.01UF 10.00% 16V		
3002		DIC2	CAPACITOR		C1240	1-125-777-11	CERAMIC CHIP 0.1UF 10.00% 10V		
3003		DIC2	CAPACITOR		C1241	1-164-943-11	CERAMIC CHIP 0.01UF 10.00% 16V		
3004		DIC2	CAPACITOR		C1242	1-125-777-11	CERAMIC CHIP 0.1UF 10.00% 10V		
3005		DIC2	CAPACITOR		C1243	1-125-777-11	CERAMIC CHIP 0.1UF 10.00% 10V		
3006		DIC2	CAPACITOR		C1244	1-125-777-11	CERAMIC CHIP 0.1UF 10.00% 10V		
3007		DIC2	CAPACITOR		C1245	1-125-777-11	CERAMIC CHIP 0.1UF 10.00% 10V		
3008		DIC2	CAPACITOR		C1246	1-164-943-11	CERAMIC CHIP 0.01UF 10.00% 16V		
3009		DIC2	CAPACITOR		C1247	1-125-777-11	CERAMIC CHIP 0.1UF 10.00% 10V		
3010		DIC2	CAPACITOR		C1248	1-125-777-11	CERAMIC CHIP 0.1UF 10.00% 10V		
3011		DIC2	CAPACITOR		C1249	1-125-777-11	CERAMIC CHIP 0.1UF 10.00% 10V		
3012		DIC2	CAPACITOR		C1250	1-164-943-11	CERAMIC CHIP 0.01UF 10.00% 16V		
3013		DIC2	CAPACITOR		C1251	1-125-777-11	CERAMIC CHIP 0.1UF 10.00% 10V		
3014		DIC2	CAPACITOR		C1252	1-125-777-11	CERAMIC CHIP 0.1UF 10.00% 10V		
3015		DIC2	CAPACITOR		C1253	1-125-777-11	CERAMIC CHIP 0.1UF 10.00% 10V		
3016		DIC2	CAPACITOR		C1254	1-125-777-11	CERAMIC CHIP 0.1UF 10.00% 10V		
3017		DIC2	CAPACITOR		C1255	1-125-777-11	CERAMIC CHIP 0.1UF 10.00% 10V		
3018		DIC2	CAPACITOR		C1256	1-126-206-11	ELECT CHIP 100UF 20.00% 6.3V		
3019		DIC2	CAPACITOR		C1257	1-125-777-11	CERAMIC CHIP 0.1UF 10.00% 10V		
3020		DIC2	CAPACITOR		C1258	1-164-943-11	CERAMIC CHIP 0.01UF 10.00% 16V		
3021		DIC2	CAPACITOR		C1259	1-164-943-11	CERAMIC CHIP 0.01UF 10.00% 16V		
3022		DIC2	CAPACITOR		C1260	1-125-777-11	CERAMIC CHIP 0.1UF 10.00% 10V		
3023		DIC2	CAPACITOR		C1261	1-125-777-11	CERAMIC CHIP 0.1UF 10.00% 10V		
3024		DIC2	CAPACITOR		C1262	1-125-777-11	CERAMIC CHIP 0.1UF 10.00% 10V		
3025		DIC2	CAPACITOR		C1263	1-125-777-11	CERAMIC CHIP 0.1UF 10.00% 10V		
3026		DIC2	CAPACITOR		C1264	1-125-777-11	CERAMIC CHIP 0.1UF 10.00% 10V		
3027		DIC2	CAPACITOR		C1265	1-125-777-11	CERAMIC CHIP 0.1UF 10.00% 10V		
3028		DIC2	CAPACITOR		C1266	1-125-777-11	CERAMIC CHIP 0.1UF 10.00% 10V		
3029		DIC2	CAPACITOR		C1267	1-125-777-11	CERAMIC CHIP 0.1UF 10.00% 10V		
3030		DIC2	CAPACITOR		C1268	1-125-777-11	CERAMIC CHIP 0.1UF 10.00% 10V		
3031		DIC2	CAPACITOR		C1269	1-125-777-11	CERAMIC CHIP 0.1UF 10.00% 10V		
3032		DIC2	CAPACITOR		C1270	1-125-777-11	CERAMIC CHIP 0.1UF 10.00% 10V		
3033		DIC2	CAPACITOR		C1271	1-125-777-11	CERAMIC CHIP 0.1UF 10.00% 10V		
3034		DIC2	CAPACITOR		C1272	1-125-777-11	CERAMIC CHIP 0.1UF 10.00% 10V		
3035		DIC2	CAPACITOR		C1273	1-125-777-11	CERAMIC CHIP 0.1UF 10.00% 10V		
3036		DIC2	CAPACITOR		C1400	1-126-204-11	ELECT CHIP 47UF 20.00% 16V		
3037		DIC2	CAPACITOR		C1401	1-107-826-11	CERAMIC CHIP 0.1UF 10.00% 16V		
3038		DIC2	CAPACITOR		C1403	1-107-826-11	CERAMIC CHIP 0.1UF 10.00% 16V		
3039		DIC2	CAPACITOR		C1405	1-128-357-11	ELECT CHIP 10UF 20.00% 16V		
3040		DIC2	CAPACITOR		C1406	1-126-204-11	ELECT CHIP 47UF 20.00% 16V		
3041		DIC2	CAPACITOR		C1407	1-126-204-11	ELECT CHIP 47UF 20.00% 16V		
3042		DIC2	CAPACITOR		C1408	1-126-204-11	ELECT CHIP 47UF 20.00% 16V		
3043		DIC2	CAPACITOR		C1409	1-126-206-11	ELECT CHIP 100UF 20.00% 6.3V		
3044		DIC2	CAPACITOR		C1410	1-125-777-11	CERAMIC CHIP 0.1UF 10.00% 10V		
3045		DIC2	CAPACITOR		C1411	1-126-206-11	ELECT CHIP 100UF 20.00% 6.3V		
3046		DIC2	CAPACITOR		C1412	1-126-206-11	ELECT CHIP 100UF 20.00% 6.3V		
3047		DIC2	CAPACITOR		C1413	1-125-777-11	CERAMIC CHIP 0.1UF 10.00% 10V		
3048		DIC2	CAPACITOR		C1414	1-125-777-11	CERAMIC CHIP 0.1UF 10.00% 10V		
3049		DIC2	CAPACITOR		C1415	1-125-777-11	CERAMIC CHIP 0.1UF 10.00% 10V		
3050		DIC2	CAPACITOR		C1416	1-125-777-11	CERAMIC CHIP 0.1UF 10.00% 10V		
3051		DIC2	CAPACITOR		C1417	1-164-943-11	CERAMIC CHIP 0.01UF 10.00% 16V		
3052		DIC2	CAPACITOR		C1418	1-125-777-11	CERAMIC CHIP 0.1UF 10.00% 10V		
3053		DIC2	CAPACITOR		C1419	1-125-777-11	CERAMIC CHIP 0.1UF 10.00% 10V		
3054		DIC2	CAPACITOR		C1420	1-125-777-11	CERAMIC CHIP 0.1UF 10.00% 10V		
3055		DIC2	CAPACITOR		C1421	1-125-777-11	CERAMIC CHIP 0.1UF 10.00% 10V		
3056		DIC2	CAPACITOR		C1422	1-125-777-11	CERAMIC CHIP 0.1UF 10.00% 10V		
3057		DIC2	CAPACITOR		C1423	1-125-777-11	CERAMIC CHIP 0.1UF 10.00% 10V		
3058		DIC2	CAPACITOR		C1424	1-125-777-11	CERAMIC CHIP 0.1UF 10.00% 10V		
3059		DIC2	CAPACITOR		C1425	1-125-777-11	CERAMIC CHIP 0.1UF 10.00% 10V		
3060		DIC2	CAPACITOR		C1426	1-125-777-11	CERAMIC CHIP 0.1UF 10.00% 10V		
3061		DIC2	CAPACITOR		C1427	1-137-710-11	CERAMIC CHIP 10UF 20% 6.3V		
3062		DIC2	CAPACITOR		C1428	1-125-777-11	CERAMIC CHIP 0.1UF 10.00% 10V		
3063		DIC2	CAPACITOR		C1429	1-125-777-11	CERAMIC CHIP 0.1UF 10.00% 10V		
3064		DIC2	CAPACITOR		C1430	1-137-710-11	CERAMIC CHIP 10UF 20% 6.3V		
3065		DIC2	CAPACITOR		C1431	1-125-777-11	CERAMIC CHIP 0.1UF 10.00% 10V		
3066		DIC2	CAPACITOR		C1432	1-125-777-11	CERAMIC CHIP 0.1UF 10.00% 10V		

No.	#	Board	Type	△/*	Ref. No.	Part No.	Description	Remarks-1	Remarks-2
3067		DIC2	CAPACITOR		C1433	1-125-777-11	CERAMIC CHIP 0.1UF 10.00% 10V		
3068		DIC2	CAPACITOR		C1434	1-125-777-11	CERAMIC CHIP 0.1UF 10.00% 10V		
3069		DIC2	CAPACITOR		C1435	1-125-777-11	CERAMIC CHIP 0.1UF 10.00% 10V		
3070		DIC2	CAPACITOR		C1436	1-125-777-11	CERAMIC CHIP 0.1UF 10.00% 10V		
3071		DIC2	CAPACITOR		C1437	1-125-777-11	CERAMIC CHIP 0.1UF 10.00% 10V		
3072		DIC2	CAPACITOR		C1438	1-125-777-11	CERAMIC CHIP 0.1UF 10.00% 10V		
3073		DIC2	CAPACITOR		C1439	1-125-777-11	CERAMIC CHIP 0.1UF 10.00% 10V		
3074		DIC2	CAPACITOR		C1440	1-125-777-11	CERAMIC CHIP 0.1UF 10.00% 10V		
3075		DIC2	CAPACITOR		C1441	1-125-777-11	CERAMIC CHIP 0.1UF 10.00% 10V		
3076		DIC2	CAPACITOR		C1442	1-125-777-11	CERAMIC CHIP 0.1UF 10.00% 10V		
3077		DIC2	CAPACITOR		C1443	1-125-777-11	CERAMIC CHIP 0.1UF 10.00% 10V		
3078		DIC2	CAPACITOR		C1444	1-125-777-11	CERAMIC CHIP 0.1UF 10.00% 10V		
3079		DIC2	CAPACITOR		C1445	1-125-777-11	CERAMIC CHIP 0.1UF 10.00% 10V		
3080		DIC2	CAPACITOR		C1446	1-125-777-11	CERAMIC CHIP 0.1UF 10.00% 10V		
3081		DIC2	CAPACITOR		C1447	1-125-777-11	CERAMIC CHIP 0.1UF 10.00% 10V		
3082		DIC2	CAPACITOR		C1448	1-125-777-11	CERAMIC CHIP 0.1UF 10.00% 10V		
3083		DIC2	CAPACITOR		C1449	1-125-777-11	CERAMIC CHIP 0.1UF 10.00% 10V		
3084		DIC2	CAPACITOR		C1450	1-125-777-11	CERAMIC CHIP 0.1UF 10.00% 10V		
3085		DIC2	CAPACITOR		C1451	1-125-777-11	CERAMIC CHIP 0.1UF 10.00% 10V		
3086		DIC2	CAPACITOR		C1452	1-125-777-11	CERAMIC CHIP 0.1UF 10.00% 10V		
3087		DIC2	CAPACITOR		C1453	1-125-777-11	CERAMIC CHIP 0.1UF 10.00% 10V		
3088		DIC2	CAPACITOR		C1454	1-125-777-11	CERAMIC CHIP 0.1UF 10.00% 10V		
3089		DIC2	CAPACITOR		C1455	1-125-777-11	CERAMIC CHIP 0.1UF 10.00% 10V		
3090		DIC2	CAPACITOR		C1456	1-125-777-11	CERAMIC CHIP 0.1UF 10.00% 10V		
3091		DIC2	CAPACITOR		C1457	1-125-777-11	CERAMIC CHIP 0.1UF 10.00% 10V		
3092		DIC2	CAPACITOR		C1458	1-125-777-11	CERAMIC CHIP 0.1UF 10.00% 10V		
3093		DIC2	CAPACITOR		C1459	1-125-777-11	CERAMIC CHIP 0.1UF 10.00% 10V		
3094		DIC2	CAPACITOR		C1600	1-126-206-11	ELECT CHIP 100UF 20.00% 6.3V		
3095		DIC2	CAPACITOR		C1601	1-164-943-11	CERAMIC CHIP 0.01UF 10.00% 16V		
3096		DIC2	CAPACITOR		C1604	1-164-943-11	CERAMIC CHIP 0.01UF 10.00% 16V		
3097		DIC2	CAPACITOR		C1605	1-126-603-11	ELECT CHIP 4.7UF 20.00% 35V		
3098		DIC2	CAPACITOR		C1606	1-125-777-11	CERAMIC CHIP 0.1UF 10.00% 10V		
3099		DIC2	CAPACITOR		C1608	1-164-943-11	CERAMIC CHIP 0.01UF 10.00% 16V		
3100		DIC2	CAPACITOR		C1609	1-164-943-11	CERAMIC CHIP 0.01UF 10.00% 16V		
3101		DIC2	CAPACITOR		C1610	1-126-206-11	ELECT CHIP 100UF 20.00% 6.3V		
3102		DIC2	CAPACITOR		C1612	1-164-943-11	CERAMIC CHIP 0.01UF 10.00% 16V		
3103		DIC2	CAPACITOR		C1613	1-127-715-91	CERAMIC CHIP 0.22UF 10% 16V		
3104		DIC2	CAPACITOR		C1614	1-126-205-11	ELECT CHIP 47UF 20.00% 6.3V		
3105		DIC2	CAPACITOR		C1615	1-126-246-11	ELECT CHIP 220UF 20.00% 4V		
3106		DIC2	CAPACITOR		C1616	1-164-943-11	CERAMIC CHIP 0.01UF 10.00% 16V		
3107		DIC2	CAPACITOR		C1617	1-125-777-11	CERAMIC CHIP 0.1UF 10.00% 10V		
3108		DIC2	CAPACITOR		C1618	1-125-777-11	CERAMIC CHIP 0.1UF 10.00% 10V		
3109		DIC2	CAPACITOR		C1619	1-125-777-11	CERAMIC CHIP 0.1UF 10.00% 10V		
3110		DIC2	CAPACITOR		C1620	1-125-777-11	CERAMIC CHIP 0.1UF 10.00% 10V		
3111		DIC2	CAPACITOR		C1621	1-125-777-11	CERAMIC CHIP 0.1UF 10.00% 10V		
3112		DIC2	CAPACITOR		C1622	1-125-777-11	CERAMIC CHIP 0.1UF 10.00% 10V		
3113		DIC2	CAPACITOR		C1623	1-125-777-11	CERAMIC CHIP 0.1UF 10.00% 10V		
3114		DIC2	CAPACITOR		C1624	1-125-777-11	CERAMIC CHIP 0.1UF 10.00% 10V		
3115		DIC2	CAPACITOR		C1625	1-125-777-11	CERAMIC CHIP 0.1UF 10.00% 10V		
3116		DIC2	CAPACITOR		C1626	1-125-777-11	CERAMIC CHIP 0.1UF 10.00% 10V		
3117		DIC2	CAPACITOR		C1627	1-125-777-11	CERAMIC CHIP 0.1UF 10.00% 10V		
3118		DIC2	CAPACITOR		C1628	1-164-943-11	CERAMIC CHIP 0.01UF 10.00% 16V		
3119		DIC2	CAPACITOR		C1629	1-125-777-11	CERAMIC CHIP 0.1UF 10.00% 10V		
3120		DIC2	CAPACITOR		C1630	1-164-943-11	CERAMIC CHIP 0.01UF 10.00% 16V		
3121		DIC2	CAPACITOR		C1631	1-125-777-11	CERAMIC CHIP 0.1UF 10.00% 10V		
3122		DIC2	CAPACITOR		C1632	1-125-777-11	CERAMIC CHIP 0.1UF 10.00% 10V		
3123		DIC2	CAPACITOR		C1633	1-164-943-11	CERAMIC CHIP 0.01UF 10.00% 16V		
3124		DIC2	CAPACITOR		C1634	1-125-777-11	CERAMIC CHIP 0.1UF 10.00% 10V		
3125		DIC2	CAPACITOR		C1635	1-125-777-11	CERAMIC CHIP 0.1UF 10.00% 10V		
3126		DIC2	CAPACITOR		C1636	1-164-943-11	CERAMIC CHIP 0.01UF 10.00% 16V		
3127		DIC2	CAPACITOR		C1637	1-125-777-11	CERAMIC CHIP 0.1UF 10.00% 10V		
3128		DIC2	CAPACITOR		C1638	1-164-943-11	CERAMIC CHIP 0.01UF 10.00% 16V		
3129		DIC2	CAPACITOR		C1639	1-137-710-11	CERAMIC CHIP 10UF 20% 6.3V		
3130		DIC2	CAPACITOR		C1640	1-125-777-11	CERAMIC CHIP 0.1UF 10.00% 10V		
3131		DIC2	CAPACITOR		C1641	1-125-777-11	CERAMIC CHIP 0.1UF 10.00% 10V		
3132		DIC2	CAPACITOR		C1643	1-125-777-11	CERAMIC CHIP 0.1UF 10.00% 10V		
3133		DIC2	CAPACITOR		C1644	1-125-777-11	CERAMIC CHIP 0.1UF 10.00% 10V		
3134		DIC2	CAPACITOR		C1645	1-125-777-11	CERAMIC CHIP 0.1UF 10.00% 10V		
3135		DIC2	CAPACITOR		C1646	1-125-777-11	CERAMIC CHIP 0.1UF 10.00% 10V		
3136		DIC2	CAPACITOR		C1647	1-125-777-11	CERAMIC CHIP 0.1UF 10.00% 10V		
3137		DIC2	CAPACITOR		C1703	1-125-777-11	CERAMIC CHIP 0.1UF 10.00% 10V		
3138		DIC2	CAPACITOR		C1704	1-125-777-11	CERAMIC CHIP 0.1UF 10.00% 10V		
3139		DIC2	CAPACITOR		C1708	1-164-943-11	CERAMIC CHIP 0.01UF 10.00% 16V		

No.	#	Board	Type	Δ / [*]	Ref. No.	Part No.	Description	Remarks-1	Remarks-2
3140		DIC2	CAPACITOR		C1710	1-164-943-11	CERAMIC CHIP 0.01UF 10.00% 16V		
3141		DIC2	CAPACITOR		C1712	1-125-777-11	CERAMIC CHIP 0.1UF 10.00% 10V		
3142		DIC2	CAPACITOR		C1713	1-126-246-11	ELECT CHIP 220UF 20.00% 4V		
3143		DIC2	CAPACITOR		C1714	1-126-205-11	ELECT CHIP 47UF 20.00% 6.3V		
3144		DIC2	CAPACITOR		C1715	1-125-777-11	CERAMIC CHIP 0.1UF 10.00% 10V		
3145		DIC2	CAPACITOR		C1716	1-125-777-11	CERAMIC CHIP 0.1UF 10.00% 10V		
3146		DIC2	CAPACITOR		C1717	1-165-643-21	ELECT CHIP 150UF 20% 4V		
3147		DIC2	CAPACITOR		C1723	1-125-777-11	CERAMIC CHIP 0.1UF 10.00% 10V		
3148		DIC2	CAPACITOR		C1724	1-125-777-11	CERAMIC CHIP 0.1UF 10.00% 10V		
3149		DIC2	CAPACITOR		C1726	1-125-777-11	CERAMIC CHIP 0.1UF 10.00% 10V		
3150		DIC2	CAPACITOR		C1727	1-125-777-11	CERAMIC CHIP 0.1UF 10.00% 10V		
3151		DIC2	CAPACITOR		C1728	1-125-777-11	CERAMIC CHIP 0.1UF 10.00% 10V		
3152		DIC2	CAPACITOR		C1729	1-125-777-11	CERAMIC CHIP 0.1UF 10.00% 10V		
3153		DIC2	CAPACITOR		C1730	1-164-943-11	CERAMIC CHIP 0.01UF 10.00% 16V		
3154		DIC2	CAPACITOR		C1731	1-164-943-11	CERAMIC CHIP 0.01UF 10.00% 16V		
3155		DIC2	CAPACITOR		C1732	1-164-943-11	CERAMIC CHIP 0.01UF 10.00% 16V		
3156		DIC2	CAPACITOR		C1738	1-125-777-11	CERAMIC CHIP 0.1UF 10.00% 10V		
3157		DIC2	CAPACITOR		C1739	1-125-777-11	CERAMIC CHIP 0.1UF 10.00% 10V		
3158		DIC2	CAPACITOR		C1740	1-137-710-11	CERAMIC CHIP 10UF 20% 6.3V		
3159		DIC2	CAPACITOR		C1741	1-125-777-11	CERAMIC CHIP 0.1UF 10.00% 10V		
3160		DIC2	CAPACITOR		C1742	1-125-777-11	CERAMIC CHIP 0.1UF 10.00% 10V		
3161		DIC2	CAPACITOR		C1743	1-164-943-11	CERAMIC CHIP 0.01UF 10.00% 16V		
3162		DIC2	CAPACITOR		C1745	1-125-777-11	CERAMIC CHIP 0.1UF 10.00% 10V		
3163		DIC2	CAPACITOR		C1746	1-125-777-11	CERAMIC CHIP 0.1UF 10.00% 10V		
3164		DIC2	CAPACITOR		C1747	1-164-943-11	CERAMIC CHIP 0.01UF 10.00% 16V		
3165		DIC2	CAPACITOR		C1748	1-164-854-11	CERAMIC CHIP 15PF 5.00% 50V		
3166		DIC2	CAPACITOR		C1749	1-125-777-11	CERAMIC CHIP 0.1UF 10.00% 10V		
3167		DIC2	CAPACITOR		C1750	1-125-777-11	CERAMIC CHIP 0.1UF 10.00% 10V		
3168		DIC2	CAPACITOR		C1751	1-137-710-11	CERAMIC CHIP 10UF 20% 6.3V		
3169		DIC2	CAPACITOR		C1752	1-164-854-11	CERAMIC CHIP 15PF 5.00% 50V		
3170		DIC2	CAPACITOR		C1753	1-137-710-11	CERAMIC CHIP 10UF 20% 6.3V		
3171		DIC2	CAPACITOR		C1754	1-125-777-11	CERAMIC CHIP 0.1UF 10.00% 10V		
3172		DIC2	CAPACITOR		C1755	1-125-777-11	CERAMIC CHIP 0.1UF 10.00% 10V		
3173		DIC2	CAPACITOR		C1756	1-164-943-11	CERAMIC CHIP 0.01UF 10.00% 16V		
3174		DIC2	CAPACITOR		C1757	1-164-943-11	CERAMIC CHIP 0.01UF 10.00% 16V		
3175		DIC2	CAPACITOR		C1758	1-125-777-11	CERAMIC CHIP 0.1UF 10.00% 10V		
3176		DIC2	CAPACITOR		C1759	1-164-943-11	CERAMIC CHIP 0.01UF 10.00% 16V		
3177		DIC2	CAPACITOR		C1760	1-164-943-11	CERAMIC CHIP 0.01UF 10.00% 16V		
3178		DIC2	CAPACITOR		C1761	1-164-943-11	CERAMIC CHIP 0.01UF 10.00% 16V		
3179		DIC2	CAPACITOR		C1762	1-164-943-11	CERAMIC CHIP 0.01UF 10.00% 16V		
3180		DIC2	CAPACITOR		C1764	1-125-777-11	CERAMIC CHIP 0.1UF 10.00% 10V		
3181		DIC2	CAPACITOR		C1765	1-125-777-11	CERAMIC CHIP 0.1UF 10.00% 10V		
3182		DIC2	CAPACITOR		C1766	1-164-943-11	CERAMIC CHIP 0.01UF 10.00% 16V		
3183		DIC2	CAPACITOR		C1767	1-164-943-11	CERAMIC CHIP 0.01UF 10.00% 16V		
3184		DIC2	CAPACITOR		C1768	1-164-943-11	CERAMIC CHIP 0.01UF 10.00% 16V		
3185		DIC2	CAPACITOR		C1769	1-164-943-11	CERAMIC CHIP 0.01UF 10.00% 16V		
3186		DIC2	CAPACITOR		C1770	1-164-943-11	CERAMIC CHIP 0.01UF 10.00% 16V		
3187		DIC2	CAPACITOR		C1771	1-164-943-11	CERAMIC CHIP 0.01UF 10.00% 16V		
3188		DIC2	CAPACITOR		C1772	1-164-943-11	CERAMIC CHIP 0.01UF 10.00% 16V		
3189		DIC2	CAPACITOR		C1773	1-164-943-11	CERAMIC CHIP 0.01UF 10.00% 16V		
3190		DIC2	CAPACITOR		C1774	1-164-943-11	CERAMIC CHIP 0.01UF 10.00% 16V		
3191		DIC2	CAPACITOR		C1775	1-164-943-11	CERAMIC CHIP 0.01UF 10.00% 16V		
3192		DIC2	CAPACITOR		C1776	1-164-943-11	CERAMIC CHIP 0.01UF 10.00% 16V		
3193		DIC2	CAPACITOR		C1777	1-164-943-11	CERAMIC CHIP 0.01UF 10.00% 16V		
3194		DIC2	CAPACITOR		C1778	1-164-943-11	CERAMIC CHIP 0.01UF 10.00% 16V		
3195		DIC2	CAPACITOR		C1779	1-164-943-11	CERAMIC CHIP 0.01UF 10.00% 16V		
3196		DIC2	CAPACITOR		C1780	1-164-943-11	CERAMIC CHIP 0.01UF 10.00% 16V		
3197		DIC2	CAPACITOR		C1781	1-164-943-11	CERAMIC CHIP 0.01UF 10.00% 16V		
3198		DIC2	CAPACITOR		C1782	1-164-943-11	CERAMIC CHIP 0.01UF 10.00% 16V		
3199		DIC2	CAPACITOR		C1783	1-164-943-11	CERAMIC CHIP 0.01UF 10.00% 16V		
3200		DIC2	CAPACITOR		C1784	1-164-943-11	CERAMIC CHIP 0.01UF 10.00% 16V		
3201		DIC2	CAPACITOR		C1785	1-164-943-11	CERAMIC CHIP 0.01UF 10.00% 16V		
3202		DIC2	CAPACITOR		C1786	1-164-943-11	CERAMIC CHIP 0.01UF 10.00% 16V		
3203		DIC2	CAPACITOR		C1787	1-164-943-11	CERAMIC CHIP 0.01UF 10.00% 16V		
3204		DIC2	CAPACITOR		C1788	1-164-943-11	CERAMIC CHIP 0.01UF 10.00% 16V		
3205		DIC2	CAPACITOR		C1789	1-164-943-11	CERAMIC CHIP 0.01UF 10.00% 16V		
3206		DIC2	CAPACITOR		C1790	1-164-943-11	CERAMIC CHIP 0.01UF 10.00% 16V		
3207		DIC2	CAPACITOR		C1791	1-164-943-11	CERAMIC CHIP 0.01UF 10.00% 16V		
3208		DIC2	CAPACITOR		C1792	1-164-943-11	CERAMIC CHIP 0.01UF 10.00% 16V		
3209		DIC2	CAPACITOR		C1793	1-164-943-11	CERAMIC CHIP 0.01UF 10.00% 16V		
3210		DIC2	CAPACITOR		C1794	1-164-943-11	CERAMIC CHIP 0.01UF 10.00% 16V		
3211		DIC2	CAPACITOR		C1795	1-164-943-11	CERAMIC CHIP 0.01UF 10.00% 16V		
3212		DIC2	CAPACITOR		C1796	1-164-943-11	CERAMIC CHIP 0.01UF 10.00% 16V		

No.	#	Board	Type	△/*	Ref. No.	Part No.	Description	Remarks-1	Remarks-2
3213		DIC2	CAPACITOR		C1797	1-164-943-11	CERAMIC CHIP 0.01UF 10.00% 16V		
3214		DIC2	CAPACITOR		C1798	1-164-943-11	CERAMIC CHIP 0.01UF 10.00% 16V		
3215		DIC2	CAPACITOR		C1799	1-164-943-11	CERAMIC CHIP 0.01UF 10.00% 16V		
3216		DIC2	CAPACITOR		C1800	1-164-943-11	CERAMIC CHIP 0.01UF 10.00% 16V		
3217		DIC2	CAPACITOR		C1801	1-164-943-11	CERAMIC CHIP 0.01UF 10.00% 16V		
3218		DIC2	CAPACITOR		C1802	1-164-943-11	CERAMIC CHIP 0.01UF 10.00% 16V		
3219		DIC2	CAPACITOR		C1803	1-137-710-11	CERAMIC CHIP 10UF 20% 6.3V		
3220		DIC2	CAPACITOR		C1804	1-137-710-11	CERAMIC CHIP 10UF 20% 6.3V		
3221		DIC2	CAPACITOR		C1900	1-164-943-11	CERAMIC CHIP 0.01UF 10.00% 16V		
3222		DIC2	CAPACITOR		C1902	1-125-777-11	CERAMIC CHIP 0.1UF 10.00% 10V		
3223		DIC2	CAPACITOR		C1903	1-125-777-11	CERAMIC CHIP 0.1UF 10.00% 10V		
3224		DIC2	CAPACITOR		C1904	1-125-777-11	CERAMIC CHIP 0.1UF 10.00% 10V		
3225		DIC2	CAPACITOR		C1905	1-119-923-11	CERAMIC CHIP 0.047UF 10.00% 10V		
3226		DIC2	CAPACITOR		C1906	1-125-777-11	CERAMIC CHIP 0.1UF 10.00% 10V		
3227		DIC2	CAPACITOR		C1907	1-125-777-11	CERAMIC CHIP 0.1UF 10.00% 10V		
3228		DIC2	CAPACITOR		C1908	1-164-943-11	CERAMIC CHIP 0.01UF 10.00% 16V		
3229		DIC2	CAPACITOR		C1910	1-126-206-11	ELECT CHIP 100UF 20.00% 6.3V		
3230		DIC2	CAPACITOR		C1911	1-125-777-11	CERAMIC CHIP 0.1UF 10.00% 10V		
3231		DIC2	CAPACITOR		C1912	1-125-777-11	CERAMIC CHIP 0.1UF 10.00% 10V		
3232		DIC2	CAPACITOR		C1915	1-125-777-11	CERAMIC CHIP 0.1UF 10.00% 10V		
3233		DIC2	CAPACITOR		C1916	1-125-777-11	CERAMIC CHIP 0.1UF 10.00% 10V		
3234		DIC2	CAPACITOR		C1917	1-125-777-11	CERAMIC CHIP 0.1UF 10.00% 10V		
3235		DIC2	CAPACITOR		C1918	1-125-777-11	CERAMIC CHIP 0.1UF 10.00% 10V		
3236		DIC2	CAPACITOR		C1919	1-125-777-11	CERAMIC CHIP 0.1UF 10.00% 10V		
3237		DIC2	CAPACITOR		C1920	1-125-777-11	CERAMIC CHIP 0.1UF 10.00% 10V		
3238		DIC2	CAPACITOR		C1921	1-126-206-11	ELECT CHIP 100UF 20.00% 6.3V		
3239		DIC2	CAPACITOR		C1922	1-126-206-11	ELECT CHIP 100UF 20.00% 6.3V		
3240		DIC2	CAPACITOR		C1923	1-125-777-11	CERAMIC CHIP 0.1UF 10.00% 10V		
3241		DIC2	CAPACITOR		C1924	1-125-777-11	CERAMIC CHIP 0.1UF 10.00% 10V		
3242		DIC2	CAPACITOR		C1925	1-100-503-11	CERAMIC CHIP 4.7UF 10% 10V		
3243		DIC2	CAPACITOR		C1926	1-125-777-11	CERAMIC CHIP 0.1UF 10.00% 10V		
3244		DIC2	CAPACITOR		C1927	1-125-777-11	CERAMIC CHIP 0.1UF 10.00% 10V		
3245		DIC2	CAPACITOR		C1928	1-100-503-11	CERAMIC CHIP 4.7UF 10% 10V		
3246		DIC2	CAPACITOR		C1929	1-107-826-11	CERAMIC CHIP 0.1UF 10.00% 16V		
3247		DIC2	CAPACITOR		C1930	1-107-826-11	CERAMIC CHIP 0.1UF 10.00% 16V		
3248		DIC2	CAPACITOR		C1931	1-125-777-11	CERAMIC CHIP 0.1UF 10.00% 10V		
3249		DIC2	CAPACITOR		C1932	1-125-777-11	CERAMIC CHIP 0.1UF 10.00% 10V		
3250		DIC2	CAPACITOR		C1933	1-125-777-11	CERAMIC CHIP 0.1UF 10.00% 10V		
3251		DIC2	CAPACITOR		C1934	1-125-777-11	CERAMIC CHIP 0.1UF 10.00% 10V		
3252		DIC2	CAPACITOR		C1935	1-107-826-11	CERAMIC CHIP 0.1UF 10.00% 16V		
3253		DIC2	CAPACITOR		C1936	1-107-826-11	CERAMIC CHIP 0.1UF 10.00% 16V		
3254		DIC2	CAPACITOR		C1937	1-164-230-11	CERAMIC CHIP 220PF 5.00% 50V		
3255		DIC2	CAPACITOR		C1938	1-164-230-11	CERAMIC CHIP 220PF 5.00% 50V		
3256		DIC2	CAPACITOR		C1939	1-117-681-11	ELECT CHIP 100UF 20.00% 16V		
3257		DIC2	CAPACITOR		C1940	1-107-826-11	CERAMIC CHIP 0.1UF 10.00% 16V		
3258		DIC2	DIODE		D1200	8-719-066-10	DIODE 1PS181-115		
3259		DIC2	DIODE		D1201	8-719-066-11	DIODE 1PS184-115		
3260		DIC2	DIODE		D1701	8-719-066-11	DIODE 1PS184-115		
3261		DIC2	DIODE		D1702	8-719-066-10	DIODE 1PS181-115		
3262		DIC2	DIODE		D1900	8-719-025-34	DIODE 02CZ6.8-TE85L		
3263		DIC2	DIODE		D1901	8-719-081-97	DIODE MMDL914T1		
3264		DIC2	DIODE		D1902	8-719-800-76	DIODE 1SS226		
3265		DIC2	DIODE		D1903	8-719-800-76	DIODE 1SS226		
3266		DIC2	FUSE	△	F1000	1-576-604-21	FUSE 1A 72V		
3267		DIC2	FUSE	△	F1001	1-576-604-21	FUSE 1A 72V		
3268		DIC2	FUSE	△	F1002	1-576-604-21	FUSE 1A 72V		
3269		DIC2	FERRITE BEAD		FB1000	1-414-228-11	FERRITE 0UH		
3270		DIC2	FERRITE BEAD		FB1001	1-414-228-11	FERRITE 0UH		
3271		DIC2	FERRITE BEAD		FB1002	1-414-228-11	FERRITE 0UH		
3272		DIC2	FERRITE BEAD		FB1003	1-414-228-11	FERRITE 0UH		
3273		DIC2	FERRITE BEAD		FB1004	1-414-228-11	FERRITE 0UH		
3274		DIC2	FERRITE BEAD		FB1005	1-414-228-11	FERRITE 0UH		
3275		DIC2	FERRITE BEAD		FB1200	1-414-234-22	FERRITE 0UH		
3276		DIC2	FERRITE BEAD		FB1701	1-414-445-11	FERRITE 0UH		
3277		DIC2	FERRITE BEAD		FB1703	1-414-445-11	FERRITE 0UH		
3278		DIC2	FILTER		FL1200	1-234-177-21	FERRITE 0UH		
3279		DIC2	FILTER		FL1201	1-234-560-21	FILTER, LOW PASS		
3280		DIC2	FILTER		FL1202	1-234-559-21	FILTER, LOW PASS		
3281		DIC2	FILTER		FL1203	1-234-559-21	FILTER, LOW PASS		
3282		DIC2	FILTER		FL1204	1-234-177-21	FERRITE 0UH		
3283		DIC2	FILTER		FL1205	1-234-177-21	FERRITE 0UH		
3284		DIC2	FILTER		FL1206	1-234-177-21	FERRITE 0UH		
3285		DIC2	FILTER		FL1207	1-234-177-21	FERRITE 0UH		

No.	#	Board	Type	△/*	Ref. No.	Part No.	Description	Remarks-1	Remarks-2
3286		DIC2	FILTER		FL1208	1-234-177-21	FERRITE 0UH		
3287		DIC2	IC		IC1000	6-701-680-01	IC PST3629NR		
3288		DIC2	IC		IC1001	6-701-680-01	IC PST3629NR		
3289		DIC2	IC		IC1002	8-759-677-29	IC TC74LVX125FT(EL)		
3290		DIC2	IC		IC1003	6-703-073-01	IC THC63LVDM83C-T		
3291		DIC2	IC		IC1006	8-759-677-29	IC TC74LVX125FT(EL)		
3292		DIC2	IC		IC1200	8-759-712-65	IC PQ070XZ01ZP		
3293		DIC2	IC		IC1201	6-705-529-01	IC LMH6658MMX/J5000172		
3294		DIC2	IC		IC1202	6-705-529-01	IC LMH6658MMX/J5000172		
3295		DIC2	IC		IC1203	8-752-425-02	IC CXD3802BQ		
3296		DIC2	IC		IC1204	6-703-430-01	IC MT48LC2M32B2TG-6-Y94W		
3297		DIC2	IC		IC1402	8-752-425-02	IC CXD3802BQ		
3298		DIC2	IC		IC1600	8-759-669-78	IC TLC2933IPWR-12		
3299		DIC2	IC		IC1602	8-759-676-70	IC MSM56V16160F-10TS-K		
3300		DIC2	IC		IC1603	8-752-422-52	IC CXD2097BQ		
3301		DIC2	IC		IC1702	6-700-120-01	IC IMISM560BZD		
3302		DIC2	IC		IC1703	6-704-992-01	IC CXD9707DGP		
3303		DIC2	IC		IC1704	6-703-430-01	IC MT48LC2M32B2TG-6-Y94W		
3304		DIC2	IC		IC1705	6-703-430-01	IC MT48LC2M32B2TG-6-Y94W		
3305		DIC2	IC		IC1900	6-702-688-01	IC M24C64-WMN6T(B)		
3306		DIC2	IC		IC1901	8-759-349-11	IC PST9145NL		
3307		DIC2	IC		IC1902	8-752-937-39	IC CXP964032-003R		
3308		DIC2	IC		IC1903	8-752-937-39	IC CXP964032-003R		
3309		DIC2	IC		IC1910	6-803-756-01	IC MB94P918PF-G-166A		
3310		DIC2	COIL		L1000	1-412-029-11	INDUCTOR 10UH		
3311		DIC2	COIL		L1003	1-412-058-11	INDUCTOR 10UH		
3312		DIC2	COIL		L1004	1-412-058-11	INDUCTOR 10UH		
3313		DIC2	COIL		L1200	1-469-555-21	INDUCTOR 10UH		
3314		DIC2	COIL		L1201	1-469-549-21	INDUCTOR 1UH		
3315		DIC2	COIL		L1202	1-469-549-21	INDUCTOR 1UH		
3316		DIC2	COIL		L1203	1-469-549-21	INDUCTOR 1UH		
3317		DIC2	COIL		L1204	1-469-549-21	INDUCTOR 1UH		
3318		DIC2	COIL		L1205	1-469-549-21	INDUCTOR 1UH		
3319		DIC2	COIL		L1206	1-412-029-11	INDUCTOR 10UH		
3320		DIC2	COIL		L1207	1-469-549-21	INDUCTOR 1UH		
3321		DIC2	COIL		L1208	1-469-549-21	INDUCTOR 1UH		
3322		DIC2	COIL		L1209	1-469-549-21	INDUCTOR 1UH		
3323		DIC2	COIL		L1210	1-469-549-21	INDUCTOR 1UH		
3324		DIC2	COIL		L1400	1-469-555-21	INDUCTOR 10UH		
3325		DIC2	COIL		L1401	1-412-029-11	INDUCTOR 10UH		
3326		DIC2	COIL		L1600	1-412-064-11	INDUCTOR 100UH		
3327		DIC2	COIL		L1601	1-412-064-11	INDUCTOR 100UH		
3328		DIC2	COIL		L1602	1-412-058-11	INDUCTOR 10UH		
3329		DIC2	COIL		L1603	1-469-549-21	INDUCTOR 1UH		
3330		DIC2	COIL		L1604	1-412-058-11	INDUCTOR 10UH		
3331		DIC2	COIL		L1605	1-469-549-21	INDUCTOR 1UH		
3332		DIC2	COIL		L1701	1-412-053-21	INDUCTOR 1.5UH		
3333		DIC2	COIL		L1702	1-412-053-21	INDUCTOR 1.5UH		
3334		DIC2	COIL		L1703	1-469-555-21	INDUCTOR 10UH		
3335		DIC2	COIL		L1704	1-469-549-21	INDUCTOR 1UH		
3336		DIC2	COIL		L1705	1-469-549-21	INDUCTOR 1UH		
3337		DIC2	COIL		L1706	1-469-549-21	INDUCTOR 1UH		
3338		DIC2	COIL		L1707	1-469-549-21	INDUCTOR 1UH		
3339		DIC2	COIL		L1708	1-469-549-21	INDUCTOR 1UH		
3340		DIC2	COIL		L1709	1-469-549-21	INDUCTOR 1UH		
3341		DIC2	COIL		L1900	1-412-058-11	INDUCTOR 10UH		
3342		DIC2	COIL		L1901	1-469-555-21	INDUCTOR 10UH		
3343		DIC2	COIL		L1902	1-469-555-21	INDUCTOR 10UH		
3344		DIC2	COIL		L1903	1-469-555-21	INDUCTOR 10UH		
3345		DIC2	TRANSISTOR		Q1000	8-729-117-73	TRANSISTOR 2SC4178-F14		
3346		DIC2	TRANSISTOR		Q1002	8-729-117-73	TRANSISTOR 2SC4178-F14		
3347		DIC2	TRANSISTOR		Q1003	8-729-117-73	TRANSISTOR 2SC4178-F14		
3348		DIC2	TRANSISTOR		Q1007	8-729-117-73	TRANSISTOR 2SC4178-F14		
3349		DIC2	TRANSISTOR		Q1008	8-729-117-73	TRANSISTOR 2SC4178-F14		
3350		DIC2	TRANSISTOR		Q1200	8-729-122-63	TRANSISTOR 2SA1226-E4		
3351		DIC2	TRANSISTOR		Q1201	8-729-122-63	TRANSISTOR 2SA1226-E4		
3352		DIC2	TRANSISTOR		Q1202	8-729-122-63	TRANSISTOR 2SA1226-E4		
3353		DIC2	TRANSISTOR		Q1203	8-729-030-53	TRANSISTOR MSD1819A-RT1		
3354		DIC2	TRANSISTOR		Q1204	8-729-117-73	TRANSISTOR 2SC4178-F14		
3355		DIC2	TRANSISTOR		Q1205	8-729-117-73	TRANSISTOR 2SC4178-F14		
3356		DIC2	TRANSISTOR		Q1206	8-729-028-28	TRANSISTOR 2SK2036(TE85L)		
3357		DIC2	TRANSISTOR		Q1208	8-729-028-28	TRANSISTOR 2SK2036(TE85L)		
3358		DIC2	TRANSISTOR		Q1209	8-729-030-53	TRANSISTOR MSD1819A-RT1		

No.	#	Board	Type	△/*	Ref. No.	Part No.	Description	Remarks-1	Remarks-2
3359		DIC2	TRANSISTOR		Q1400	8-729-122-63	TRANSISTOR 2SA1226-E4		
3360		DIC2	TRANSISTOR		Q1401	8-729-122-63	TRANSISTOR 2SA1226-E4		
3361		DIC2	TRANSISTOR		Q1403	8-729-030-53	TRANSISTOR MSD1819A-RT1		
3362		DIC2	TRANSISTOR		Q1407	8-729-030-53	TRANSISTOR MSD1819A-RT1		
3363		DIC2	TRANSISTOR		Q1600	8-729-026-53	TRANSISTOR 2SA1576A-T106-QR		
3364		DIC2	TRANSISTOR		Q1601	8-729-905-35	TRANSISTOR 2SC4081-R		
3365		DIC2	TRANSISTOR		Q1701	8-729-028-28	TRANSISTOR 2SK2036(TE85L)		
3366		DIC2	TRANSISTOR		Q1702	8-729-028-28	TRANSISTOR 2SK2036(TE85L)		
3367		DIC2	TRANSISTOR		Q1900	8-729-043-29	TRANSISTOR PDTC144EK-115		
3368		DIC2	TRANSISTOR		Q1901	8-729-030-54	TRANSISTOR MSB1218A-RT1		
3369		DIC2	TRANSISTOR		Q1903	8-729-030-54	TRANSISTOR MSB1218A-RT1		
3370		DIC2	TRANSISTOR		Q1904	8-729-028-97	TRANSISTOR DTC114TUA-T106		
3371		DIC2	TRANSISTOR		Q1905	8-729-030-54	TRANSISTOR MSB1218A-RT1		
3372		DIC2	TRANSISTOR		Q1906	8-729-030-54	TRANSISTOR MSB1218A-RT1		
3373		DIC2	TRANSISTOR		Q1907	8-729-030-53	TRANSISTOR MSD1819A-RT1		
3374		DIC2	TRANSISTOR		Q1908	8-729-030-53	TRANSISTOR MSD1819A-RT1		
3375		DIC2	RESISTOR		R1000	1-216-864-11	SHORT CHIP 0		
3376		DIC2	RESISTOR		R1003	1-218-990-11	SHORT CHIP 0		
3377		DIC2	RESISTOR		R1004	1-218-990-11	SHORT CHIP 0		
3378		DIC2	RESISTOR		R1005	1-218-990-11	SHORT CHIP 0		
3379		DIC2	RESISTOR		R1006	1-218-990-11	SHORT CHIP 0		
3380		DIC2	RESISTOR		R1007	1-218-990-11	SHORT CHIP 0		
3381		DIC2	RESISTOR		R1014	1-216-864-11	SHORT CHIP 0		
3382		DIC2	RESISTOR		R1016	1-218-965-11	RES-CHIP 10K 5% 1/16W		
3383		DIC2	RESISTOR		R1017	1-218-990-11	SHORT CHIP 0		
3384		DIC2	RESISTOR		R1018	1-218-933-11	RES-CHIP 22 5% 1/16W		
3385		DIC2	RESISTOR		R1019	1-218-933-11	RES-CHIP 22 5% 1/16W		
3386		DIC2	RESISTOR		R1020	1-218-933-11	RES-CHIP 22 5% 1/16W		
3387		DIC2	RESISTOR		R1021	1-218-937-11	RES-CHIP 47 5% 1/16W		
3388		DIC2	RESISTOR		R1023	1-218-953-11	RES-CHIP 1K 5% 1/16W		
3389		DIC2	RESISTOR		R1026	1-218-937-11	RES-CHIP 47 5% 1/16W		
3390		DIC2	RESISTOR		R1028	1-218-937-11	RES-CHIP 47 5% 1/16W		
3391		DIC2	RESISTOR		R1030	1-218-953-11	RES-CHIP 1K 5% 1/16W		
3392		DIC2	RESISTOR		R1031	1-218-949-11	RES-CHIP 470 5% 1/16W		
3393		DIC2	RESISTOR		R1032	1-218-937-11	RES-CHIP 47 5% 1/16W		
3394		DIC2	RESISTOR		R1036	1-218-937-11	RES-CHIP 47 5% 1/16W		
3395		DIC2	RESISTOR		R1040	1-218-953-11	RES-CHIP 1K 5% 1/16W		
3396		DIC2	RESISTOR		R1041	1-218-949-11	RES-CHIP 470 5% 1/16W		
3397		DIC2	RESISTOR		R1049	1-218-965-11	RES-CHIP 10K 5% 1/16W		
3398		DIC2	RESISTOR		R1050	1-218-941-81	RES-CHIP 100 5% 1/16W		
3399		DIC2	RESISTOR		R1051	1-218-941-81	RES-CHIP 100 5% 1/16W		
3400		DIC2	RESISTOR		R1052	1-218-941-81	RES-CHIP 100 5% 1/16W		
3401		DIC2	RESISTOR		R1053	1-218-941-81	RES-CHIP 100 5% 1/16W		
3402		DIC2	RESISTOR		R1056	1-216-864-11	SHORT CHIP 0		
3403		DIC2	RESISTOR		R1059	1-216-296-11	SHORT CHIP 0		
3404		DIC2	RESISTOR		R1060	1-208-635-11	METAL CHIP 10 0.5% 1/16W		
3405		DIC2	RESISTOR		R1062	1-218-990-11	SHORT CHIP 0		
3406		DIC2	RESISTOR		R1063	1-216-296-11	SHORT CHIP 0		
3407		DIC2	RESISTOR		R1064	1-218-941-81	RES-CHIP 100 5% 1/16W		
3408		DIC2	RESISTOR		R1065	1-218-941-81	RES-CHIP 100 5% 1/16W		
3409		DIC2	RESISTOR		R1066	1-218-968-11	RES-CHIP 18K 5% 1/16W		
3410		DIC2	RESISTOR		R1068	1-216-864-11	SHORT CHIP 0		
3411		DIC2	RESISTOR		R1070	1-216-864-11	SHORT CHIP 0		
3412		DIC2	RESISTOR		R1076	1-218-941-81	RES-CHIP 100 5% 1/16W		
3413		DIC2	RESISTOR		R1077	1-218-990-11	SHORT CHIP 0		
3414		DIC2	RESISTOR		R1078	1-218-941-81	RES-CHIP 100 5% 1/16W		
3415		DIC2	RESISTOR		R1085	1-218-990-11	SHORT CHIP 0		
3416		DIC2	RESISTOR		R1088	1-208-635-11	METAL CHIP 10 0.5% 1/16W		
3417		DIC2	RESISTOR		R1089	1-208-635-11	METAL CHIP 10 0.5% 1/16W		
3418		DIC2	RESISTOR		R1200	1-216-864-11	SHORT CHIP 0		
3419		DIC2	RESISTOR		R1201	1-216-864-11	SHORT CHIP 0		
3420		DIC2	RESISTOR		R1202	1-220-174-11	METAL CHIP 200 5% 1/16W		
3421		DIC2	RESISTOR		R1203	1-208-874-81	METAL CHIP 300 0.5% 1/16W		
3422		DIC2	RESISTOR		R1204	1-208-874-81	METAL CHIP 300 0.5% 1/16W		
3423		DIC2	RESISTOR		R1205	1-220-174-11	METAL CHIP 200 5% 1/16W		
3424		DIC2	RESISTOR		R1206	1-208-874-81	METAL CHIP 300 0.5% 1/16W		
3425		DIC2	RESISTOR		R1207	1-208-874-81	METAL CHIP 300 0.5% 1/16W		
3426		DIC2	RESISTOR		R1208	1-218-941-81	RES-CHIP 100 5% 1/16W		
3427		DIC2	RESISTOR		R1209	1-218-941-81	RES-CHIP 100 5% 1/16W		
3428		DIC2	RESISTOR		R1210	1-218-941-81	RES-CHIP 100 5% 1/16W		
3429		DIC2	RESISTOR		R1211	1-208-683-11	METAL CHIP 1K 0.5% 1/16W		
3430		DIC2	RESISTOR		R1212	1-208-683-11	METAL CHIP 1K 0.5% 1/16W		
3431		DIC2	RESISTOR		R1214	1-218-955-11	RES-CHIP 1.5K 5% 1/16W		

No.	#	Board	Type	Δ/\ast	Ref. No.	Part No.	Description	Remarks-1	Remarks-2
3432		DIC2	RESISTOR		R1215	1-218-955-11	RES-CHIP 1.5K 5% 1/16W		
3433		DIC2	RESISTOR		R1216	1-218-955-11	RES-CHIP 1.5K 5% 1/16W		
3434		DIC2	RESISTOR		R1217	1-218-990-11	SHORT CHIP 0		
3435		DIC2	RESISTOR		R1218	1-218-990-11	SHORT CHIP 0		
3436		DIC2	RESISTOR		R1219	1-208-703-11	METAL CHIP 6.8K 0.5% 1/16W		
3437		DIC2	RESISTOR		R1220	1-208-697-11	METAL CHIP 3.9K 0.5% 1/16W		
3438		DIC2	RESISTOR		R1225	1-208-643-11	METAL CHIP 22 0.5% 1/16W		
3439		DIC2	RESISTOR		R1226	1-208-675-11	METAL CHIP 470 0.5% 1/16W		
3440		DIC2	RESISTOR		R1227	1-208-675-11	METAL CHIP 470 0.5% 1/16W		
3441		DIC2	RESISTOR		R1228	1-218-965-11	RES-CHIP 10K 5% 1/16W		
3442		DIC2	RESISTOR		R1229	1-208-675-11	METAL CHIP 470 0.5% 1/16W		
3443		DIC2	RESISTOR		R1230	1-218-979-11	RES-CHIP 150K 5% 1/16W		
3444		DIC2	RESISTOR		R1231	1-208-675-11	METAL CHIP 470 0.5% 1/16W		
3445		DIC2	RESISTOR		R1232	1-208-675-11	METAL CHIP 470 0.5% 1/16W		
3446		DIC2	RESISTOR		R1235	1-208-675-11	METAL CHIP 470 0.5% 1/16W		
3447		DIC2	RESISTOR		R1236	1-218-941-11	METAL CHIP 100 5% 1/16W		
3448		DIC2	RESISTOR		R1238	1-218-951-11	RES-CHIP 680 5% 1/16W		
3449		DIC2	RESISTOR		R1239	1-216-864-11	SHORT CHIP 0		
3450		DIC2	RESISTOR		R1240	1-216-864-11	SHORT CHIP 0		
3451		DIC2	RESISTOR		R1241	1-218-990-11	SHORT CHIP 0		
3452		DIC2	RESISTOR		R1242	1-218-990-11	SHORT CHIP 0		
3453		DIC2	RESISTOR		R1243	1-218-941-11	METAL CHIP 100 5% 1/16W		
3454		DIC2	RESISTOR		R1244	1-216-864-11	SHORT CHIP 0		
3455		DIC2	RESISTOR		R1246	1-218-990-11	SHORT CHIP 0		
3456		DIC2	RESISTOR		R1247	1-216-864-11	SHORT CHIP 0		
3457		DIC2	RESISTOR		R1248	1-218-951-11	RES-CHIP 680 5% 1/16W		
3458		DIC2	RESISTOR		R1250	1-218-990-11	SHORT CHIP 0		
3459		DIC2	RESISTOR		R1251	1-218-965-11	RES-CHIP 10K 5% 1/16W		
3460		DIC2	RESISTOR		R1252	1-218-990-11	SHORT CHIP 0		
3461		DIC2	RESISTOR		R1253	1-218-965-11	RES-CHIP 10K 5% 1/16W		
3462		DIC2	RESISTOR		R1255	1-208-908-11	METAL CHIP 7.5K 0.5% 1/16W		
3463		DIC2	RESISTOR		R1256	1-208-692-11	METAL CHIP 2.4K 0.5% 1/16W		
3464		DIC2	RESISTOR		R1258	1-218-990-11	SHORT CHIP 0		
3465		DIC2	RESISTOR		R1259	1-218-990-11	SHORT CHIP 0		
3466		DIC2	RESISTOR		R1260	1-218-990-11	SHORT CHIP 0		
3467		DIC2	RESISTOR		R1263	1-218-990-11	SHORT CHIP 0		
3468		DIC2	RESISTOR		R1268	1-218-969-11	RES-CHIP 22K 5% 1/16W		
3469		DIC2	RESISTOR		R1269	1-218-969-11	RES-CHIP 22K 5% 1/16W		
3470		DIC2	RESISTOR		R1270	1-218-937-11	RES-CHIP 47 5% 1/16W		
3471		DIC2	RESISTOR		R1271	1-218-937-11	RES-CHIP 47 5% 1/16W		
3472		DIC2	RESISTOR		R1272	1-218-990-11	SHORT CHIP 0		
3473		DIC2	RESISTOR		R1273	1-218-933-11	RES-CHIP 22 5% 1/16W		
3474		DIC2	RESISTOR		R1274	1-218-965-11	RES-CHIP 10K 5% 1/16W		
3475		DIC2	RESISTOR		R1275	1-218-990-11	SHORT CHIP 0		
3476		DIC2	RESISTOR		R1276	1-218-990-11	SHORT CHIP 0		
3477		DIC2	RESISTOR		R1277	1-218-990-11	SHORT CHIP 0		
3478		DIC2	RESISTOR		R1278	1-218-990-11	SHORT CHIP 0		
3479		DIC2	RESISTOR		R1279	1-218-990-11	SHORT CHIP 0		
3480		DIC2	RESISTOR		R1280	1-218-990-11	SHORT CHIP 0		
3481		DIC2	RESISTOR		R1281	1-218-990-11	SHORT CHIP 0		
3482		DIC2	RESISTOR		R1282	1-218-937-11	RES-CHIP 47 5% 1/16W		
3483		DIC2	RESISTOR		R1283	1-218-937-11	RES-CHIP 47 5% 1/16W		
3484		DIC2	RESISTOR		R1284	1-218-990-11	SHORT CHIP 0		
3485		DIC2	RESISTOR		R1285	1-218-990-11	SHORT CHIP 0		
3486		DIC2	RESISTOR		R1286	1-218-990-11	SHORT CHIP 0		
3487		DIC2	RESISTOR		R1287	1-218-990-11	SHORT CHIP 0		
3488		DIC2	RESISTOR		R1288	1-218-990-11	SHORT CHIP 0		
3489		DIC2	RESISTOR		R1289	1-218-990-11	SHORT CHIP 0		
3490		DIC2	RESISTOR		R1290	1-218-933-11	RES-CHIP 22 5% 1/16W		
3491		DIC2	RESISTOR		R1291	1-216-864-11	SHORT CHIP 0		
3492		DIC2	RESISTOR		R1292	1-218-933-11	RES-CHIP 22 5% 1/16W		
3493		DIC2	RESISTOR		R1293	1-218-965-11	RES-CHIP 10K 5% 1/16W		
3494		DIC2	RESISTOR		R1294	1-218-990-11	SHORT CHIP 0		
3495		DIC2	RESISTOR		R1295	1-208-635-11	METAL CHIP 10 0.5% 1/16W		
3496		DIC2	RESISTOR		R1296	1-208-635-11	METAL CHIP 10 0.5% 1/16W		
3497		DIC2	RESISTOR		R1297	1-218-937-11	RES-CHIP 47 5% 1/16W		
3498		DIC2	RESISTOR		R1298	1-218-937-11	RES-CHIP 47 5% 1/16W		
3499		DIC2	RESISTOR		R1300	1-218-937-11	RES-CHIP 47 5% 1/16W		
3500		DIC2	RESISTOR		R1301	1-218-937-11	RES-CHIP 47 5% 1/16W		
3501		DIC2	RESISTOR		R1302	1-218-937-11	RES-CHIP 47 5% 1/16W		
3502		DIC2	RESISTOR		R1311	1-218-990-11	SHORT CHIP 0		
3503		DIC2	RESISTOR		R1312	1-218-990-11	SHORT CHIP 0		
3504		DIC2	RESISTOR		R1313	1-218-990-11	SHORT CHIP 0		

No.	#	Board	Type	Δ /*	Ref. No.	Part No.	Description	Remarks-1	Remarks-2
3505		DIC2	RESISTOR		R1314	1-218-990-11	SHORT CHIP 0		
3506		DIC2	RESISTOR		R1400	1-216-864-11	SHORT CHIP 0		
3507		DIC2	RESISTOR		R1411	1-218-955-11	RES-CHIP 1.5K 5% 1/16W		
3508		DIC2	RESISTOR		R1412	1-218-955-11	RES-CHIP 1.5K 5% 1/16W		
3509		DIC2	RESISTOR		R1413	1-218-955-11	RES-CHIP 1.5K 5% 1/16W		
3510		DIC2	RESISTOR		R1416	1-208-703-11	METAL CHIP 6.8K 0.5% 1/16W		
3511		DIC2	RESISTOR		R1417	1-208-697-11	METAL CHIP 3.9K 0.5% 1/16W		
3512		DIC2	RESISTOR		R1419	1-218-990-11	SHORT CHIP 0		
3513		DIC2	RESISTOR		R1420	1-218-990-11	SHORT CHIP 0		
3514		DIC2	RESISTOR		R1422	1-208-643-11	METAL CHIP 22 0.5% 1/16W		
3515		DIC2	RESISTOR		R1426	1-218-979-11	RES-CHIP 150K 5% 1/16W		
3516		DIC2	RESISTOR		R1434	1-218-969-11	RES-CHIP 22K 5% 1/16W		
3517		DIC2	RESISTOR		R1440	1-218-990-11	SHORT CHIP 0		
3518		DIC2	RESISTOR		R1443	1-218-990-11	SHORT CHIP 0		
3519		DIC2	RESISTOR		R1444	1-218-990-11	SHORT CHIP 0		
3520		DIC2	RESISTOR		R1446	1-208-908-11	METAL CHIP 7.5K 0.5% 1/16W		
3521		DIC2	RESISTOR		R1447	1-208-692-11	METAL CHIP 2.4K 0.5% 1/16W		
3522		DIC2	RESISTOR		R1449	1-218-990-11	SHORT CHIP 0		
3523		DIC2	RESISTOR		R1452	1-218-990-11	SHORT CHIP 0		
3524		DIC2	RESISTOR		R1453	1-218-937-11	RES-CHIP 47 5% 1/16W		
3525		DIC2	RESISTOR		R1454	1-218-937-11	RES-CHIP 47 5% 1/16W		
3526		DIC2	RESISTOR		R1455	1-218-969-11	RES-CHIP 22K 5% 1/16W		
3527		DIC2	RESISTOR		R1456	1-218-969-11	RES-CHIP 22K 5% 1/16W		
3528		DIC2	RESISTOR		R1457	1-218-990-11	SHORT CHIP 0		
3529		DIC2	RESISTOR		R1458	1-218-965-11	RES-CHIP 10K 5% 1/16W		
3530		DIC2	RESISTOR		R1459	1-218-990-11	SHORT CHIP 0		
3531		DIC2	RESISTOR		R1460	1-218-990-11	SHORT CHIP 0		
3532		DIC2	RESISTOR		R1461	1-218-990-11	SHORT CHIP 0		
3533		DIC2	RESISTOR		R1462	1-218-941-81	RES-CHIP 100 5% 1/16W		
3534		DIC2	RESISTOR		R1463	1-218-965-11	RES-CHIP 10K 5% 1/16W		
3535		DIC2	RESISTOR		R1464	1-218-990-11	SHORT CHIP 0		
3536		DIC2	RESISTOR		R1465	1-208-635-11	METAL CHIP 10 0.5% 1/16W		
3537		DIC2	RESISTOR		R1466	1-208-635-11	METAL CHIP 10 0.5% 1/16W		
3538		DIC2	RESISTOR		R1467	1-218-933-11	RES-CHIP 22 5% 1/16W		
3539		DIC2	RESISTOR		R1468	1-218-937-11	RES-CHIP 47 5% 1/16W		
3540		DIC2	RESISTOR		R1469	1-218-937-11	RES-CHIP 47 5% 1/16W		
3541		DIC2	RESISTOR		R1475	1-218-937-11	RES-CHIP 47 5% 1/16W		
3542		DIC2	RESISTOR		R1476	1-218-937-11	RES-CHIP 47 5% 1/16W		
3543		DIC2	RESISTOR		R1477	1-218-937-11	RES-CHIP 47 5% 1/16W		
3544		DIC2	RESISTOR		R1479	1-218-941-81	RES-CHIP 100 5% 1/16W		
3545		DIC2	RESISTOR		R1480	1-218-941-81	RES-CHIP 100 5% 1/16W		
3546		DIC2	RESISTOR		R1482	1-218-990-11	SHORT CHIP 0		
3547		DIC2	RESISTOR		R1483	1-218-990-11	SHORT CHIP 0		
3548		DIC2	RESISTOR		R1484	1-218-990-11	SHORT CHIP 0		
3549		DIC2	RESISTOR		R1600	1-218-945-11	RES-CHIP 220 5% 1/16W		
3550		DIC2	RESISTOR		R1601	1-218-947-11	RES-CHIP 330 5% 1/16W		
3551		DIC2	RESISTOR		R1602	1-218-941-81	RES-CHIP 100 5% 1/16W		
3552		DIC2	RESISTOR		R1603	1-218-990-11	SHORT CHIP 0		
3553		DIC2	RESISTOR		R1604	1-218-941-81	RES-CHIP 100 5% 1/16W		
3554		DIC2	RESISTOR		R1605	1-218-990-11	SHORT CHIP 0		
3555		DIC2	RESISTOR		R1606	1-218-985-11	RES-CHIP 470K 5% 1/16W		
3556		DIC2	RESISTOR		R1607	1-218-990-11	SHORT CHIP 0		
3557		DIC2	RESISTOR		R1608	1-218-969-11	RES-CHIP 22K 5% 1/16W		
3558		DIC2	RESISTOR		R1609	1-218-945-11	RES-CHIP 220 5% 1/16W		
3559		DIC2	RESISTOR		R1610	1-208-898-11	METAL CHIP 3K 0.5% 1/16W		
3560		DIC2	RESISTOR		R1612	1-218-953-11	RES-CHIP 1K 5% 1/16W		
3561		DIC2	RESISTOR		R1614	1-216-295-91	SHORT CHIP 0		
3562		DIC2	RESISTOR		R1615	1-218-959-11	RES-CHIP 3.3K 5% 1/16W		
3563		DIC2	RESISTOR		R1617	1-218-985-11	RES-CHIP 470K 5% 1/16W		
3564		DIC2	RESISTOR		R1618	1-218-990-11	SHORT CHIP 0		
3565		DIC2	RESISTOR		R1619	1-218-965-11	RES-CHIP 10K 5% 1/16W		
3566		DIC2	RESISTOR		R1621	1-218-937-11	RES-CHIP 47 5% 1/16W		
3567		DIC2	RESISTOR		R1622	1-218-937-11	RES-CHIP 47 5% 1/16W		
3568		DIC2	RESISTOR		R1623	1-218-942-11	RES-CHIP 120 5% 1/16W		
3569		DIC2	RESISTOR		R1624	1-218-942-11	RES-CHIP 120 5% 1/16W		
3570		DIC2	RESISTOR		R1625	1-218-935-11	RES-CHIP 33 5% 1/16W		
3571		DIC2	RESISTOR		R1626	1-218-937-11	RES-CHIP 47 5% 1/16W		
3572		DIC2	RESISTOR		R1627	1-218-935-11	RES-CHIP 33 5% 1/16W		
3573		DIC2	RESISTOR		R1628	1-218-941-81	RES-CHIP 100 5% 1/16W		
3574		DIC2	RESISTOR		R1629	1-208-635-11	METAL CHIP 10 0.5% 1/16W		
3575		DIC2	RESISTOR		R1630	1-218-941-81	RES-CHIP 100 5% 1/16W		
3576		DIC2	RESISTOR		R1631	1-218-941-81	RES-CHIP 100 5% 1/16W		
3577		DIC2	RESISTOR		R1632	1-218-941-81	RES-CHIP 100 5% 1/16W		

No.	#	Board	Type	Δ / [*]	Ref. No.	Part No.	Description	Remarks-1	Remarks-2
3578		DIC2	RESISTOR		R1633	1-218-937-11	RES-CHIP 47 5% 1/16W		
3579		DIC2	RESISTOR		R1634	1-216-295-91	SHORT CHIP 0		
3580		DIC2	RESISTOR		R1635	1-218-937-11	RES-CHIP 47 5% 1/16W		
3581		DIC2	RESISTOR		R1636	1-218-990-11	SHORT CHIP 0		
3582		DIC2	RESISTOR		R1704	1-218-990-11	SHORT CHIP 0		
3583		DIC2	RESISTOR		R1705	1-218-961-11	RES-CHIP 4.7K 5% 1/16W		
3584		DIC2	RESISTOR		R1707	1-218-990-11	SHORT CHIP 0		
3585		DIC2	RESISTOR		R1709	1-218-965-11	RES-CHIP 10K 5% 1/16W		
3586		DIC2	RESISTOR		R1712	1-218-990-11	SHORT CHIP 0		
3587		DIC2	RESISTOR		R1715	1-218-935-11	RES-CHIP 33 5% 1/16W		
3588		DIC2	RESISTOR		R1716	1-218-990-11	SHORT CHIP 0		
3589		DIC2	RESISTOR		R1717	1-216-295-91	SHORT CHIP 0		
3590		DIC2	RESISTOR		R1719	1-218-935-11	RES-CHIP 33 5% 1/16W		
3591		DIC2	RESISTOR		R1730	1-218-990-11	SHORT CHIP 0		
3592		DIC2	RESISTOR		R1731	1-218-990-11	SHORT CHIP 0		
3593		DIC2	RESISTOR		R1732	1-218-933-11	RES-CHIP 22 5% 1/16W		
3594		DIC2	RESISTOR		R1733	1-218-933-11	RES-CHIP 22 5% 1/16W		
3595		DIC2	RESISTOR		R1734	1-218-937-11	RES-CHIP 47 5% 1/16W		
3596		DIC2	RESISTOR		R1736	1-218-990-11	SHORT CHIP 0		
3597		DIC2	RESISTOR		R1737	1-218-990-11	SHORT CHIP 0		
3598		DIC2	RESISTOR		R1738	1-218-990-11	SHORT CHIP 0		
3599		DIC2	RESISTOR		R1739	1-218-990-11	SHORT CHIP 0		
3600		DIC2	RESISTOR		R1740	1-218-933-11	RES-CHIP 22 5% 1/16W		
3601		DIC2	RESISTOR		R1741	1-218-990-11	SHORT CHIP 0		
3602		DIC2	RESISTOR		R1742	1-218-933-11	RES-CHIP 22 5% 1/16W		
3603		DIC2	RESISTOR		R1743	1-218-937-11	RES-CHIP 47 5% 1/16W		
3604		DIC2	RESISTOR		R1745	1-218-990-11	SHORT CHIP 0		
3605		DIC2	RESISTOR		R1747	1-218-990-11	SHORT CHIP 0		
3606		DIC2	RESISTOR		R1750	1-218-933-11	RES-CHIP 22 5% 1/16W		
3607		DIC2	RESISTOR		R1751	1-218-937-11	RES-CHIP 47 5% 1/16W		
3608		DIC2	RESISTOR		R1752	1-218-990-11	SHORT CHIP 0		
3609		DIC2	RESISTOR		R1753	1-218-933-11	RES-CHIP 22 5% 1/16W		
3610		DIC2	RESISTOR		R1754	1-218-990-11	SHORT CHIP 0		
3611		DIC2	RESISTOR		R1755	1-218-945-11	METAL CHIP 220 5% 1/16W		
3612		DIC2	RESISTOR		R1756	1-218-990-11	SHORT CHIP 0		
3613		DIC2	RESISTOR		R1758	1-218-990-11	SHORT CHIP 0		
3614		DIC2	RESISTOR		R1759	1-218-937-11	RES-CHIP 47 5% 1/16W		
3615		DIC2	RESISTOR		R1760	1-218-937-11	RES-CHIP 47 5% 1/16W		
3616		DIC2	RESISTOR		R1761	1-218-990-11	SHORT CHIP 0		
3617		DIC2	RESISTOR		R1762	1-218-990-11	SHORT CHIP 0		
3618		DIC2	RESISTOR		R1763	1-218-990-11	SHORT CHIP 0		
3619		DIC2	RESISTOR		R1764	1-218-990-11	SHORT CHIP 0		
3620		DIC2	RESISTOR		R1765	1-218-990-11	SHORT CHIP 0		
3621		DIC2	RESISTOR		R1766	1-218-965-11	RES-CHIP 10K 5% 1/16W		
3622		DIC2	RESISTOR		R1767	1-218-990-11	SHORT CHIP 0		
3623		DIC2	RESISTOR		R1768	1-218-965-11	RES-CHIP 10K 5% 1/16W		
3624		DIC2	RESISTOR		R1769	1-218-965-11	RES-CHIP 10K 5% 1/16W		
3625		DIC2	RESISTOR		R1770	1-218-965-11	RES-CHIP 10K 5% 1/16W		
3626		DIC2	RESISTOR		R1771	1-218-965-11	RES-CHIP 10K 5% 1/16W		
3627		DIC2	RESISTOR		R1772	1-218-965-11	RES-CHIP 10K 5% 1/16W		
3628		DIC2	RESISTOR		R1773	1-218-990-11	SHORT CHIP 0		
3629		DIC2	RESISTOR		R1774	1-218-990-11	SHORT CHIP 0		
3630		DIC2	RESISTOR		R1775	1-218-933-11	RES-CHIP 22 5% 1/16W		
3631		DIC2	RESISTOR		R1776	1-218-933-11	RES-CHIP 22 5% 1/16W		
3632		DIC2	RESISTOR		R1777	1-218-933-11	RES-CHIP 22 5% 1/16W		
3633		DIC2	RESISTOR		R1779	1-218-990-11	SHORT CHIP 0		
3634		DIC2	RESISTOR		R1780	1-218-933-11	RES-CHIP 22 5% 1/16W		
3635		DIC2	RESISTOR		R1781	1-218-933-11	RES-CHIP 22 5% 1/16W		
3636		DIC2	RESISTOR		R1782	1-218-933-11	RES-CHIP 22 5% 1/16W		
3637		DIC2	RESISTOR		R1783	1-218-933-11	RES-CHIP 22 5% 1/16W		
3638		DIC2	RESISTOR		R1784	1-218-933-11	RES-CHIP 22 5% 1/16W		
3639		DIC2	RESISTOR		R1786	1-218-933-11	RES-CHIP 22 5% 1/16W		
3640		DIC2	RESISTOR		R1787	1-218-933-11	RES-CHIP 22 5% 1/16W		
3641		DIC2	RESISTOR		R1788	1-218-933-11	RES-CHIP 22 5% 1/16W		
3642		DIC2	RESISTOR		R1789	1-218-933-11	RES-CHIP 22 5% 1/16W		
3643		DIC2	RESISTOR		R1790	1-218-933-11	RES-CHIP 22 5% 1/16W		
3644		DIC2	RESISTOR		R1791	1-208-635-11	METAL CHIP 10 0.5% 1/16W		
3645		DIC2	RESISTOR		R1792	1-216-295-91	SHORT CHIP 0		
3646		DIC2	RESISTOR		R1793	1-216-295-91	SHORT CHIP 0		
3647		DIC2	RESISTOR		R1796	1-218-990-11	SHORT CHIP 0		
3648		DIC2	RESISTOR		R1797	1-218-990-11	SHORT CHIP 0		
3649		DIC2	RESISTOR		R1901	1-218-937-11	RES-CHIP 47 5% 1/16W		
3650		DIC2	RESISTOR		R1903	1-218-937-11	RES-CHIP 47 5% 1/16W		

No.	#	Board	Type	Δ /*	Ref. No.	Part No.	Description	Remarks-1	Remarks-2
3651		DIC2	RESISTOR		R1905	1-218-949-11	RES-CHIP 470 5% 1/16W		
3652		DIC2	RESISTOR		R1914	1-218-990-11	SHORT CHIP 0		
3653		DIC2	RESISTOR		R1915	1-218-941-81	RES-CHIP 100 5% 1/16W		
3654		DIC2	RESISTOR		R1918	1-218-941-81	RES-CHIP 100 5% 1/16W		
3655		DIC2	RESISTOR		R1919	1-218-957-11	RES-CHIP 2.2K 5% 1/16W		
3656		DIC2	RESISTOR		R1920	1-218-965-11	RES-CHIP 10K 5% 1/16W		
3657		DIC2	RESISTOR		R1921	1-218-957-11	RES-CHIP 2.2K 5% 1/16W		
3658		DIC2	RESISTOR		R1923	1-218-977-11	RES-CHIP 100K 5% 1/16W		
3659		DIC2	RESISTOR		R1924	1-218-977-11	RES-CHIP 100K 5% 1/16W		
3660		DIC2	RESISTOR		R1925	1-218-965-11	RES-CHIP 10K 5% 1/16W		
3661		DIC2	RESISTOR		R1926	1-218-990-11	SHORT CHIP 0		
3662		DIC2	RESISTOR		R1928	1-218-990-11	SHORT CHIP 0		
3663		DIC2	RESISTOR		R1929	1-218-965-11	RES-CHIP 10K 5% 1/16W		
3664		DIC2	RESISTOR		R1930	1-218-941-81	RES-CHIP 100 5% 1/16W		
3665		DIC2	RESISTOR		R1931	1-218-941-81	RES-CHIP 100 5% 1/16W		
3666		DIC2	RESISTOR		R1932	1-218-941-81	RES-CHIP 100 5% 1/16W		
3667		DIC2	RESISTOR		R1935	1-218-941-81	RES-CHIP 100 5% 1/16W		
3668		DIC2	RESISTOR		R1938	1-218-947-11	RES-CHIP 330 5% 1/16W		
3669		DIC2	RESISTOR		R1939	1-218-965-11	RES-CHIP 10K 5% 1/16W		
3670		DIC2	RESISTOR		R1944	1-216-295-91	SHORT CHIP 0		
3671		DIC2	RESISTOR		R1945	1-218-941-81	RES-CHIP 100 5% 1/16W		
3672		DIC2	RESISTOR		R1946	1-218-941-81	RES-CHIP 100 5% 1/16W		
3673		DIC2	RESISTOR		R1947	1-218-965-11	RES-CHIP 10K 5% 1/16W		
3674		DIC2	RESISTOR		R1948	1-218-965-11	RES-CHIP 10K 5% 1/16W		
3675		DIC2	RESISTOR		R1949	1-218-937-11	RES-CHIP 47 5% 1/16W		
3676		DIC2	RESISTOR		R1950	1-218-937-11	RES-CHIP 47 5% 1/16W		
3677		DIC2	RESISTOR		R1951	1-218-937-11	RES-CHIP 47 5% 1/16W		
3678		DIC2	RESISTOR		R1952	1-218-937-11	RES-CHIP 47 5% 1/16W		
3679		DIC2	RESISTOR		R1953	1-218-990-11	SHORT CHIP 0		
3680		DIC2	RESISTOR		R1954	1-218-990-11	SHORT CHIP 0		
3681		DIC2	RESISTOR		R1955	1-218-989-11	RES-CHIP 1M 5% 1/16W		
3682		DIC2	RESISTOR		R1956	1-218-989-11	RES-CHIP 1M 5% 1/16W		
3683		DIC2	RESISTOR		R1957	1-218-965-11	RES-CHIP 10K 5% 1/16W		
3684		DIC2	RESISTOR		R1958	1-208-697-11	METAL CHIP 3.9K 0.5% 1/16W		
3685		DIC2	RESISTOR		R1959	1-218-965-11	RES-CHIP 10K 5% 1/16W		
3686		DIC2	RESISTOR		R1960	1-208-697-11	METAL CHIP 3.9K 0.5% 1/16W		
3687		DIC2	RESISTOR		R1961	1-208-683-11	METAL CHIP 1K 0.5% 1/16W		
3688		DIC2	RESISTOR		R1962	1-218-959-11	RES-CHIP 3.3K 5% 1/16W		
3689		DIC2	RESISTOR		R1963	1-208-683-11	METAL CHIP 1K 0.5% 1/16W		
3690		DIC2	RESISTOR		R1964	1-218-959-11	RES-CHIP 3.3K 5% 1/16W		
3691		DIC2	RESISTOR		R1965	1-218-957-11	RES-CHIP 2.2K 5% 1/16W		
3692		DIC2	RESISTOR		R1966	1-218-957-11	RES-CHIP 2.2K 5% 1/16W		
3693		DIC2	RESISTOR		R1967	1-218-971-11	RES-CHIP 33K 5% 1/16W		
3694		DIC2	RESISTOR		R1968	1-218-971-11	RES-CHIP 33K 5% 1/16W		
3695		DIC2	RESISTOR		R1969	1-208-689-11	METAL CHIP 1.8K 0.5% 1/16W		
3696		DIC2	RESISTOR		R1970	1-208-689-11	METAL CHIP 1.8K 0.5% 1/16W		
3697		DIC2	RESISTOR		R1971	1-218-953-11	RES-CHIP 1K 5% 1/16W		
3698		DIC2	RESISTOR		R1972	1-218-937-11	RES-CHIP 47 5% 1/16W		
3699		DIC2	RESISTOR		R1973	1-218-937-11	RES-CHIP 47 5% 1/16W		
3700		DIC2	RESISTOR		R1974	1-218-953-11	RES-CHIP 1K 5% 1/16W		
3701		DIC2	NETWORK		RB1204	1-234-378-21	RES, NETWORK 10KX4 (1005)		
3702		DIC2	NETWORK		RB1205	1-234-795-21	RES, NETWORK 0X4 (2010)		
3703		DIC2	NETWORK		RB1206	1-234-372-21	RES, NETWORK 100X4 (1005)		
3704		DIC2	NETWORK		RB1207	1-234-372-21	RES, NETWORK 100X4 (1005)		
3705		DIC2	NETWORK		RB1208	1-234-372-21	RES, NETWORK 100X4 (1005)		
3706		DIC2	NETWORK		RB1209	1-234-795-21	RES, NETWORK 0X4 (2010)		
3707		DIC2	NETWORK		RB1210	1-234-372-21	RES, NETWORK 100X4 (1005)		
3708		DIC2	NETWORK		RB1211	1-234-795-21	RES, NETWORK 0X4 (2010)		
3709		DIC2	NETWORK		RB1212	1-234-372-21	RES, NETWORK 100X4 (1005)		
3710		DIC2	NETWORK		RB1213	1-234-372-21	RES, NETWORK 100X4 (1005)		
3711		DIC2	NETWORK		RB1214	1-234-372-21	RES, NETWORK 100X4 (1005)		
3712		DIC2	NETWORK		RB1215	1-234-372-21	RES, NETWORK 100X4 (1005)		
3713		DIC2	NETWORK		RB1216	1-234-369-21	RES, NETWORK 10X4 (1005)		
3714		DIC2	NETWORK		RB1217	1-234-369-21	RES, NETWORK 10X4 (1005)		
3715		DIC2	NETWORK		RB1218	1-234-369-21	RES, NETWORK 10X4 (1005)		
3716		DIC2	NETWORK		RB1219	1-234-369-21	RES, NETWORK 10X4 (1005)		
3717		DIC2	NETWORK		RB1221	1-234-371-21	RES, NETWORK 47X4 (1005)		
3718		DIC2	NETWORK		RB1222	1-234-371-21	RES, NETWORK 47X4 (1005)		
3719		DIC2	NETWORK		RB1223	1-234-371-21	RES, NETWORK 47X4 (1005)		
3720		DIC2	NETWORK		RB1224	1-234-371-21	RES, NETWORK 47X4 (1005)		
3721		DIC2	NETWORK		RB1225	1-234-371-21	RES, NETWORK 47X4 (1005)		
3722		DIC2	NETWORK		RB1226	1-234-372-21	RES, NETWORK 100X4 (1005)		
3723		DIC2	NETWORK		RB1404	1-234-379-21	RES, NETWORK 22KX4 (1005)		

No.	#	Board	Type	△/*	Ref. No.	Part No.	Description	Remarks-1	Remarks-2
3724		DIC2	NETWORK		RB1405	1-234-379-21	RES, NETWORK 22KX4 (1005)		
3725		DIC2	NETWORK		RB1406	1-234-379-21	RES, NETWORK 22KX4 (1005)		
3726		DIC2	NETWORK		RB1407	1-234-379-21	RES, NETWORK 22KX4 (1005)		
3727		DIC2	NETWORK		RB1408	1-234-378-21	RES, NETWORK 10KX4 (1005)		
3728		DIC2	NETWORK		RB1409	1-234-369-21	RES, NETWORK 10X4 (1005)		
3729		DIC2	NETWORK		RB1410	1-234-369-21	RES, NETWORK 10X4 (1005)		
3730		DIC2	NETWORK		RB1411	1-234-369-21	RES, NETWORK 10X4 (1005)		
3731		DIC2	NETWORK		RB1412	1-234-369-21	RES, NETWORK 10X4 (1005)		
3732		DIC2	NETWORK		RB1418	1-234-371-21	RES, NETWORK 47X4 (1005)		
3733		DIC2	NETWORK		RB1419	1-234-371-21	RES, NETWORK 47X4 (1005)		
3734		DIC2	NETWORK		RB1420	1-234-371-21	RES, NETWORK 47X4 (1005)		
3735		DIC2	NETWORK		RB1421	1-234-371-21	RES, NETWORK 47X4 (1005)		
3736		DIC2	NETWORK		RB1422	1-234-371-21	RES, NETWORK 47X4 (1005)		
3737		DIC2	NETWORK		RB1423	1-234-372-21	RES, NETWORK 100X4 (1005)		
3738		DIC2	NETWORK		RB1424	1-234-379-21	RES, NETWORK 22KX4 (1005)		
3739		DIC2	NETWORK		RB1425	1-234-379-21	RES, NETWORK 22KX4 (1005)		
3740		DIC2	NETWORK		RB1426	1-234-379-21	RES, NETWORK 22KX4 (1005)		
3741		DIC2	NETWORK		RB1427	1-234-379-21	RES, NETWORK 22KX4 (1005)		
3742		DIC2	NETWORK		RB1428	1-234-379-21	RES, NETWORK 22KX4 (1005)		
3743		DIC2	NETWORK		RB1429	1-234-379-21	RES, NETWORK 22KX4 (1005)		
3744		DIC2	NETWORK		RB1430	1-234-379-21	RES, NETWORK 22KX4 (1005)		
3745		DIC2	NETWORK		RB1431	1-234-379-21	RES, NETWORK 22KX4 (1005)		
3746		DIC2	NETWORK		RB1600	1-234-372-21	RES, NETWORK 100X4 (1005)		
3747		DIC2	NETWORK		RB1601	1-234-372-21	RES, NETWORK 100X4 (1005)		
3748		DIC2	NETWORK		RB1602	1-234-372-21	RES, NETWORK 100X4 (1005)		
3749		DIC2	NETWORK		RB1603	1-234-372-21	RES, NETWORK 100X4 (1005)		
3750		DIC2	NETWORK		RB1604	1-234-372-21	RES, NETWORK 100X4 (1005)		
3751		DIC2	NETWORK		RB1605	1-234-372-21	RES, NETWORK 100X4 (1005)		
3752		DIC2	NETWORK		RB1606	1-234-372-21	RES, NETWORK 100X4 (1005)		
3753		DIC2	NETWORK		RB1607	1-234-372-21	RES, NETWORK 100X4 (1005)		
3754		DIC2	NETWORK		RB1608	1-234-372-21	RES, NETWORK 100X4 (1005)		
3755		DIC2	NETWORK		RB1609	1-234-372-21	RES, NETWORK 100X4 (1005)		
3756		DIC2	NETWORK		RB1610	1-234-372-21	RES, NETWORK 100X4 (1005)		
3757		DIC2	NETWORK		RB1700	1-234-370-21	RES, NETWORK 22X4 (1005)		
3758		DIC2	NETWORK		RB1701	1-234-370-21	RES, NETWORK 22X4 (1005)		
3759		DIC2	NETWORK		RB1702	1-234-370-21	RES, NETWORK 22X4 (1005)		
3760		DIC2	NETWORK		RB1703	1-234-370-21	RES, NETWORK 22X4 (1005)		
3761		DIC2	NETWORK		RB1704	1-234-378-21	RES, NETWORK 10KX4 (1005)		
3762		DIC2	NETWORK		RB1705	1-234-378-21	RES, NETWORK 10KX4 (1005)		
3763		DIC2	NETWORK		RB1706	1-234-378-21	RES, NETWORK 10KX4 (1005)		
3764		DIC2	NETWORK		RB1707	1-234-378-21	RES, NETWORK 10KX4 (1005)		
3765		DIC2	NETWORK		RB1708	1-234-378-21	RES, NETWORK 10KX4 (1005)		
3766		DIC2	NETWORK		RB1709	1-234-378-21	RES, NETWORK 10KX4 (1005)		
3767		DIC2	NETWORK		RB1710	1-234-370-21	RES, NETWORK 22X4 (1005)		
3768		DIC2	NETWORK		RB1711	1-234-370-21	RES, NETWORK 22X4 (1005)		
3769		DIC2	NETWORK		RB1900	1-234-371-21	RES, NETWORK 47X4 (1005)		
3770		DIC2	NETWORK		RB1901	1-234-371-21	RES, NETWORK 47X4 (1005)		
3771		DIC2	CRYSTAL		X1200	1-795-951-21	QUARTZ CRYSTAL OSCILLATOR(SMD)		
3772		DIC2	CRYSTAL		X1700	1-795-951-21	QUARTZ CRYSTAL OSCILLATOR(SMD)		
3773		DIC2	CRYSTAL		X1702	1-813-114-21	VIBRATOR, CRYSTAL		
3774		DIC2	CRYSTAL		X1900	1-781-945-21	VIBRATOR, CERAMIC		
3775		DIC2	CRYSTAL		X1901	1-795-244-11	VIBRATOR, CERAMIC		
3776		DIC2	CRYSTAL		X1902	1-795-244-11	VIBRATOR, CERAMIC		
3777		IF	CONNECTOR		CN9851	1-817-900-11	CONNECTOR, BOARD TO BOARD 100P		
3778		QT	CAPACITOR		C7901	1-104-662-91	ELECT 22UF 20.00% 25V		
3779		QT	CAPACITOR		C7902	1-162-995-11	CERAMIC CHIP 0.022UF 50V		
3780		QT	CAPACITOR		C7903	1-162-995-11	CERAMIC CHIP 0.022UF 50V		
3781		QT	CAPACITOR		C7904	1-126-963-11	ELECT 4.7UF 20.00% 50V		
3782		QT	CAPACITOR		C7905	1-115-339-11	CERAMIC CHIP 0.1UF 10.00% 50V		
3783		QT	CAPACITOR		C7906	1-126-964-11	ELECT 10UF 20.00% 50V		
3784		QT	CAPACITOR		C7907	1-126-933-11	ELECT 100UF 20.00% 16V		
3785		QT	CAPACITOR		C7908	1-126-933-11	ELECT 100UF 20.00% 16V		
3786		QT	CAPACITOR		C7909	1-126-925-91	ELECT 470UF 20.00% 10V		
3787		QT	CAPACITOR		C7910	1-126-964-11	ELECT 10UF 20.00% 50V		
3788		QT	CAPACITOR		C7911	1-126-933-11	ELECT 100UF 20.00% 16V		
3789		QT	CAPACITOR		C7912	1-164-156-11	CERAMIC CHIP 0.1UF 25V		
3790		QT	CAPACITOR		C7913	1-164-156-11	CERAMIC CHIP 0.1UF 25V		
3791		QT	CAPACITOR		C7914	1-164-156-11	CERAMIC CHIP 0.1UF 25V		
3792		QT	CAPACITOR		C7915	1-115-339-11	CERAMIC CHIP 0.1UF 10.00% 50V		
3793		QT	CAPACITOR		C7916	1-164-156-11	CERAMIC CHIP 0.1UF 25V		
3794		QT	CAPACITOR		C7917	1-126-947-11	ELECT 47UF 20.00% 35V		
3795		QT	CAPACITOR		C7918	1-164-156-11	CERAMIC CHIP 0.1UF 25V		
3796		QT	CAPACITOR		C7923	1-164-156-11	CERAMIC CHIP 0.1UF 25V		

No.	#	Board	Type	△/*	Ref. No.	Part No.	Description	Remarks-1	Remarks-2
3797		QT	CAPACITOR		C7924	1-164-156-11	CERAMIC CHIP 0.1UF 25V		
3798		QT	CAPACITOR		C7925	1-164-156-11	CERAMIC CHIP 0.1UF 25V		
3799		QT	CAPACITOR		C7926	1-104-665-11	ELECT 100UF 20.00% 25V		
3800		QT	CAPACITOR		C7927	1-164-156-11	CERAMIC CHIP 0.1UF 25V		
3801		QT	CAPACITOR		C7928	1-127-692-11	CERAMIC CHIP 10UF 10% 16V		
3802		QT	CAPACITOR		C7929	1-104-662-91	ELECT 22UF 20.00% 25V		
3803		QT	CAPACITOR		C7930	1-164-156-11	CERAMIC CHIP 0.1UF 25V		
3804		QT	CAPACITOR		C7931	1-164-156-11	CERAMIC CHIP 0.1UF 25V		
3805		QT	CAPACITOR		C7932	1-162-970-11	CERAMIC CHIP 0.01UF 10.00% 25V		
3806		QT	CAPACITOR		C7933	1-164-156-11	CERAMIC CHIP 0.1UF 25V		
3807		QT	CONNECTOR	*	CN7900	1-817-700-11	CONNECTOR, BOARD TO BOARD 24P		
3808		QT	CONNECTOR		CN7902	6-600-234-01	IC GP1FA313TZ0F		
3809		QT	DIODE		D7900	8-719-046-91	DIODE MA2S111		
3810		QT	DIODE		D7901	8-719-066-99	DIODE SML-210VTT86		
3811		QT	DIODE		D7902	8-719-060-99	DIODE SML-210MT-T86		
3812		QT	FERRITE BEAD		FB7900	1-414-135-11	FERRITE 0UH		
3813		QT	FERRITE BEAD		FB7901	1-414-135-11	FERRITE 0UH		
3814		QT	FERRITE BEAD		FB7903	1-469-835-21	FERRITE 0UH		
3815		QT	FERRITE BEAD		FB7904	1-414-135-11	FERRITE 0UH		
3816		QT	FERRITE BEAD		FB7905	1-216-864-11	SHORT CHIP 0		
3817		QT	IC		IC7900	8-749-925-00	IC TK11819MTL		
3818		QT	IC		IC7903	8-759-832-05	IC BA18BC0FP-E2		
3819		QT	IC		IC7904	8-759-475-12	IC TC74LCX08F(EL)		
3820		QT	COIL		L7901	1-414-755-11	INDUCTOR 22UH		
3821		QT	COIL		L7902	1-410-120-11	INDUCTOR 1.2MH		
3822		QT	COIL		L7903	1-408-615-31	INDUCTOR 100UH		
3823		QT	COIL		L7904	1-414-754-11	INDUCTOR 10UH		
3824		QT	COIL		L7905	1-414-754-11	INDUCTOR 10UH		
3825		QT	COIL		L7906	1-414-754-11	INDUCTOR 10UH		
3826		QT	COIL		L7907	1-414-754-11	INDUCTOR 10UH		
3827		QT	COIL		L7908	1-414-754-11	INDUCTOR 10UH		
3828		QT	TRANSISTOR		Q7900	8-719-012-57	DIODE UZ-2.0BS-TP		
3829		QT	TRANSISTOR		Q7901	8-719-012-57	DIODE UZ-2.0BS-TP		
3830		QT	TRANSISTOR		Q7902	8-729-037-52	TRANSISTOR 2SD2216J-QR(TX).SO		
3831		QT	TRANSISTOR		Q7903	8-729-037-52	TRANSISTOR 2SD2216J-QR(TX).SO		
3832		QT	RESISTOR		R7900	1-216-821-11	METAL CHIP 1K 5% 1/10W		
3833		QT	RESISTOR		R7901	1-216-845-11	METAL CHIP 100K 5% 1/10W		
3834		QT	RESISTOR		R7902	1-216-821-11	METAL CHIP 1K 5% 1/10W		
3835		QT	RESISTOR		R7903	1-216-864-11	SHORT CHIP 0		
3836		QT	RESISTOR		R7904	1-216-864-11	SHORT CHIP 0		
3837		QT	RESISTOR		R7907	1-216-833-11	METAL CHIP 10K 5% 1/10W		
3838		QT	RESISTOR		R7908	1-216-833-11	METAL CHIP 10K 5% 1/10W		
3839		QT	RESISTOR		R7909	1-216-833-11	METAL CHIP 10K 5% 1/10W		
3840		QT	RESISTOR		R7910	1-216-833-11	METAL CHIP 10K 5% 1/10W		
3841		QT	RESISTOR		R7927	1-216-801-11	METAL CHIP 22 5% 1/10W		
3842		QT	RESISTOR		R7928	1-216-801-11	METAL CHIP 22 5% 1/10W		
3843		QT	RESISTOR		R7930	1-216-801-11	METAL CHIP 22 5% 1/10W		
3844		QT	RESISTOR		R7931	1-216-809-11	METAL CHIP 100 5% 1/10W		
3845		QT	RESISTOR		R7932	1-216-809-11	METAL CHIP 100 5% 1/10W		
3846		QT	RESISTOR		R7934	1-216-801-11	METAL CHIP 22 5% 1/10W		
3847		QT	RESISTOR		R7935	1-216-801-11	METAL CHIP 22 5% 1/10W		
3848		QT	RESISTOR		R7936	1-216-817-11	METAL CHIP 470 5% 1/10W		
3849		QT	RESISTOR		R7937	1-216-841-11	METAL CHIP 47K 5% 1/10W		
3850		QT	RESISTOR		R7938	1-216-817-11	METAL CHIP 470 5% 1/10W		
3851		QT	RESISTOR		R7939	1-216-829-11	METAL CHIP 4.7K 5% 1/10W		
3852		QT	RESISTOR		R7940	1-216-817-11	METAL CHIP 470 5% 1/10W		
3853		QT	RESISTOR		R7941	1-216-805-11	METAL CHIP 47 5% 1/10W		
3854		QT	RESISTOR		R7943	1-216-805-11	METAL CHIP 47 5% 1/10W		
3855		QT	RESISTOR		R7944	1-216-805-11	METAL CHIP 47 5% 1/10W		
3856		QT	RESISTOR		R7945	1-216-809-11	METAL CHIP 100 5% 1/10W		
3857		QT	RESISTOR		R7947	1-216-864-11	SHORT CHIP 0		
3858		QT	RESISTOR		R7948	1-216-864-11	SHORT CHIP 0		
3859		QT	RESISTOR		R7949	1-216-864-11	SHORT CHIP 0		
3860		QT	RESISTOR		R7950	1-216-864-11	SHORT CHIP 0		
3861		QT	TUNER		TU7900	8-598-647-00	TUNER UNIT,DIGITAL BTD-UA402SC		
3862		QI	CAPACITOR		C601	1-165-845-21	TANTAL. CHIP 47UF 20% 6.3V		
3863		QI	CAPACITOR		C602	1-164-156-11	CERAMIC CHIP 0.1UF 25V		
3864		QI	CAPACITOR		C603	1-165-845-21	TANTAL. CHIP 47UF 20% 6.3V		
3865		QI	CAPACITOR		C604	1-165-989-11	CERAMIC CHIP 10UF 10% 6.3V		
3866		QI	CAPACITOR		C605	1-165-845-21	TANTAL. CHIP 47UF 20% 6.3V		
3867		QI	CAPACITOR		C606	1-164-156-11	CERAMIC CHIP 0.1UF 25V		
3868		QI	CAPACITOR		C607	1-162-974-11	CERAMIC CHIP 0.01UF 50V		
3869		QI	CAPACITOR		C608	1-164-156-11	CERAMIC CHIP 0.1UF 25V		

No.	#	Board	Type	Δ /*	Ref. No.	Part No.	Description	Remarks-1	Remarks-2
3870		QI	CAPACITOR		C609	1-100-566-91	CERAMIC CHIP 0.1UF 10.00% 25V		
3871		QI	CAPACITOR		C610	1-164-156-11	CERAMIC CHIP 0.1UF 25V		
3872		QI	CAPACITOR		C611	1-164-156-11	CERAMIC CHIP 0.1UF 25V		
3873		QI	CAPACITOR		C612	1-164-156-11	CERAMIC CHIP 0.1UF 25V		
3874		QI	CAPACITOR		C613	1-164-156-11	CERAMIC CHIP 0.1UF 25V		
3875		QI	CAPACITOR		C614	1-100-566-91	CERAMIC CHIP 0.1UF 10.00% 25V		
3876		QI	CAPACITOR		C615	1-164-156-11	CERAMIC CHIP 0.1UF 25V		
3877		QI	CAPACITOR		C616	1-164-156-11	CERAMIC CHIP 0.1UF 25V		
3878		QI	CAPACITOR		C617	1-164-156-11	CERAMIC CHIP 0.1UF 25V		
3879		QI	CAPACITOR		C618	1-164-156-11	CERAMIC CHIP 0.1UF 25V		
3880		QI	CAPACITOR		C619	1-164-156-11	CERAMIC CHIP 0.1UF 25V		
3881		QI	CAPACITOR		C620	1-164-156-11	CERAMIC CHIP 0.1UF 25V		
3882		QI	CAPACITOR		C621	1-165-989-11	CERAMIC CHIP 10UF 10% 6.3V		
3883		QI	CAPACITOR		C702	1-164-156-11	CERAMIC CHIP 0.1UF 25V		
3884		QI	CAPACITOR		C703	1-164-156-11	CERAMIC CHIP 0.1UF 25V		
3885		QI	CAPACITOR		C704	1-164-156-11	CERAMIC CHIP 0.1UF 25V		
3886		QI	CAPACITOR		C705	1-164-156-11	CERAMIC CHIP 0.1UF 25V		
3887		QI	CAPACITOR		C706	1-164-156-11	CERAMIC CHIP 0.1UF 25V		
3888		QI	CAPACITOR		C707	1-164-156-11	CERAMIC CHIP 0.1UF 25V		
3889		QI	CAPACITOR		C708	1-164-156-11	CERAMIC CHIP 0.1UF 25V		
3890		QI	CAPACITOR		C709	1-162-915-11	CERAMIC CHIP 10PF 0.50PF 50V		
3891		QI	CAPACITOR		C710	1-162-915-11	CERAMIC CHIP 10PF 0.50PF 50V		
3892		QI	CAPACITOR		C711	1-162-915-11	CERAMIC CHIP 10PF 0.50PF 50V		
3893		QI	CAPACITOR		C712	1-162-915-11	CERAMIC CHIP 10PF 0.50PF 50V		
3894		QI	CAPACITOR		C713	1-162-915-11	CERAMIC CHIP 10PF 0.50PF 50V		
3895		QI	CAPACITOR		C714	1-162-915-11	CERAMIC CHIP 10PF 0.50PF 50V		
3896		QI	CAPACITOR		C715	1-162-915-11	CERAMIC CHIP 10PF 0.50PF 50V		
3897		QI	CAPACITOR		C716	1-162-915-11	CERAMIC CHIP 10PF 0.50PF 50V		
3898		QI	CAPACITOR		C717	1-162-915-11	CERAMIC CHIP 10PF 0.50PF 50V		
3899		QI	CAPACITOR		C718	1-162-915-11	CERAMIC CHIP 10PF 0.50PF 50V		
3900		QI	CAPACITOR		C719	1-162-915-11	CERAMIC CHIP 10PF 0.50PF 50V		
3901		QI	CAPACITOR		C720	1-162-915-11	CERAMIC CHIP 10PF 0.50PF 50V		
3902		QI	CAPACITOR		C721	1-162-915-11	CERAMIC CHIP 10PF 0.50PF 50V		
3903		QI	CAPACITOR		C722	1-162-915-11	CERAMIC CHIP 10PF 0.50PF 50V		
3904		QI	CAPACITOR		C723	1-162-915-11	CERAMIC CHIP 10PF 0.50PF 50V		
3905		QI	CAPACITOR		C724	1-162-915-11	CERAMIC CHIP 10PF 0.50PF 50V		
3906		QI	CAPACITOR		C725	1-162-964-11	CERAMIC CHIP 0.001UF 10.00% 50V		
3907		QI	CAPACITOR		C726	1-107-826-11	CERAMIC CHIP 0.1UF 10.00% 16V		
3908		QI	CAPACITOR		C727	1-162-974-11	CERAMIC CHIP 0.01UF 50V		
3909		QI	CAPACITOR		C728	1-164-156-11	CERAMIC CHIP 0.1UF 25V		
3910		QI	CAPACITOR		C729	1-164-156-11	CERAMIC CHIP 0.1UF 25V		
3911		QI	CAPACITOR		C730	1-162-974-11	CERAMIC CHIP 0.01UF 50V		
3912		QI	CAPACITOR		C731	1-162-915-11	CERAMIC CHIP 10PF 0.50PF 50V		
3913		QI	CAPACITOR		C732	1-162-974-11	CERAMIC CHIP 0.01UF 50V		
3914		QI	CAPACITOR		C733	1-162-915-11	CERAMIC CHIP 10PF 0.50PF 50V		
3915		QI	CAPACITOR		C734	1-165-989-11	CERAMIC CHIP 10UF 10% 6.3V		
3916		QI	CAPACITOR		C735	1-165-989-11	CERAMIC CHIP 10UF 10% 6.3V		
3917		QI	CAPACITOR		C736	1-162-974-11	CERAMIC CHIP 0.01UF 50V		
3918		QI	CAPACITOR		C737	1-162-970-11	CERAMIC CHIP 0.01UF 10.00% 25V		
3919		QI	CAPACITOR		C738	1-164-156-11	CERAMIC CHIP 0.1UF 25V		
3920		QI	CAPACITOR		C739	1-115-416-11	CERAMIC CHIP 0.001UF 5.00% 25V		
3921		QI	CAPACITOR		C740	1-115-416-11	CERAMIC CHIP 0.001UF 5.00% 25V		
3922		QI	CAPACITOR		C741	1-115-416-11	CERAMIC CHIP 0.001UF 5.00% 25V		
3923		QI	CAPACITOR		C742	1-125-838-11	CERAMIC CHIP 2.2UF 10% 6.3V		
3924		QI	CAPACITOR		C743	1-125-838-11	CERAMIC CHIP 2.2UF 10% 6.3V		
3925		QI	CAPACITOR		C744	1-125-838-11	CERAMIC CHIP 2.2UF 10% 6.3V		
3926		QI	CAPACITOR		C745	1-164-388-91	CERAMIC CHIP 270PF 5.00% 50V		
3927		QI	CAPACITOR		C746	1-164-156-11	CERAMIC CHIP 0.1UF 25V		
3928		QI	CAPACITOR		C747	1-164-388-91	CERAMIC CHIP 270PF 5.00% 50V		
3929		QI	CAPACITOR		C748	1-164-156-11	CERAMIC CHIP 0.1UF 25V		
3930		QI	CAPACITOR		C749	1-164-388-91	CERAMIC CHIP 270PF 5.00% 50V		
3931		QI	CAPACITOR		C750	1-164-156-11	CERAMIC CHIP 0.1UF 25V		
3932		QI	CAPACITOR		C803	1-164-156-11	CERAMIC CHIP 0.1UF 25V		
3933		QI	CAPACITOR		C804	1-164-156-11	CERAMIC CHIP 0.1UF 25V		
3934		QI	CAPACITOR		C805	1-164-156-11	CERAMIC CHIP 0.1UF 25V		
3935		QI	CAPACITOR		C806	1-164-156-11	CERAMIC CHIP 0.1UF 25V		
3936		QI	CAPACITOR		C807	1-164-156-11	CERAMIC CHIP 0.1UF 25V		
3937		QI	CAPACITOR		C808	1-164-156-11	CERAMIC CHIP 0.1UF 25V		
3938		QI	CAPACITOR		C809	1-164-156-11	CERAMIC CHIP 0.1UF 25V		
3939		QI	CAPACITOR		C810	1-164-156-11	CERAMIC CHIP 0.1UF 25V		
3940		QI	CAPACITOR		C811	1-164-156-11	CERAMIC CHIP 0.1UF 25V		
3941		QI	CAPACITOR		C812	1-164-156-11	CERAMIC CHIP 0.1UF 25V		
3942		QI	CAPACITOR		C813	1-164-156-11	CERAMIC CHIP 0.1UF 25V		

No.	#	Board	Type	△/*	Ref. No.	Part No.	Description	Remarks-1	Remarks-2
3943		QI	CAPACITOR		C814	1-164-156-11	CERAMIC CHIP 0.1UF 25V		
3944		QI	CAPACITOR		C815	1-164-156-11	CERAMIC CHIP 0.1UF 25V		
3945		QI	CAPACITOR		C816	1-164-156-11	CERAMIC CHIP 0.1UF 25V		
3946		QI	CAPACITOR		C817	1-164-156-11	CERAMIC CHIP 0.1UF 25V		
3947		QI	CAPACITOR		C818	1-164-156-11	CERAMIC CHIP 0.1UF 25V		
3948		QI	CAPACITOR		C819	1-165-989-11	CERAMIC CHIP 10UF 10% 6.3V		
3949		QI	CAPACITOR		C820	1-165-989-11	CERAMIC CHIP 10UF 10% 6.3V		
3950		QI	CAPACITOR		C821	1-162-974-11	CERAMIC CHIP 0.01UF 50V		
3951		QI	CAPACITOR		C822	1-164-156-11	CERAMIC CHIP 0.1UF 25V		
3952		QI	CAPACITOR		C823	1-162-974-11	CERAMIC CHIP 0.01UF 50V		
3953		QI	CAPACITOR		C824	1-125-837-91	CERAMIC CHIP 1UF 10% 6.3V		
3954		QI	CAPACITOR		C825	1-164-156-11	CERAMIC CHIP 0.1UF 25V		
3955		QI	CAPACITOR		C826	1-164-156-11	CERAMIC CHIP 0.1UF 25V		
3956		QI	CAPACITOR		C828	1-164-156-11	CERAMIC CHIP 0.1UF 25V		
3957		QI	CAPACITOR		C829	1-162-927-11	CERAMIC CHIP 100PF 5.00% 50V		
3958		QI	CAPACITOR		C830	1-162-927-11	CERAMIC CHIP 100PF 5.00% 50V		
3959		QI	CAPACITOR		C832	1-162-971-11	CERAMIC CHIP 0.001UF 10.00% 50V		
3960		QI	CAPACITOR		C833	1-162-927-11	CERAMIC CHIP 100PF 5.00% 50V		
3961		QI	CAPACITOR		C834	1-162-927-11	CERAMIC CHIP 100PF 5.00% 50V		
3962		QI	CAPACITOR		C835	1-164-156-11	CERAMIC CHIP 0.1UF 25V		
3963		QI	CAPACITOR		C836	1-164-156-11	CERAMIC CHIP 0.1UF 25V		
3964		QI	CAPACITOR		C837	1-107-826-11	CERAMIC CHIP 0.1UF 10.00% 16V		
3965		QI	CAPACITOR		C838	1-164-156-11	CERAMIC CHIP 0.1UF 25V		
3966		QI	CAPACITOR		C839	1-164-156-11	CERAMIC CHIP 0.1UF 25V		
3967		QI	CAPACITOR		C840	1-107-826-11	CERAMIC CHIP 0.1UF 10.00% 16V		
3968		QI	CAPACITOR		C841	1-107-826-11	CERAMIC CHIP 0.1UF 10.00% 16V		
3969		QI	CONNECTOR	*	CN602	1-817-738-11	CONNECTOR, BOARD TO BOARD 80P		
3970		QI	CONNECTOR	*	CN701	1-817-737-11	CONNECTOR, BOARD TO BOARD 40P		
3971		QI	CONNECTOR		CN702	1-815-033-21	CONNECTOR, I LINK(FLANGE TYPE)		
3972		QI	CONNECTOR	*	CN703	1-815-164-21	CONNECTOR, I LINK(FLANGE TYPE)		
3973		QI	CONNECTOR	*	CN704	1-815-164-21	CONNECTOR, I LINK(FLANGE TYPE)		
3974		QI	DIODE		D701	8-719-421-71	DIODE MA132WA		
3975		QI	DIODE		D702	8-719-421-71	DIODE MA132WA		
3976		QI	DIODE		D703	8-719-421-71	DIODE MA132WA		
3977		QI	FERRITE BEAD		FB601	1-469-835-21	FERRITE 0UH		
3978		QI	FERRITE BEAD		FB602	1-469-835-21	FERRITE 0UH		
3979		QI	FERRITE BEAD		FB801	1-469-835-21	FERRITE 0UH		
3980		QI	FERRITE BEAD		FB802	1-469-835-21	FERRITE 0UH		
3981		QI	IC		IC601	6-702-958-01	IC CXD9740GA		
3982		QI	IC		IC602	8-759-832-05	IC BA18BC0FP-E2		
3983		QI	IC		IC703	6-705-722-01	IC MT48LC8M16A2TG-75-Y15WTR		
3984		QI	IC		IC704	6-704-487-01	IC TC74LVX74FT(EL)		
3985		QI	IC		IC802	6-704-488-01	IC UPD72894GD-LML-A		
3986		QI	IC		IC803	8-759-031-84	IC SC7S04F		
3987		QI	IC		IC804	8-759-031-84	IC SC7S04F		
3988		QI	IC		IC805	6-702-552-01	IC BU2374FV-E2		
3989		QI	IC		IC807	6-704-285-01	IC IC42S16101-7TG(T&R)		
3990		QI	IC		IC808	6-704-487-01	IC TC74LVX74FT(EL)		
3991		QI	COIL		L601	1-414-394-11	INDUCTOR 2.2UH		
3992		QI	COIL		L701	1-414-394-11	INDUCTOR 2.2UH		
3993		QI	COIL		L702	1-216-296-11	SHORT CHIP 0		
3994		QI	COIL		L703	1-781-667-22	INDUCTOR 0UH		
3995		QI	COIL		L704	1-781-667-22	INDUCTOR 0UH		
3996		QI	COIL		L705	1-781-667-22	INDUCTOR 0UH		
3997		QI	COIL		L706	1-781-667-22	INDUCTOR 0UH		
3998		QI	COIL		L707	1-781-667-22	INDUCTOR 0UH		
3999		QI	COIL		L708	1-781-667-22	INDUCTOR 0UH		
4000		QI	COIL		L801	1-414-394-11	INDUCTOR 2.2UH		
4001		QI	RESISTOR		R601	1-216-801-11	METAL CHIP 22 5% 1/10W		
4002		QI	RESISTOR		R602	1-216-801-11	METAL CHIP 22 5% 1/10W		
4003		QI	RESISTOR		R603	1-216-801-11	METAL CHIP 22 5% 1/10W		
4004		QI	RESISTOR		R604	1-216-801-11	METAL CHIP 22 5% 1/10W		
4005		QI	RESISTOR		R605	1-216-801-11	METAL CHIP 22 5% 1/10W		
4006		QI	RESISTOR		R606	1-216-801-11	METAL CHIP 22 5% 1/10W		
4007		QI	RESISTOR		R607	1-216-801-11	METAL CHIP 22 5% 1/10W		
4008		QI	RESISTOR		R608	1-216-845-11	METAL CHIP 100K 5% 1/10W		
4009		QI	RESISTOR		R609	1-216-833-11	METAL CHIP 10K 5% 1/10W		
4010		QI	RESISTOR		R610	1-216-833-11	METAL CHIP 10K 5% 1/10W		
4011		QI	RESISTOR		R611	1-216-833-11	METAL CHIP 10K 5% 1/10W		
4012		QI	RESISTOR		R612	1-216-833-11	METAL CHIP 10K 5% 1/10W		
4013		QI	RESISTOR		R613	1-216-833-11	METAL CHIP 10K 5% 1/10W		
4014		QI	RESISTOR		R614	1-216-845-11	METAL CHIP 100K 5% 1/10W		
4015		QI	RESISTOR		R616	1-216-845-11	METAL CHIP 100K 5% 1/10W		

No.	#	Board	Type	△/*	Ref. No.	Part No.	Description	Remarks-1	Remarks-2
4016		QI	RESISTOR		R617	1-216-833-11	METAL CHIP 10K 5% 1/10W		
4017		QI	RESISTOR		R618	1-216-833-11	METAL CHIP 10K 5% 1/10W		
4018		QI	RESISTOR		R619	1-216-864-11	SHORT CHIP 0		
4019		QI	RESISTOR		R620	1-216-864-11	SHORT CHIP 0		
4020		QI	RESISTOR		R621	1-216-833-11	METAL CHIP 10K 5% 1/10W		
4021		QI	RESISTOR		R622	1-216-833-11	METAL CHIP 10K 5% 1/10W		
4022		QI	RESISTOR		R623	1-216-833-11	METAL CHIP 10K 5% 1/10W		
4023		QI	RESISTOR		R624	1-216-833-11	METAL CHIP 10K 5% 1/10W		
4024		QI	RESISTOR		R625	1-216-833-11	METAL CHIP 10K 5% 1/10W		
4025		QI	RESISTOR		R627	1-216-833-11	METAL CHIP 10K 5% 1/10W		
4026		QI	RESISTOR		R701	1-216-833-11	METAL CHIP 10K 5% 1/10W		
4027		QI	RESISTOR		R702	1-216-801-11	METAL CHIP 22 5% 1/10W		
4028		QI	RESISTOR		R704	1-216-801-11	METAL CHIP 22 5% 1/10W		
4029		QI	RESISTOR		R707	1-216-801-11	METAL CHIP 22 5% 1/10W		
4030		QI	RESISTOR		R708	1-218-672-11	METAL CHIP 150 0.5% 1/10W		
4031		QI	RESISTOR		R709	1-216-801-11	METAL CHIP 22 5% 1/10W		
4032		QI	RESISTOR		R710	1-218-711-11	METAL CHIP 6.2K 0.5% 1/10W		
4033		QI	RESISTOR		R711	1-216-801-11	METAL CHIP 22 5% 1/10W		
4034		QI	RESISTOR		R712	1-216-801-11	METAL CHIP 22 5% 1/10W		
4035		QI	RESISTOR		R713	1-216-801-11	METAL CHIP 22 5% 1/10W		
4036		QI	RESISTOR		R714	1-218-662-11	METAL CHIP 56 0.5% 1/10W		
4037		QI	RESISTOR		R715	1-218-662-11	METAL CHIP 56 0.5% 1/10W		
4038		QI	RESISTOR		R716	1-218-662-11	METAL CHIP 56 0.5% 1/10W		
4039		QI	RESISTOR		R717	1-218-662-11	METAL CHIP 56 0.5% 1/10W		
4040		QI	RESISTOR		R719	1-218-662-11	METAL CHIP 56 0.5% 1/10W		
4041		QI	RESISTOR		R721	1-218-662-11	METAL CHIP 56 0.5% 1/10W		
4042		QI	RESISTOR		R723	1-216-857-11	METAL CHIP 1M 5% 1/10W		
4043		QI	RESISTOR		R724	1-216-857-11	METAL CHIP 1M 5% 1/10W		
4044		QI	RESISTOR		R725	1-216-857-11	METAL CHIP 1M 5% 1/10W		
4045		QI	RESISTOR		R726	1-218-662-11	METAL CHIP 56 0.5% 1/10W		
4046		QI	RESISTOR		R727	1-218-662-11	METAL CHIP 56 0.5% 1/10W		
4047		QI	RESISTOR		R728	1-218-662-11	METAL CHIP 56 0.5% 1/10W		
4048		QI	RESISTOR		R729	1-218-662-11	METAL CHIP 56 0.5% 1/10W		
4049		QI	RESISTOR		R730	1-218-709-11	METAL CHIP 5.1K 0.5% 1/10W		
4050		QI	RESISTOR		R731	1-218-662-11	METAL CHIP 56 0.5% 1/10W		
4051		QI	RESISTOR		R732	1-218-709-11	METAL CHIP 5.1K 0.5% 1/10W		
4052		QI	RESISTOR		R733	1-218-662-11	METAL CHIP 56 0.5% 1/10W		
4053		QI	RESISTOR		R734	1-218-709-11	METAL CHIP 5.1K 0.5% 1/10W		
4054		QI	RESISTOR		R735	1-216-864-11	SHORT CHIP 0		
4055		QI	RESISTOR		R736	1-216-864-11	SHORT CHIP 0		
4056		QI	RESISTOR		R737	1-216-864-11	SHORT CHIP 0		
4057		QI	RESISTOR		R801	1-216-833-11	METAL CHIP 10K 5% 1/10W		
4058		QI	RESISTOR		R802	1-216-833-11	METAL CHIP 10K 5% 1/10W		
4059		QI	RESISTOR		R803	1-216-833-11	METAL CHIP 10K 5% 1/10W		
4060		QI	RESISTOR		R804	1-216-833-11	METAL CHIP 10K 5% 1/10W		
4061		QI	RESISTOR		R805	1-216-864-11	SHORT CHIP 0		
4062		QI	RESISTOR		R806	1-216-833-11	METAL CHIP 10K 5% 1/10W		
4063		QI	RESISTOR		R807	1-216-833-11	METAL CHIP 10K 5% 1/10W		
4064		QI	RESISTOR		R808	1-216-833-11	METAL CHIP 10K 5% 1/10W		
4065		QI	RESISTOR		R809	1-216-833-11	METAL CHIP 10K 5% 1/10W		
4066		QI	RESISTOR		R810	1-216-809-11	METAL CHIP 100 5% 1/10W		
4067		QI	RESISTOR		R811	1-216-833-11	METAL CHIP 10K 5% 1/10W		
4068		QI	RESISTOR		R812	1-216-864-11	SHORT CHIP 0		
4069		QI	RESISTOR		R813	1-216-833-11	METAL CHIP 10K 5% 1/10W		
4070		QI	RESISTOR		R814	1-216-833-11	METAL CHIP 10K 5% 1/10W		
4071		QI	RESISTOR		R815	1-216-833-11	METAL CHIP 10K 5% 1/10W		
4072		QI	RESISTOR		R816	1-216-803-11	METAL CHIP 33 5% 1/10W		
4073		QI	RESISTOR		R817	1-216-833-11	METAL CHIP 10K 5% 1/10W		
4074		QI	RESISTOR		R818	1-216-801-11	METAL CHIP 22 5% 1/10W		
4075		QI	RESISTOR		R820	1-216-803-11	METAL CHIP 33 5% 1/10W		
4076		QI	RESISTOR		R821	1-218-699-11	METAL CHIP 2K 0.5% 1/10W		
4077		QI	RESISTOR		R822	1-216-803-11	METAL CHIP 33 5% 1/10W		
4078		QI	RESISTOR		R823	1-216-841-11	METAL CHIP 47K 5% 1/10W		
4079		QI	RESISTOR		R824	1-216-833-11	METAL CHIP 10K 5% 1/10W		
4080		QI	RESISTOR		R825	1-216-841-11	METAL CHIP 47K 5% 1/10W		
4081		QI	RESISTOR		R826	1-216-841-11	METAL CHIP 47K 5% 1/10W		
4082		QI	NETWORK		RB601	1-234-370-21	RES, NETWORK 22X4 (1005)		
4083		QI	NETWORK		RB602	1-234-370-21	RES, NETWORK 22X4 (1005)		
4084		QI	NETWORK		RB603	1-234-370-21	RES, NETWORK 22X4 (1005)		
4085		QI	NETWORK		RB604	1-234-370-21	RES, NETWORK 22X4 (1005)		
4086		QI	NETWORK		RB605	1-234-370-21	RES, NETWORK 22X4 (1005)		
4087		QI	NETWORK		RB606	1-234-370-21	RES, NETWORK 22X4 (1005)		
4088		QI	NETWORK		RB607	1-234-370-21	RES, NETWORK 22X4 (1005)		

No.	#	Board	Type	△/*	Ref. No.	Part No.	Description	Remarks-1	Remarks-2
4089		QI	NETWORK		RB608	1-234-370-21	RES, NETWORK 22X4 (1005)		
4090		QI	NETWORK		RB609	1-234-370-21	RES, NETWORK 22X4 (1005)		
4091		QI	NETWORK		RB610	1-234-378-21	RES, NETWORK 10KX4 (1005)		
4092		QI	NETWORK		RB611	1-234-378-21	RES, NETWORK 10KX4 (1005)		
4093		QI	NETWORK		RB612	1-234-378-21	RES, NETWORK 10KX4 (1005)		
4094		QI	NETWORK		RB613	1-234-378-21	RES, NETWORK 10KX4 (1005)		
4095		QI	NETWORK		RB614	1-234-378-21	RES, NETWORK 10KX4 (1005)		
4096		QI	NETWORK		RB701	1-234-370-21	RES, NETWORK 22X4 (1005)		
4097		QI	NETWORK		RB702	1-234-370-21	RES, NETWORK 22X4 (1005)		
4098		QI	NETWORK		RB703	1-234-370-21	RES, NETWORK 22X4 (1005)		
4099		QI	NETWORK		RB704	1-234-370-21	RES, NETWORK 22X4 (1005)		
4100		QI	NETWORK		RB705	1-234-378-21	RES, NETWORK 10KX4 (1005)		
4101		QI	NETWORK		RB706	1-234-378-21	RES, NETWORK 10KX4 (1005)		
4102		QI	NETWORK		RB707	1-234-378-21	RES, NETWORK 10KX4 (1005)		
4103		QI	NETWORK		RB708	1-234-378-21	RES, NETWORK 10KX4 (1005)		
4104		QI	NETWORK		RB709	1-234-371-21	RES, NETWORK 47X4 (1005)		
4105		QI	NETWORK		RB710	1-234-371-21	RES, NETWORK 47X4 (1005)		
4106		QI	NETWORK		RB711	1-234-371-21	RES, NETWORK 47X4 (1005)		
4107		QI	NETWORK		RB712	1-234-371-21	RES, NETWORK 47X4 (1005)		
4108		QI	NETWORK		RB713	1-234-378-21	RES, NETWORK 10KX4 (1005)		
4109		QI	NETWORK		RB714	1-234-378-21	RES, NETWORK 10KX4 (1005)		
4110		QI	NETWORK		RB715	1-234-378-21	RES, NETWORK 10KX4 (1005)		
4111		QI	NETWORK		RB716	1-234-378-21	RES, NETWORK 10KX4 (1005)		
4112		QI	NETWORK		RB801	1-234-378-21	RES, NETWORK 10KX4 (1005)		
4113		QI	NETWORK		RB802	1-234-378-21	RES, NETWORK 10KX4 (1005)		
4114		QI	NETWORK		RB803	1-234-378-21	RES, NETWORK 10KX4 (1005)		
4115		QI	NETWORK		RB804	1-234-378-21	RES, NETWORK 10KX4 (1005)		
4116		QI	NETWORK		RB814	1-234-378-21	RES, NETWORK 10KX4 (1005)		
4117		QI	NETWORK		RB815	1-234-378-21	RES, NETWORK 10KX4 (1005)		
4118		QI	NETWORK		RB816	1-234-378-21	RES, NETWORK 10KX4 (1005)		
4119		QI	NETWORK		RB817	1-234-378-21	RES, NETWORK 10KX4 (1005)		
4120		QI	NETWORK		RB818	1-234-378-21	RES, NETWORK 10KX4 (1005)		
4121		QI	NETWORK		RB819	1-234-378-21	RES, NETWORK 10KX4 (1005)		
4122		QI	NETWORK		RB820	1-234-378-21	RES, NETWORK 10KX4 (1005)		
4123		QI	NETWORK		RB821	1-234-378-21	RES, NETWORK 10KX4 (1005)		
4124		QI	NETWORK		RB822	1-234-378-21	RES, NETWORK 10KX4 (1005)		
4125		QI	NETWORK		RB823	1-234-378-21	RES, NETWORK 10KX4 (1005)		
4126		QI	NETWORK		RB824	1-234-378-21	RES, NETWORK 10KX4 (1005)		
4127		QI	NETWORK		RB825	1-234-378-21	RES, NETWORK 10KX4 (1005)		
4128		QI	NETWORK		RB826	1-234-372-21	RES, NETWORK 100X4 (1005)		
4129		QI	NETWORK		RB827	1-234-372-21	RES, NETWORK 100X4 (1005)		
4130		QI	NETWORK		RB828	1-234-378-21	RES, NETWORK 10KX4 (1005)		
4131		QI	NETWORK		RB829	1-234-378-21	RES, NETWORK 10KX4 (1005)		
4132		QI	NETWORK		RB830	1-234-372-21	RES, NETWORK 100X4 (1005)		
4133		QI	NETWORK		RB831	1-234-372-21	RES, NETWORK 100X4 (1005)		
4134		QI	NETWORK		RB832	1-234-372-21	RES, NETWORK 100X4 (1005)		
4135		QI	NETWORK		RB833	1-234-372-21	RES, NETWORK 100X4 (1005)		
4136		QI	NETWORK		RB834	1-234-372-21	RES, NETWORK 100X4 (1005)		
4137		QI	NETWORK		RB835	1-234-372-21	RES, NETWORK 100X4 (1005)		
4138		QI	NETWORK		RB836	1-234-372-21	RES, NETWORK 100X4 (1005)		
4139		QI	NETWORK		RB837	1-234-372-21	RES, NETWORK 100X4 (1005)		
4140		QI	NETWORK		RB838	1-234-372-21	RES, NETWORK 100X4 (1005)		
4141		QI	NETWORK		RB839	1-234-378-21	RES, NETWORK 10KX4 (1005)		
4142		QI	NETWORK		RB840	1-234-378-21	RES, NETWORK 10KX4 (1005)		
4143		QI	NETWORK		RB841	1-234-378-21	RES, NETWORK 10KX4 (1005)		
4144		QI	NETWORK		RB842	1-234-378-21	RES, NETWORK 10KX4 (1005)		
4145		QI	CRYSTAL		X701	1-795-415-21	VIBRATOR, CRYSTAL		
4146		QI	CRYSTAL		X801	1-813-058-21	OSCILLATOR, CRYSTAL		
4147		QM	CAPACITOR		C7301	1-165-811-91	CERAMIC CHIP 22UF 10% 16V		
4148		QM	CAPACITOR		C7302	1-164-346-11	CERAMIC CHIP 1UF 16V		
4149		QM	CAPACITOR		C7303	1-164-346-11	CERAMIC CHIP 1UF 16V		
4150		QM	CAPACITOR		C7304	1-125-827-91	CERAMIC CHIP 1UF 10.00% 25V		
4151		QM	CAPACITOR		C7305	1-162-970-11	CERAMIC CHIP 0.01UF 10.00% 25V		
4152		QM	CAPACITOR		C7306	1-107-826-11	CERAMIC CHIP 0.1UF 10.00% 16V		
4153		QM	CAPACITOR		C7307	1-125-827-91	CERAMIC CHIP 1UF 10.00% 25V		
4154		QM	CAPACITOR		C7308	1-162-970-11	CERAMIC CHIP 0.01UF 10.00% 25V		
4155		QM	CAPACITOR		C7309	1-107-826-11	CERAMIC CHIP 0.1UF 10.00% 16V		
4156		QM	CAPACITOR		C7310	1-164-156-11	CERAMIC CHIP 0.1UF 25V		
4157		QM	CAPACITOR		C7311	1-164-156-11	CERAMIC CHIP 0.1UF 25V		
4158		QM	CAPACITOR		C7312	1-164-156-11	CERAMIC CHIP 0.1UF 25V		
4159		QM	CAPACITOR		C7313	1-164-346-11	CERAMIC CHIP 1UF 16V		
4160		QM	CAPACITOR		C7314	1-164-156-11	CERAMIC CHIP 0.1UF 25V		
4161		QM	CAPACITOR		C7315	1-164-346-11	CERAMIC CHIP 1UF 16V		

No.	#	Board	Type	Δ / [*]	Ref. No.	Part No.	Description	Remarks-1	Remarks-2
4162		QM	CAPACITOR		C7316	1-162-962-11	CERAMIC CHIP 470PF 10.00% 50V		
4163		QM	CAPACITOR		C7317	1-162-962-11	CERAMIC CHIP 470PF 10.00% 50V		
4164		QM	CAPACITOR		C7318	1-100-118-21	ELECT CHIP 82UF 20% 16V		
4165		QM	CAPACITOR		C7319	1-126-206-11	ELECT CHIP 100UF 20.00% 6.3V		
4166		QM	CAPACITOR		C7320	1-100-118-21	ELECT CHIP 82UF 20% 16V		
4167		QM	CAPACITOR		C7321	1-164-156-11	CERAMIC CHIP 0.1UF 25V		
4168		QM	CAPACITOR		C7322	1-137-897-21	ELECT CHIP 150UF 20% 4V		
4169		QM	CAPACITOR		C7323	1-137-897-21	ELECT CHIP 150UF 20% 4V		
4170		QM	CAPACITOR		C7326	1-137-897-21	ELECT CHIP 150UF 20% 4V		
4171		QM	CAPACITOR		C7327	1-125-837-91	CERAMIC CHIP 1UF 10% 6.3V		
4172		QM	CAPACITOR		C7328	1-125-837-91	CERAMIC CHIP 1UF 10% 6.3V		
4173		QM	CAPACITOR		C7329	1-126-206-11	ELECT CHIP 100UF 20.00% 6.3V		
4174		QM	CAPACITOR		C7330	1-126-206-11	ELECT CHIP 100UF 20.00% 6.3V		
4175		QM	CAPACITOR		C7331	1-126-206-11	ELECT CHIP 100UF 20.00% 6.3V		
4176		QM	CAPACITOR		C7332	1-164-156-11	CERAMIC CHIP 0.1UF 25V		
4177		QM	CAPACITOR		C7333	1-164-156-11	CERAMIC CHIP 0.1UF 25V		
4178		QM	CAPACITOR		C7334	1-164-156-11	CERAMIC CHIP 0.1UF 25V		
4179		QM	CAPACITOR		C7335	1-127-692-11	CERAMIC CHIP 10UF 10% 16V		
4180		QM	CAPACITOR		C7336	1-127-692-11	CERAMIC CHIP 10UF 10% 16V		
4181		QM	CAPACITOR		C7337	1-107-826-11	CERAMIC CHIP 0.1UF 10.00% 16V		
4182		QM	CAPACITOR		C7338	1-107-826-11	CERAMIC CHIP 0.1UF 10.00% 16V		
4183		QM	CAPACITOR		C7339	1-107-826-11	CERAMIC CHIP 0.1UF 10.00% 16V		
4184		QM	CAPACITOR		C7340	1-107-826-11	CERAMIC CHIP 0.1UF 10.00% 16V		
4185		QM	CAPACITOR		C7341	1-107-826-11	CERAMIC CHIP 0.1UF 10.00% 16V		
4186		QM	CAPACITOR		C7342	1-126-206-11	ELECT CHIP 100UF 20.00% 6.3V		
4187		QM	CAPACITOR		C7343	1-125-837-91	CERAMIC CHIP 1UF 10% 6.3V		
4188		QM	CAPACITOR		C7344	1-125-837-91	CERAMIC CHIP 1UF 10% 6.3V		
4189		QM	CAPACITOR		C7345	1-125-837-91	CERAMIC CHIP 1UF 10% 6.3V		
4190		QM	CAPACITOR		C7346	1-125-837-91	CERAMIC CHIP 1UF 10% 6.3V		
4191		QM	CAPACITOR		C7347	1-125-837-91	CERAMIC CHIP 1UF 10% 6.3V		
4192		QM	CAPACITOR		C7348	1-127-692-11	CERAMIC CHIP 10UF 10% 16V		
4193		QM	CAPACITOR		C7349	1-164-156-11	CERAMIC CHIP 0.1UF 25V		
4194		QM	CAPACITOR		C7350	1-127-692-11	CERAMIC CHIP 10UF 10% 16V		
4195		QM	CAPACITOR		C7351	1-162-970-11	CERAMIC CHIP 0.01UF 10.00% 25V		
4196		QM	CAPACITOR		C7352	1-162-970-11	CERAMIC CHIP 0.01UF 10.00% 25V		
4197		QM	CAPACITOR		C7353	1-162-970-11	CERAMIC CHIP 0.01UF 10.00% 25V		
4198		QM	CAPACITOR		C7354	1-127-692-11	CERAMIC CHIP 10UF 10% 16V		
4199		QM	CAPACITOR		C7355	1-164-156-11	CERAMIC CHIP 0.1UF 25V		
4200		QM	CAPACITOR		C7356	1-127-692-11	CERAMIC CHIP 10UF 10% 16V		
4201		QM	CAPACITOR		C7357	1-164-156-11	CERAMIC CHIP 0.1UF 25V		
4202		QM	CAPACITOR		C7358	1-164-156-11	CERAMIC CHIP 0.1UF 25V		
4203		QM	CAPACITOR		C7359	1-164-156-11	CERAMIC CHIP 0.1UF 25V		
4204		QM	CAPACITOR		C7360	1-164-156-11	CERAMIC CHIP 0.1UF 25V		
4205		QM	CAPACITOR		C7361	1-164-156-11	CERAMIC CHIP 0.1UF 25V		
4206		QM	CAPACITOR		C7362	1-164-156-11	CERAMIC CHIP 0.1UF 25V		
4207		QM	CAPACITOR		C7363	1-164-156-11	CERAMIC CHIP 0.1UF 25V		
4208		QM	CAPACITOR		C7364	1-164-156-11	CERAMIC CHIP 0.1UF 25V		
4209		QM	CAPACITOR		C7365	1-125-837-91	CERAMIC CHIP 1UF 10% 6.3V		
4210		QM	CAPACITOR		C7366	1-127-692-11	CERAMIC CHIP 10UF 10% 16V		
4211		QM	CAPACITOR		C7367	1-127-692-11	CERAMIC CHIP 10UF 10% 16V		
4212		QM	CAPACITOR		C7368	1-127-692-11	CERAMIC CHIP 10UF 10% 16V		
4213		QM	CAPACITOR		C7369	1-127-692-11	CERAMIC CHIP 10UF 10% 16V		
4214		QM	CAPACITOR		C7370	1-127-692-11	CERAMIC CHIP 10UF 10% 16V		
4215		QM	CAPACITOR		C7371	1-127-692-11	CERAMIC CHIP 10UF 10% 16V		
4216		QM	CAPACITOR		C7372	1-162-970-11	CERAMIC CHIP 0.01UF 10.00% 25V		
4217		QM	CAPACITOR		C7373	1-162-970-11	CERAMIC CHIP 0.01UF 10.00% 25V		
4218		QM	CAPACITOR		C7374	1-162-970-11	CERAMIC CHIP 0.01UF 10.00% 25V		
4219		QM	CAPACITOR		C7375	1-164-156-11	CERAMIC CHIP 0.1UF 25V		
4220		QM	CAPACITOR		C7376	1-164-156-11	CERAMIC CHIP 0.1UF 25V		
4221		QM	CAPACITOR		C7377	1-164-156-11	CERAMIC CHIP 0.1UF 25V		
4222		QM	CAPACITOR		C7378	1-164-156-11	CERAMIC CHIP 0.1UF 25V		
4223		QM	CAPACITOR		C7379	1-125-837-91	CERAMIC CHIP 1UF 10% 6.3V		
4224		QM	CAPACITOR		C7380	1-164-156-11	CERAMIC CHIP 0.1UF 25V		
4225		QM	CAPACITOR		C7381	1-164-156-11	CERAMIC CHIP 0.1UF 25V		
4226		QM	CAPACITOR		C7382	1-164-156-11	CERAMIC CHIP 0.1UF 25V		
4227		QM	CAPACITOR		C7383	1-164-156-11	CERAMIC CHIP 0.1UF 25V		
4228		QM	CAPACITOR		C7384	1-125-837-91	CERAMIC CHIP 1UF 10% 6.3V		
4229		QM	CAPACITOR		C7385	1-125-837-91	CERAMIC CHIP 1UF 10% 6.3V		
4230		QM	CAPACITOR		C7386	1-125-837-91	CERAMIC CHIP 1UF 10% 6.3V		
4231		QM	CAPACITOR		C7387	1-164-156-11	CERAMIC CHIP 0.1UF 25V		
4232		QM	CAPACITOR		C7388	1-127-692-11	CERAMIC CHIP 10UF 10% 16V		
4233		QM	CAPACITOR		C7389	1-162-970-11	CERAMIC CHIP 0.01UF 10.00% 25V		
4234		QM	CAPACITOR		C7390	1-162-970-11	CERAMIC CHIP 0.01UF 10.00% 25V		

No.	#	Board	Type	△/*	Ref. No.	Part No.	Description	Remarks-1	Remarks-2
4235		QM	CAPACITOR		C7391	1-127-692-11	CERAMIC CHIP 10UF 10% 16V		
4236		QM	CAPACITOR		C7392	1-164-156-11	CERAMIC CHIP 0.1UF 25V		
4237		QM	CAPACITOR		C7393	1-164-156-11	CERAMIC CHIP 0.1UF 25V		
4238		QM	CAPACITOR		C7394	1-127-692-11	CERAMIC CHIP 10UF 10% 16V		
4239		QM	CAPACITOR		C7395	1-164-156-11	CERAMIC CHIP 0.1UF 25V		
4240		QM	CAPACITOR		C7396	1-164-156-11	CERAMIC CHIP 0.1UF 25V		
4241		QM	CAPACITOR		C7397	1-127-692-11	CERAMIC CHIP 10UF 10% 16V		
4242		QM	CAPACITOR		C7398	1-164-156-11	CERAMIC CHIP 0.1UF 25V		
4243		QM	CAPACITOR		C7399	1-125-837-91	CERAMIC CHIP 1UF 10% 6.3V		
4244		QM	CAPACITOR		C7400	1-162-910-11	CERAMIC CHIP 5PF 0.25PF 50V		
4245		QM	CAPACITOR		C7401	1-164-156-11	CERAMIC CHIP 0.1UF 25V		
4246		QM	CAPACITOR		C7402	1-164-156-11	CERAMIC CHIP 0.1UF 25V		
4247		QM	CAPACITOR		C7403	1-164-156-11	CERAMIC CHIP 0.1UF 25V		
4248		QM	CAPACITOR		C7404	1-162-911-11	CERAMIC CHIP 6PF 0.50PF 50V		
4249		QM	CAPACITOR		C7405	1-164-156-11	CERAMIC CHIP 0.1UF 25V		
4250		QM	CAPACITOR		C7406	1-164-156-11	CERAMIC CHIP 0.1UF 25V		
4251		QM	CAPACITOR		C7407	1-162-970-11	CERAMIC CHIP 0.01UF 10.00% 25V		
4252		QM	CAPACITOR		C7408	1-162-970-11	CERAMIC CHIP 0.01UF 10.00% 25V		
4253		QM	CAPACITOR		C7409	1-164-156-11	CERAMIC CHIP 0.1UF 25V		
4254		QM	CAPACITOR		C7410	1-164-156-11	CERAMIC CHIP 0.1UF 25V		
4255		QM	CAPACITOR		C7411	1-164-156-11	CERAMIC CHIP 0.1UF 25V		
4256		QM	CAPACITOR		C7412	1-164-156-11	CERAMIC CHIP 0.1UF 25V		
4257		QM	CAPACITOR		C7413	1-125-837-91	CERAMIC CHIP 1UF 10% 6.3V		
4258		QM	CAPACITOR		C7414	1-164-156-11	CERAMIC CHIP 0.1UF 25V		
4259		QM	CAPACITOR		C7415	1-125-837-91	CERAMIC CHIP 1UF 10% 6.3V		
4260		QM	CAPACITOR		C7416	1-125-837-91	CERAMIC CHIP 1UF 10% 6.3V		
4261		QM	CAPACITOR		C7417	1-127-692-11	CERAMIC CHIP 10UF 10% 16V		
4262		QM	CAPACITOR		C7418	1-125-837-91	CERAMIC CHIP 1UF 10% 6.3V		
4263		QM	CAPACITOR		C7419	1-127-692-11	CERAMIC CHIP 10UF 10% 16V		
4264		QM	CAPACITOR		C7420	1-164-156-11	CERAMIC CHIP 0.1UF 25V		
4265		QM	CAPACITOR		C7421	1-164-156-11	CERAMIC CHIP 0.1UF 25V		
4266		QM	CAPACITOR		C7422	1-164-156-11	CERAMIC CHIP 0.1UF 25V		
4267		QM	CAPACITOR		C7423	1-164-156-11	CERAMIC CHIP 0.1UF 25V		
4268		QM	CAPACITOR		C7424	1-164-156-11	CERAMIC CHIP 0.1UF 25V		
4269		QM	CAPACITOR		C7425	1-164-156-11	CERAMIC CHIP 0.1UF 25V		
4270		QM	CAPACITOR		C7426	1-164-156-11	CERAMIC CHIP 0.1UF 25V		
4271		QM	CAPACITOR		C7428	1-126-206-11	ELECT CHIP 100UF 20.00% 6.3V		
4272		QM	CAPACITOR		C7429	1-126-206-11	ELECT CHIP 100UF 20.00% 6.3V		
4273		QM	CAPACITOR		C7430	1-164-156-11	CERAMIC CHIP 0.1UF 25V		
4274		QM	CAPACITOR		C7431	1-164-156-11	CERAMIC CHIP 0.1UF 25V		
4275		QM	CAPACITOR		C7432	1-127-692-11	CERAMIC CHIP 10UF 10% 16V		
4276		QM	CAPACITOR		C7433	1-162-970-11	CERAMIC CHIP 0.01UF 10.00% 25V		
4277		QM	CAPACITOR		C7434	1-162-970-11	CERAMIC CHIP 0.01UF 10.00% 25V		
4278		QM	CAPACITOR		C7435	1-162-970-11	CERAMIC CHIP 0.01UF 10.00% 25V		
4279		QM	CAPACITOR		C7436	1-162-970-11	CERAMIC CHIP 0.01UF 10.00% 25V		
4280		QM	CAPACITOR		C7437	1-164-156-11	CERAMIC CHIP 0.1UF 25V		
4281		QM	CAPACITOR		C7438	1-164-156-11	CERAMIC CHIP 0.1UF 25V		
4282		QM	CAPACITOR		C7439	1-127-692-11	CERAMIC CHIP 10UF 10% 16V		
4283		QM	CAPACITOR		C7440	1-162-970-11	CERAMIC CHIP 0.01UF 10.00% 25V		
4284		QM	CAPACITOR		C7441	1-162-970-11	CERAMIC CHIP 0.01UF 10.00% 25V		
4285		QM	CAPACITOR		C7442	1-162-970-11	CERAMIC CHIP 0.01UF 10.00% 25V		
4286		QM	CAPACITOR		C7443	1-162-970-11	CERAMIC CHIP 0.01UF 10.00% 25V		
4287		QM	CAPACITOR		C7444	1-164-156-11	CERAMIC CHIP 0.1UF 25V		
4288		QM	CAPACITOR		C7445	1-162-970-11	CERAMIC CHIP 0.01UF 10.00% 25V		
4289		QM	CAPACITOR		C7446	1-162-970-11	CERAMIC CHIP 0.01UF 10.00% 25V		
4290		QM	CAPACITOR		C7447	1-162-970-11	CERAMIC CHIP 0.01UF 10.00% 25V		
4291		QM	CAPACITOR		C7448	1-162-970-11	CERAMIC CHIP 0.01UF 10.00% 25V		
4292		QM	CAPACITOR		C7449	1-164-156-11	CERAMIC CHIP 0.1UF 25V		
4293		QM	CAPACITOR		C7450	1-164-156-11	CERAMIC CHIP 0.1UF 25V		
4294		QM	CAPACITOR		C7451	1-164-156-11	CERAMIC CHIP 0.1UF 25V		
4295		QM	CAPACITOR		C7452	1-127-692-11	CERAMIC CHIP 10UF 10% 16V		
4296		QM	CAPACITOR		C7453	1-162-970-11	CERAMIC CHIP 0.01UF 10.00% 25V		
4297		QM	CAPACITOR		C7454	1-162-970-11	CERAMIC CHIP 0.01UF 10.00% 25V		
4298		QM	CAPACITOR		C7455	1-162-970-11	CERAMIC CHIP 0.01UF 10.00% 25V		
4299		QM	CAPACITOR		C7456	1-162-970-11	CERAMIC CHIP 0.01UF 10.00% 25V		
4300		QM	CAPACITOR		C7457	1-164-156-11	CERAMIC CHIP 0.1UF 25V		
4301		QM	CAPACITOR		C7458	1-164-156-11	CERAMIC CHIP 0.1UF 25V		
4302		QM	CAPACITOR		C7459	1-127-692-11	CERAMIC CHIP 10UF 10% 16V		
4303		QM	CAPACITOR		C7460	1-162-970-11	CERAMIC CHIP 0.01UF 10.00% 25V		
4304		QM	CAPACITOR		C7461	1-162-970-11	CERAMIC CHIP 0.01UF 10.00% 25V		
4305		QM	CAPACITOR		C7462	1-162-970-11	CERAMIC CHIP 0.01UF 10.00% 25V		
4306		QM	CAPACITOR		C7463	1-162-970-11	CERAMIC CHIP 0.01UF 10.00% 25V		
4307		QM	CAPACITOR		C7464	1-164-156-11	CERAMIC CHIP 0.1UF 25V		

No.	#	Board	Type	Δ / [*]	Ref. No.	Part No.	Description	Remarks-1	Remarks-2
4308		QM	CAPACITOR		C7465	1-162-970-11	CERAMIC CHIP 0.01UF 10.00% 25V		
4309		QM	CAPACITOR		C7466	1-162-970-11	CERAMIC CHIP 0.01UF 10.00% 25V		
4310		QM	CAPACITOR		C7467	1-162-970-11	CERAMIC CHIP 0.01UF 10.00% 25V		
4311		QM	CAPACITOR		C7468	1-162-970-11	CERAMIC CHIP 0.01UF 10.00% 25V		
4312		QM	CAPACITOR		C7469	1-164-156-11	CERAMIC CHIP 0.1UF 25V		
4313		QM	CAPACITOR		C7470	1-164-156-11	CERAMIC CHIP 0.1UF 25V		
4314		QM	CAPACITOR		C7472	1-164-156-11	CERAMIC CHIP 0.1UF 25V		
4315		QM	CAPACITOR		C7473	1-126-206-11	ELECT CHIP 100UF 20.00% 6.3V		
4316		QM	CAPACITOR		C7474	1-126-206-11	ELECT CHIP 100UF 20.00% 6.3V		
4317		QM	CAPACITOR		C7475	1-126-204-11	ELECT CHIP 47UF 20.00% 16V		
4318		QM	CAPACITOR		C7476	1-162-923-11	CERAMIC CHIP 47PF 5.00% 50V		
4319		QM	CAPACITOR		C7477	1-162-923-11	CERAMIC CHIP 47PF 5.00% 50V		
4320		QM	CAPACITOR		C7478	1-162-923-11	CERAMIC CHIP 47PF 5.00% 50V		
4321		QM	CAPACITOR		C7479	1-162-923-11	CERAMIC CHIP 47PF 5.00% 50V		
4322		QM	CAPACITOR		C7480	1-162-923-11	CERAMIC CHIP 47PF 5.00% 50V		
4323		QM	CAPACITOR		C7481	1-162-923-11	CERAMIC CHIP 47PF 5.00% 50V		
4324		QM	CAPACITOR		C7482	1-162-974-11	CERAMIC CHIP 0.01UF 50V		
4325		QM	CAPACITOR		C7483	1-164-346-11	CERAMIC CHIP 1UF 16V		
4326		QM	CAPACITOR		C7484	1-162-923-11	CERAMIC CHIP 47PF 5.00% 50V		
4327		QM	CAPACITOR		C7485	1-162-923-11	CERAMIC CHIP 47PF 5.00% 50V		
4328		QM	CAPACITOR		C7486	1-162-923-11	CERAMIC CHIP 47PF 5.00% 50V		
4329		QM	CAPACITOR		C7487	1-162-923-11	CERAMIC CHIP 47PF 5.00% 50V		
4330		QM	CAPACITOR		C7488	1-162-923-11	CERAMIC CHIP 47PF 5.00% 50V		
4331		QM	CAPACITOR		C7489	1-162-923-11	CERAMIC CHIP 47PF 5.00% 50V		
4332		QM	CAPACITOR		C7491	1-124-779-00	ELECT CHIP 10UF 20.00% 16V		
4333		QM	CAPACITOR		C7492	1-124-779-00	ELECT CHIP 10UF 20.00% 16V		
4334		QM	CAPACITOR		C7494	1-162-965-11	CERAMIC CHIP 0.0015UF 10.00% 50V		
4335		QM	CAPACITOR		C7495	1-162-965-11	CERAMIC CHIP 0.0015UF 10.00% 50V		
4336		QM	CAPACITOR		C7496	1-162-965-11	CERAMIC CHIP 0.0015UF 10.00% 50V		
4337		QM	CAPACITOR		C7497	1-162-965-11	CERAMIC CHIP 0.0015UF 10.00% 50V		
4338		QM	CAPACITOR		C7498	1-164-156-11	CERAMIC CHIP 0.1UF 25V		
4339		QM	CAPACITOR		C7499	1-164-156-11	CERAMIC CHIP 0.1UF 25V		
4340		QM	CAPACITOR		C7501	1-126-395-11	ELECT CHIP 22UF 20.00% 16V		
4341		QM	CAPACITOR		C7502	1-164-156-11	CERAMIC CHIP 0.1UF 25V		
4342		QM	CAPACITOR		C7503	1-164-156-11	CERAMIC CHIP 0.1UF 25V		
4343		QM	CAPACITOR		C7504	1-164-156-11	CERAMIC CHIP 0.1UF 25V		
4344		QM	CAPACITOR		C7506	1-117-681-11	ELECT CHIP 100UF 20.00% 16V		
4345		QM	CAPACITOR		C7509	1-117-681-11	ELECT CHIP 100UF 20.00% 16V		
4346		QM	CAPACITOR		C7511	1-162-974-11	CERAMIC CHIP 0.01UF 50V		
4347		QM	CAPACITOR		C7528	1-126-206-11	ELECT CHIP 100UF 20.00% 6.3V		
4348		QM	CAPACITOR		C7532	1-117-681-11	ELECT CHIP 100UF 20.00% 16V		
4349		QM	CAPACITOR		C7539	1-164-156-11	CERAMIC CHIP 0.1UF 25V		
4350		QM	CAPACITOR		C7540	1-164-156-11	CERAMIC CHIP 0.1UF 25V		
4351		QM	CAPACITOR		C7541	1-164-156-11	CERAMIC CHIP 0.1UF 25V		
4352		QM	CAPACITOR		C7542	1-164-156-11	CERAMIC CHIP 0.1UF 25V		
4353		QM	CONNECTOR	*	CN7300	1-816-598-11	PIN, CONNECTOR 12P		
4354		QM	CONNECTOR	*	CN7303	1-817-702-11	CONNECTOR, BOARD TO BOARD 4P		
4355		QM	CONNECTOR	*	CN7305	1-817-717-11	CONNECTOR, BOARD TO BOARD 80P		
4356		QM	CONNECTOR	*	CN7306	1-817-701-11	CONNECTOR, BOARD TO BOARD 24P		
4357		QM	CONNECTOR	*	CN7308	1-817-718-11	CONNECTOR, BOARD TO BOARD 40P		
4358		QM	CONNECTOR		CN7309	1-815-468-11	PIN, CONNECTOR (PC BOARD)		
4359		QM	CONNECTOR	*	CN7310	1-793-141-21	PIN, CONNECTOR (PC BOARD) 15P		
4360		QM	CONNECTOR		CN7311	1-785-842-11	CONNECTOR, USB (VERTICAL TYPE)		
4361		QM	DIODE		D7300	8-719-404-50	DIODE MA111-TX		
4362		QM	DIODE		D7301	8-719-404-50	DIODE MA111-TX		
4363		QM	DIODE		D7302	8-719-404-50	DIODE MA111-TX		
4364		QM	DIODE		D7303	8-719-404-50	DIODE MA111-TX		
4365		QM	DIODE		D7304	8-719-404-50	DIODE MA111-TX		
4366		QM	DIODE		D7305	8-719-404-50	DIODE MA111-TX		
4367		QM	DIODE		D7306	8-719-060-99	DIODE SML-210MT-T86		
4368		QM	DIODE		D7308	8-719-988-61	DIODE 1SS355TE-17		
4369		QM	DIODE		D7309	8-719-048-40	DIODE MBRS140T3		
4370		QM	DIODE		D7310	8-719-048-40	DIODE MBRS140T3		
4371		QM	FERRITE BEAD		FB7300	1-400-089-21	FERRITE 0UH		
4372		QM	FERRITE BEAD		FB7301	1-400-089-21	FERRITE 0UH		
4373		QM	FERRITE BEAD		FB7302	1-469-835-21	FERRITE 0UH		
4374		QM	FERRITE BEAD		FB7303	1-500-241-22	FERRITE 0UH		
4375		QM	FERRITE BEAD		FB7304	1-469-835-21	FERRITE 0UH		
4376		QM	FERRITE BEAD		FB7305	1-469-835-21	FERRITE 0UH		
4377		QM	FERRITE BEAD		FB7306	1-414-229-11	FERRITE 0UH		
4378		QM	FERRITE BEAD		FB7307	1-414-229-11	FERRITE 0UH		
4379		QM	FERRITE BEAD		FB7308	1-469-835-21	FERRITE 0UH		
4380		QM	FERRITE BEAD		FB7309	1-414-229-11	FERRITE 0UH		

No.	#	Board	Type	△/*	Ref. No.	Part No.	Description	Remarks-1	Remarks-2
4381		QM	FERRITE BEAD		FB7310	1-414-229-11	FERRITE 0UH		
4382		QM	FERRITE BEAD		FB7311	1-414-229-11	FERRITE 0UH		
4383		QM	FERRITE BEAD		FB7312	1-414-229-11	FERRITE 0UH		
4384		QM	FERRITE BEAD		FB7313	1-400-180-21	INDUCTOR 0UH		
4385		QM	FERRITE BEAD		FB7314	1-400-180-21	INDUCTOR 0UH		
4386		QM	FERRITE BEAD		FB7315	1-469-835-21	FERRITE 0UH		
4387		QM	FERRITE BEAD		FB7317	1-400-089-21	FERRITE 0UH		
4388		QM	FERRITE BEAD		FB7318	1-400-089-21	FERRITE 0UH		
4389		QM	FERRITE BEAD		FB7319	1-216-295-91	SHORT CHIP 0		
4390		QM	FERRITE BEAD		FB7321	1-469-835-21	FERRITE 0UH		
4391		QM	FERRITE BEAD		FB7322	1-469-835-21	FERRITE 0UH		
4392		QM	FERRITE BEAD		FB7323	1-469-835-21	FERRITE 0UH		
4393		QM	FILTER		FL7300	1-781-667-22	INDUCTOR 0UH		
4394		QM	IC		IC7300	6-704-629-01	IC 215H25AKA13G		
4395		QM	IC		IC7301	6-703-182-01	IC IRU3037CS		
4396		QM	IC		IC7302	6-703-182-01	IC IRU3037CS		
4397		QM	IC		IC7303	8-759-592-47	IC TC7SZ08FU(TE85R)		
4398		QM	IC		IC7304	8-759-592-47	IC TC7SZ08FU(TE85R)		
4399		QM	IC		IC7305	6-701-116-01	IC TPS3823-33DBVR		
4400		QM	IC		IC7306	8-729-044-83	TRANSISTOR IRF7313-TR		
4401		QM	IC		IC7307	8-729-044-83	TRANSISTOR IRF7313-TR		
4402		QM	IC		IC7308	8-759-538-95	IC TC74LVX08FT(EL)		
4403		QM	IC		IC7309	6-704-622-01	IC PQ015Y3H3ZP		
4404		QM	IC		IC7310	6-703-048-01	IC XC6209B182MR		
4405		QM	IC		IC7311	6-703-048-01	IC XC6209B182MR		
4406		QM	IC		IC7312	6-703-048-01	IC XC6209B182MR		
4407		QM	IC		IC7313	6-703-048-01	IC XC6209B182MR		
4408		QM	IC		IC7314	6-703-048-01	IC XC6209B182MR		
4409		QM	IC		IC7315	8-759-698-08	IC SN74CBTLV1G125DCKR		
4410		QM	IC		IC7316	8-759-694-36	IC SN74CBTLV3257PWR		
4411		QM	IC		IC7317	8-759-058-54	IC TC7S00FU(TE85R)		
4412		QM	IC		IC7318	6-705-336-01	IC K9F2808U0C-PCB0T		
4413		QM	IC		IC7319	6-705-336-01	IC K9F2808U0C-PCB0T		
4414		QM	IC		IC7320	6-703-866-01	IC M25P10-AVMN6T		
4415		QM	IC		IC7322	6-704-849-01	IC MT46V8M16P-6T		
4416		QM	IC		IC7323	6-704-849-01	IC MT46V8M16P-6T		
4417		QM	IC		IC7324	6-704-849-01	IC MT46V8M16P-6T		
4418		QM	IC		IC7325	6-704-849-01	IC MT46V8M16P-6T		
4419		QM	IC		IC7326	6-702-688-01	IC M24C64-WMN6T(B)		
4420		QM	IC		IC7327	6-704-819-01	IC CS4335-KSZR		
4421		QM	IC		IC7330	8-759-672-72	IC LM3526MX-H		
4422		QM	IC		IC7335	8-759-592-47	IC TC7SZ08FU(TE85R)		
4423		QM	IC		IC7336	8-759-592-47	IC TC7SZ08FU(TE85R)		
4424		QM	IC		IC7337	8-759-592-50	IC TC7SZ126FU(TE85R)		
4425		QM	COIL		L7300	1-469-349-11	INDUCTOR 1UH		
4426		QM	COIL		L7301	1-416-948-21	INDUCTOR 10UH		
4427		QM	COIL		L7302	1-419-491-21	INDUCTOR 10UH		
4428		QM	COIL		L7303	1-414-751-11	INDUCTOR 1UH		
4429		QM	COIL		L7304	1-410-989-11	INDUCTOR 0.47UH		
4430		QM	COIL		L7305	1-410-989-11	INDUCTOR 0.47UH		
4431		QM	COIL		L7306	1-410-989-11	INDUCTOR 0.47UH		
4432		QM	COIL		L7307	1-410-989-11	INDUCTOR 0.47UH		
4433		QM	COIL		L7308	1-410-989-11	INDUCTOR 0.47UH		
4434		QM	COIL		L7309	1-410-989-11	INDUCTOR 0.47UH		
4435		QM	COIL		L7312	1-414-751-11	INDUCTOR 1UH		
4436		QM	TRANSISTOR		Q7300	8-729-422-27	TRANSISTOR 2SD601A-Q		
4437		QM	TRANSISTOR		Q7301	8-729-422-27	TRANSISTOR 2SD601A-Q		
4438		QM	TRANSISTOR		Q7302	8-729-422-27	TRANSISTOR 2SD601A-Q		
4439		QM	TRANSISTOR		Q7303	8-729-424-02	TRANSISTOR 2SB709A-QRS-TX		
4440		QM	TRANSISTOR		Q7304	8-729-422-27	TRANSISTOR 2SD601A-Q		
4441		QM	TRANSISTOR		Q7305	8-729-422-27	TRANSISTOR 2SD601A-Q		
4442		QM	RESISTOR		R7300	1-216-864-11	SHORT CHIP 0		
4443		QM	RESISTOR		R7301	1-216-864-11	SHORT CHIP 0		
4444		QM	RESISTOR		R7303	1-216-845-11	METAL CHIP 100K 5% 1/10W		
4445		QM	RESISTOR		R7304	1-216-809-11	METAL CHIP 100 5% 1/10W		
4446		QM	RESISTOR		R7305	1-216-809-11	METAL CHIP 100 5% 1/10W		
4447		QM	RESISTOR		R7306	1-216-864-11	SHORT CHIP 0		
4448		QM	RESISTOR		R7307	1-216-864-11	SHORT CHIP 0		
4449		QM	RESISTOR		R7308	1-218-692-11	METAL CHIP 1K 0.5% 1/10W		
4450		QM	RESISTOR		R7309	1-218-692-11	METAL CHIP 1K 0.5% 1/10W		
4451		QM	RESISTOR		R7310	1-216-801-11	METAL CHIP 22 5% 1/10W		
4452		QM	RESISTOR		R7311	1-216-833-11	METAL CHIP 10K 5% 1/10W		
4453		QM	RESISTOR		R7312	1-218-704-11	METAL CHIP 3.3K 0.5% 1/10W		

No.	#	Board	Type	Δ / [*]	Ref. No.	Part No.	Description	Remarks-1	Remarks-2
4454		QM	RESISTOR		R7313	1-218-704-11	METAL CHIP 3.3K 0.5% 1/10W		
4455		QM	RESISTOR		R7314	1-218-692-11	METAL CHIP 1K 0.5% 1/10W		
4456		QM	RESISTOR		R7315	1-216-864-11	SHORT CHIP 0		
4457		QM	RESISTOR		R7316	1-216-864-11	SHORT CHIP 0		
4458		QM	RESISTOR		R7317	1-216-809-11	METAL CHIP 100 5% 1/10W		
4459		QM	RESISTOR		R7318	1-216-837-11	METAL CHIP 22K 5% 1/10W		
4460		QM	RESISTOR		R7319	1-216-838-11	METAL CHIP 27K 5% 1/10W		
4461		QM	RESISTOR		R7320	1-216-864-11	SHORT CHIP 0		
4462		QM	RESISTOR		R7321	1-216-809-11	METAL CHIP 100 5% 1/10W		
4463		QM	RESISTOR		R7322	1-216-801-11	METAL CHIP 22 5% 1/10W		
4464		QM	RESISTOR		R7324	1-216-833-11	METAL CHIP 10K 5% 1/10W		
4465		QM	RESISTOR		R7326	1-216-809-11	METAL CHIP 100 5% 1/10W		
4466		QM	RESISTOR		R7328	1-216-833-11	METAL CHIP 10K 5% 1/10W		
4467		QM	RESISTOR		R7329	1-216-793-11	METAL CHIP 4.7 5% 1/10W		
4468		QM	RESISTOR		R7330	1-216-793-11	METAL CHIP 4.7 5% 1/10W		
4469		QM	RESISTOR		R7332	1-216-833-11	METAL CHIP 10K 5% 1/10W		
4470		QM	RESISTOR		R7333	1-216-864-11	SHORT CHIP 0		
4471		QM	RESISTOR		R7335	1-216-801-11	METAL CHIP 22 5% 1/10W		
4472		QM	RESISTOR		R7336	1-216-821-11	METAL CHIP 1K 5% 1/10W		
4473		QM	RESISTOR		R7337	1-216-833-11	METAL CHIP 10K 5% 1/10W		
4474		QM	RESISTOR		R7338	1-216-833-11	METAL CHIP 10K 5% 1/10W		
4475		QM	RESISTOR		R7339	1-216-809-11	METAL CHIP 100 5% 1/10W		
4476		QM	RESISTOR		R7340	1-216-821-11	METAL CHIP 1K 5% 1/10W		
4477		QM	RESISTOR		R7342	1-216-801-11	METAL CHIP 22 5% 1/10W		
4478		QM	RESISTOR		R7343	1-216-801-11	METAL CHIP 22 5% 1/10W		
4479		QM	RESISTOR		R7345	1-216-864-11	SHORT CHIP 0		
4480		QM	RESISTOR		R7346	1-216-864-11	SHORT CHIP 0		
4481		QM	RESISTOR		R7347	1-216-864-11	SHORT CHIP 0		
4482		QM	RESISTOR		R7348	1-216-864-11	SHORT CHIP 0		
4483		QM	RESISTOR		R7349	1-216-864-11	SHORT CHIP 0		
4484		QM	RESISTOR		R7350	1-216-864-11	SHORT CHIP 0		
4485		QM	RESISTOR		R7351	1-216-864-11	SHORT CHIP 0		
4486		QM	RESISTOR		R7352	1-216-864-11	SHORT CHIP 0		
4487		QM	RESISTOR		R7353	1-216-864-11	SHORT CHIP 0		
4488		QM	RESISTOR		R7354	1-216-864-11	SHORT CHIP 0		
4489		QM	RESISTOR		R7355	1-216-801-11	METAL CHIP 22 5% 1/10W		
4490		QM	RESISTOR		R7356	1-216-857-11	METAL CHIP 1M 5% 1/10W		
4491		QM	RESISTOR		R7357	1-216-801-11	METAL CHIP 22 5% 1/10W		
4492		QM	RESISTOR		R7358	1-216-833-11	METAL CHIP 10K 5% 1/10W		
4493		QM	RESISTOR		R7359	1-216-864-11	SHORT CHIP 0		
4494		QM	RESISTOR		R7360	1-216-864-11	SHORT CHIP 0		
4495		QM	RESISTOR		R7361	1-216-833-11	METAL CHIP 10K 5% 1/10W		
4496		QM	RESISTOR		R7363	1-216-833-11	METAL CHIP 10K 5% 1/10W		
4497		QM	RESISTOR		R7364	1-216-833-11	METAL CHIP 10K 5% 1/10W		
4498		QM	RESISTOR		R7365	1-216-833-11	METAL CHIP 10K 5% 1/10W		
4499		QM	RESISTOR		R7366	1-216-833-11	METAL CHIP 10K 5% 1/10W		
4500		QM	RESISTOR		R7368	1-216-833-11	METAL CHIP 10K 5% 1/10W		
4501		QM	RESISTOR		R7370	1-216-833-11	METAL CHIP 10K 5% 1/10W		
4502		QM	RESISTOR		R7374	1-216-833-11	METAL CHIP 10K 5% 1/10W		
4503		QM	RESISTOR		R7375	1-216-833-11	METAL CHIP 10K 5% 1/10W		
4504		QM	RESISTOR		R7378	1-216-833-11	METAL CHIP 10K 5% 1/10W		
4505		QM	RESISTOR		R7379	1-216-833-11	METAL CHIP 10K 5% 1/10W		
4506		QM	RESISTOR		R7381	1-216-864-11	SHORT CHIP 0		
4507		QM	RESISTOR		R7382	1-216-833-11	METAL CHIP 10K 5% 1/10W		
4508		QM	RESISTOR		R7384	1-216-833-11	METAL CHIP 10K 5% 1/10W		
4509		QM	RESISTOR		R7385	1-216-845-11	METAL CHIP 100K 5% 1/10W		
4510		QM	RESISTOR		R7386	1-216-833-11	METAL CHIP 10K 5% 1/10W		
4511		QM	RESISTOR		R7387	1-216-801-11	METAL CHIP 22 5% 1/10W		
4512		QM	RESISTOR		R7388	1-216-833-11	METAL CHIP 10K 5% 1/10W		
4513		QM	RESISTOR		R7389	1-216-809-11	METAL CHIP 100 5% 1/10W		
4514		QM	RESISTOR		R7390	1-216-809-11	METAL CHIP 100 5% 1/10W		
4515		QM	RESISTOR		R7391	1-216-833-11	METAL CHIP 10K 5% 1/10W		
4516		QM	RESISTOR		R7392	1-216-833-11	METAL CHIP 10K 5% 1/10W		
4517		QM	RESISTOR		R7393	1-216-833-11	METAL CHIP 10K 5% 1/10W		
4518		QM	RESISTOR		R7400	1-216-829-11	METAL CHIP 4.7K 5% 1/10W		
4519		QM	RESISTOR		R7401	1-218-667-11	METAL CHIP 91 0.5% 1/10W		
4520		QM	RESISTOR		R7402	1-218-667-11	METAL CHIP 91 0.5% 1/10W		
4521		QM	RESISTOR		R7403	1-218-692-11	METAL CHIP 1K 0.5% 1/10W		
4522		QM	RESISTOR		R7404	1-218-692-11	METAL CHIP 1K 0.5% 1/10W		
4523		QM	RESISTOR		R7405	1-216-801-11	METAL CHIP 22 5% 1/10W		
4524		QM	RESISTOR		R7406	1-216-801-11	METAL CHIP 22 5% 1/10W		
4525		QM	RESISTOR		R7407	1-216-801-11	METAL CHIP 22 5% 1/10W		
4526		QM	RESISTOR		R7408	1-216-801-11	METAL CHIP 22 5% 1/10W		

No.	#	Board	Type	Δ /*	Ref. No.	Part No.	Description	Remarks-1	Remarks-2
4527		QM	RESISTOR		R7410	1-216-801-11	METAL CHIP 22 5% 1/10W		
4528		QM	RESISTOR		R7411	1-216-801-11	METAL CHIP 22 5% 1/10W		
4529		QM	RESISTOR		R7413	1-216-803-11	METAL CHIP 33 5% 1/10W		
4530		QM	RESISTOR		R7414	1-216-803-11	METAL CHIP 33 5% 1/10W		
4531		QM	RESISTOR		R7415	1-216-803-11	METAL CHIP 33 5% 1/10W		
4532		QM	RESISTOR		R7416	1-216-803-11	METAL CHIP 33 5% 1/10W		
4533		QM	RESISTOR		R7417	1-216-803-11	METAL CHIP 33 5% 1/10W		
4534		QM	RESISTOR		R7418	1-216-803-11	METAL CHIP 33 5% 1/10W		
4535		QM	RESISTOR		R7419	1-216-803-11	METAL CHIP 33 5% 1/10W		
4536		QM	RESISTOR		R7420	1-216-803-11	METAL CHIP 33 5% 1/10W		
4537		QM	RESISTOR		R7421	1-216-833-11	METAL CHIP 10K 5% 1/10W		
4538		QM	RESISTOR		R7422	1-216-825-11	METAL CHIP 2.2K 5% 1/10W		
4539		QM	RESISTOR		R7423	1-216-833-11	METAL CHIP 10K 5% 1/10W		
4540		QM	RESISTOR		R7424	1-216-825-11	METAL CHIP 2.2K 5% 1/10W		
4541		QM	RESISTOR		R7425	1-216-825-11	METAL CHIP 2.2K 5% 1/10W		
4542		QM	RESISTOR		R7426	1-216-833-11	METAL CHIP 10K 5% 1/10W		
4543		QM	RESISTOR		R7427	1-216-825-11	METAL CHIP 2.2K 5% 1/10W		
4544		QM	RESISTOR		R7428	1-216-825-11	METAL CHIP 2.2K 5% 1/10W		
4545		QM	RESISTOR		R7429	1-216-809-11	METAL CHIP 100 5% 1/10W		
4546		QM	RESISTOR		R7430	1-216-809-11	METAL CHIP 100 5% 1/10W		
4547		QM	RESISTOR		R7431	1-216-825-11	METAL CHIP 2.2K 5% 1/10W		
4548		QM	RESISTOR		R7432	1-216-864-11	SHORT CHIP 0		
4549		QM	RESISTOR		R7433	1-216-864-11	SHORT CHIP 0		
4550		QM	RESISTOR		R7434	1-216-825-11	METAL CHIP 2.2K 5% 1/10W		
4551		QM	RESISTOR		R7435	1-216-825-11	METAL CHIP 2.2K 5% 1/10W		
4552		QM	RESISTOR		R7436	1-216-825-11	METAL CHIP 2.2K 5% 1/10W		
4553		QM	RESISTOR		R7437	1-216-825-11	METAL CHIP 2.2K 5% 1/10W		
4554		QM	RESISTOR		R7438	1-216-825-11	METAL CHIP 2.2K 5% 1/10W		
4555		QM	RESISTOR		R7439	1-216-825-11	METAL CHIP 2.2K 5% 1/10W		
4556		QM	RESISTOR		R7440	1-216-825-11	METAL CHIP 2.2K 5% 1/10W		
4557		QM	RESISTOR		R7441	1-216-825-11	METAL CHIP 2.2K 5% 1/10W		
4558		QM	RESISTOR		R7442	1-216-825-11	METAL CHIP 2.2K 5% 1/10W		
4559		QM	RESISTOR		R7443	1-216-825-11	METAL CHIP 2.2K 5% 1/10W		
4560		QM	RESISTOR		R7444	1-216-825-11	METAL CHIP 2.2K 5% 1/10W		
4561		QM	RESISTOR		R7445	1-216-864-11	SHORT CHIP 0		
4562		QM	RESISTOR		R7448	1-216-864-11	SHORT CHIP 0		
4563		QM	RESISTOR		R7451	1-216-864-11	SHORT CHIP 0		
4564		QM	RESISTOR		R7452	1-216-801-11	METAL CHIP 22 5% 1/10W		
4565		QM	RESISTOR		R7453	1-216-801-11	METAL CHIP 22 5% 1/10W		
4566		QM	RESISTOR		R7454	1-216-864-11	SHORT CHIP 0		
4567		QM	RESISTOR		R7455	1-216-809-11	METAL CHIP 100 5% 1/10W		
4568		QM	RESISTOR		R7456	1-216-801-11	METAL CHIP 22 5% 1/10W		
4569		QM	RESISTOR		R7457	1-216-845-11	METAL CHIP 100K 5% 1/10W		
4570		QM	RESISTOR		R7458	1-216-845-11	METAL CHIP 100K 5% 1/10W		
4571		QM	RESISTOR		R7459	1-216-801-11	METAL CHIP 22 5% 1/10W		
4572		QM	RESISTOR		R7460	1-216-821-11	METAL CHIP 1K 5% 1/10W		
4573		QM	RESISTOR		R7461	1-216-845-11	METAL CHIP 100K 5% 1/10W		
4574		QM	RESISTOR		R7462	1-218-690-11	METAL CHIP 820 0.5% 1/10W		
4575		QM	RESISTOR		R7463	1-218-690-11	METAL CHIP 820 0.5% 1/10W		
4576		QM	RESISTOR		R7464	1-218-708-11	METAL CHIP 4.7K 0.5% 1/10W		
4577		QM	RESISTOR		R7465	1-218-708-11	METAL CHIP 4.7K 0.5% 1/10W		
4578		QM	RESISTOR		R7466	1-216-833-11	METAL CHIP 10K 5% 1/10W		
4579		QM	RESISTOR		R7468	1-216-833-11	METAL CHIP 10K 5% 1/10W		
4580		QM	RESISTOR		R7469	1-216-837-11	METAL CHIP 22K 5% 1/10W		
4581		QM	RESISTOR		R7470	1-216-833-11	METAL CHIP 10K 5% 1/10W		
4582		QM	RESISTOR		R7471	1-216-829-11	METAL CHIP 4.7K 5% 1/10W		
4583		QM	RESISTOR		R7472	1-216-833-11	METAL CHIP 10K 5% 1/10W		
4584		QM	RESISTOR		R7473	1-216-829-11	METAL CHIP 4.7K 5% 1/10W		
4585		QM	RESISTOR		R7474	1-218-665-11	METAL CHIP 75 0.5% 1/10W		
4586		QM	RESISTOR		R7475	1-216-833-11	METAL CHIP 10K 5% 1/10W		
4587		QM	RESISTOR		R7476	1-216-829-11	METAL CHIP 4.7K 5% 1/10W		
4588		QM	RESISTOR		R7477	1-218-665-11	METAL CHIP 75 0.5% 1/10W		
4589		QM	RESISTOR		R7478	1-218-665-11	METAL CHIP 75 0.5% 1/10W		
4590		QM	RESISTOR		R7479	1-218-665-11	METAL CHIP 75 0.5% 1/10W		
4591		QM	RESISTOR		R7480	1-218-665-11	METAL CHIP 75 0.5% 1/10W		
4592		QM	RESISTOR		R7481	1-218-665-11	METAL CHIP 75 0.5% 1/10W		
4593		QM	RESISTOR		R7482	1-218-665-11	METAL CHIP 75 0.5% 1/10W		
4594		QM	RESISTOR		R7483	1-216-833-11	METAL CHIP 10K 5% 1/10W		
4595		QM	RESISTOR		R7484	1-216-850-11	METAL CHIP 270K 5% 1/10W		
4596		QM	RESISTOR		R7485	1-216-850-11	METAL CHIP 270K 5% 1/10W		
4597		QM	RESISTOR		R7486	1-216-833-11	METAL CHIP 10K 5% 1/10W		
4598		QM	RESISTOR		R7487	1-216-833-11	METAL CHIP 10K 5% 1/10W		
4599		QM	RESISTOR		R7488	1-216-818-11	METAL CHIP 560 5% 1/10W		

No.	#	Board	Type	△/*	Ref. No.	Part No.	Description	Remarks-1	Remarks-2
4600		QM	RESISTOR		R7489	1-216-818-11	METAL CHIP 560 5% 1/10W		
4601		QM	RESISTOR		R7490	1-216-821-11	METAL CHIP 1K 5% 1/10W		
4602		QM	RESISTOR		R7491	1-216-821-11	METAL CHIP 1K 5% 1/10W		
4603		QM	RESISTOR		R7493	1-216-809-11	METAL CHIP 100 5% 1/10W		
4604		QM	RESISTOR		R7494	1-216-809-11	METAL CHIP 100 5% 1/10W		
4605		QM	RESISTOR		R7497	1-216-821-11	METAL CHIP 1K 5% 1/10W		
4606		QM	RESISTOR		R7498	1-216-821-11	METAL CHIP 1K 5% 1/10W		
4607		QM	RESISTOR		R7499	1-216-821-11	METAL CHIP 1K 5% 1/10W		
4608		QM	RESISTOR		R7500	1-216-821-11	METAL CHIP 1K 5% 1/10W		
4609		QM	RESISTOR		R7501	1-216-841-11	METAL CHIP 47K 5% 1/10W		
4610		QM	RESISTOR		R7502	1-216-833-11	METAL CHIP 10K 5% 1/10W		
4611		QM	RESISTOR		R7503	1-216-821-11	METAL CHIP 1K 5% 1/10W		
4612		QM	RESISTOR		R7504	1-216-864-11	SHORT CHIP 0		
4613		QM	RESISTOR		R7505	1-216-833-11	METAL CHIP 10K 5% 1/10W		
4614		QM	RESISTOR		R7506	1-216-845-11	METAL CHIP 100K 5% 1/10W		
4615		QM	RESISTOR		R7507	1-216-845-11	METAL CHIP 100K 5% 1/10W		
4616		QM	RESISTOR		R7508	1-216-864-11	SHORT CHIP 0		
4617		QM	RESISTOR		R7509	1-216-801-11	METAL CHIP 22 5% 1/10W		
4618		QM	RESISTOR		R7510	1-216-833-11	METAL CHIP 10K 5% 1/10W		
4619		QM	RESISTOR		R7512	1-216-864-11	SHORT CHIP 0		
4620		QM	RESISTOR		R7513	1-216-864-11	SHORT CHIP 0		
4621		QM	RESISTOR		R7514	1-216-864-11	SHORT CHIP 0		
4622		QM	RESISTOR		R7515	1-216-864-11	SHORT CHIP 0		
4623		QM	RESISTOR		R7516	1-216-864-11	SHORT CHIP 0		
4624		QM	RESISTOR		R7517	1-216-835-11	METAL CHIP 15K 5% 1/10W		
4625		QM	RESISTOR		R7518	1-216-835-11	METAL CHIP 15K 5% 1/10W		
4626		QM	RESISTOR		R7519	1-216-835-11	METAL CHIP 15K 5% 1/10W		
4627		QM	RESISTOR		R7520	1-216-835-11	METAL CHIP 15K 5% 1/10W		
4628		QM	RESISTOR		R7543	1-216-833-11	METAL CHIP 10K 5% 1/10W		
4629		QM	RESISTOR		R7546	1-216-864-11	SHORT CHIP 0		
4630		QM	RESISTOR		R7547	1-216-864-11	SHORT CHIP 0		
4631		QM	RESISTOR		R7549	1-216-801-11	METAL CHIP 22 5% 1/10W		
4632		QM	RESISTOR		R7550	1-216-801-11	METAL CHIP 22 5% 1/10W		
4633		QM	RESISTOR		R7551	1-216-801-11	METAL CHIP 22 5% 1/10W		
4634		QM	RESISTOR		R7552	1-216-801-11	METAL CHIP 22 5% 1/10W		
4635		QM	RESISTOR		R7554	1-216-809-11	METAL CHIP 100 5% 1/10W		
4636		QM	RESISTOR		R7556	1-216-825-11	METAL CHIP 2.2K 5% 1/10W		
4637		QM	RESISTOR		R7557	1-216-833-11	METAL CHIP 10K 5% 1/10W		
4638		QM	RESISTOR		R7558	1-216-809-11	METAL CHIP 100 5% 1/10W		
4639		QM	RESISTOR		R7559	1-216-833-11	METAL CHIP 10K 5% 1/10W		
4640		QM	RESISTOR		R7562	1-216-801-11	METAL CHIP 22 5% 1/10W		
4641		QM	RESISTOR		R7563	1-216-801-11	METAL CHIP 22 5% 1/10W		
4642		QM	RESISTOR		R7564	1-216-864-11	SHORT CHIP 0		
4643		QM	RESISTOR		R7565	1-216-864-11	SHORT CHIP 0		
4644		QM	RESISTOR		R7566	1-216-864-11	SHORT CHIP 0		
4645		QM	RESISTOR		R7567	1-216-864-11	SHORT CHIP 0		
4646		QM	RESISTOR		R7568	1-216-864-11	SHORT CHIP 0		
4647		QM	RESISTOR		R7569	1-216-864-11	SHORT CHIP 0		
4648		QM	RESISTOR		R7570	1-216-864-11	SHORT CHIP 0		
4649		QM	RESISTOR		R7571	1-216-864-11	SHORT CHIP 0		
4650		QM	RESISTOR		R7572	1-216-864-11	SHORT CHIP 0		
4651		QM	RESISTOR		R7573	1-216-864-11	SHORT CHIP 0		
4652		QM	NETWORK		RB7300	1-234-370-21	RES, NETWORK 22X4 (1005)		
4653		QM	NETWORK		RB7301	1-234-370-21	RES, NETWORK 22X4 (1005)		
4654		QM	NETWORK		RB7302	1-234-370-21	RES, NETWORK 22X4 (1005)		
4655		QM	NETWORK		RB7303	1-234-370-21	RES, NETWORK 22X4 (1005)		
4656		QM	NETWORK		RB7304	1-234-370-21	RES, NETWORK 22X4 (1005)		
4657		QM	NETWORK		RB7305	1-234-370-21	RES, NETWORK 22X4 (1005)		
4658		QM	NETWORK		RB7306	1-234-370-21	RES, NETWORK 22X4 (1005)		
4659		QM	NETWORK		RB7307	1-234-370-21	RES, NETWORK 22X4 (1005)		
4660		QM	NETWORK		RB7308	1-236-908-11	RES, CHIP NETWORK 10K		
4661		QM	NETWORK		RB7315	1-236-908-11	RES, CHIP NETWORK 10K		
4662		QM	NETWORK		RB7316	1-236-908-11	RES, CHIP NETWORK 10K		
4663		QM	NETWORK		RB7317	1-234-370-21	RES, NETWORK 22X4 (1005)		
4664		QM	NETWORK		RB7318	1-234-370-21	RES, NETWORK 22X4 (1005)		
4665		QM	NETWORK		RB7319	1-234-370-21	RES, NETWORK 22X4 (1005)		
4666		QM	NETWORK		RB7320	1-234-370-21	RES, NETWORK 22X4 (1005)		
4667		QM	NETWORK		RB7321	1-234-370-21	RES, NETWORK 22X4 (1005)		
4668		QM	NETWORK		RB7322	1-234-370-21	RES, NETWORK 22X4 (1005)		
4669		QM	NETWORK		RB7323	1-234-370-21	RES, NETWORK 22X4 (1005)		
4670		QM	NETWORK		RB7324	1-234-370-21	RES, NETWORK 22X4 (1005)		
4671		QM	NETWORK		RB7325	1-234-370-21	RES, NETWORK 22X4 (1005)		
4672		QM	NETWORK		RB7326	1-234-370-21	RES, NETWORK 22X4 (1005)		

No.	#	Board	Type	△/*	Ref. No.	Part No.	Description	Remarks-1	Remarks-2
4673		QM	NETWORK		RB7327	1-234-370-21	RES, NETWORK 22X4 (1005)		
4674		QM	NETWORK		RB7328	1-234-370-21	RES, NETWORK 22X4 (1005)		
4675		QM	NETWORK		RB7329	1-242-963-21	RES, NETWORK 33X4 (1005)		
4676		QM	NETWORK		RB7330	1-242-963-21	RES, NETWORK 33X4 (1005)		
4677		QM	NETWORK		RB7331	1-242-963-21	RES, NETWORK 33X4 (1005)		
4678		QM	NETWORK		RB7332	1-242-963-21	RES, NETWORK 33X4 (1005)		
4679		QM	NETWORK		RB7333	1-242-963-21	RES, NETWORK 33X4 (1005)		
4680		QM	NETWORK		RB7334	1-242-963-21	RES, NETWORK 33X4 (1005)		
4681		QM	NETWORK		RB7335	1-242-963-21	RES, NETWORK 33X4 (1005)		
4682		QM	NETWORK		RB7336	1-242-963-21	RES, NETWORK 33X4 (1005)		
4683		QM	NETWORK		RB7337	1-242-963-21	RES, NETWORK 33X4 (1005)		
4684		QM	NETWORK		RB7338	1-242-963-21	RES, NETWORK 33X4 (1005)		
4685		QM	NETWORK		RB7339	1-242-963-21	RES, NETWORK 33X4 (1005)		
4686		QM	NETWORK		RB7340	1-242-963-21	RES, NETWORK 33X4 (1005)		
4687		QM	NETWORK		RB7341	1-242-963-21	RES, NETWORK 33X4 (1005)		
4688		QM	NETWORK		RB7342	1-242-963-21	RES, NETWORK 33X4 (1005)		
4689		QM	NETWORK		RB7343	1-242-963-21	RES, NETWORK 33X4 (1005)		
4690		QM	NETWORK		RB7344	1-242-963-21	RES, NETWORK 33X4 (1005)		
4691		QM	NETWORK		RB7345	1-234-370-21	RES, NETWORK 22X4 (1005)		
4692		QM	NETWORK		RB7346	1-234-370-21	RES, NETWORK 22X4 (1005)		
4693		QM	NETWORK		RB7347	1-234-370-21	RES, NETWORK 22X4 (1005)		
4694		QM	NETWORK		RB7348	1-234-370-21	RES, NETWORK 22X4 (1005)		
4695		QM	NETWORK		RB7349	1-234-370-21	RES, NETWORK 22X4 (1005)		
4696		QM	NETWORK		RB7350	1-234-370-21	RES, NETWORK 22X4 (1005)		
4697		QM	NETWORK		RB7351	1-234-370-21	RES, NETWORK 22X4 (1005)		
4698		QM	NETWORK		RB7352	1-234-370-21	RES, NETWORK 22X4 (1005)		
4699		QM	NETWORK		RB7353	1-234-370-21	RES, NETWORK 22X4 (1005)		
4700		QM	NETWORK		RB7354	1-234-370-21	RES, NETWORK 22X4 (1005)		
4701		QM	NETWORK		RB7355	1-234-370-21	RES, NETWORK 22X4 (1005)		
4702		QM	NETWORK		RB7356	1-234-370-21	RES, NETWORK 22X4 (1005)		
4703		QM	NETWORK		RB7357	1-234-370-21	RES, NETWORK 22X4 (1005)		
4704		QM	NETWORK		RB7360	1-234-370-21	RES, NETWORK 22X4 (1005)		
4705		QM	NETWORK		RB7361	1-234-370-21	RES, NETWORK 22X4 (1005)		
4706		QM	NETWORK		RB7362	1-234-370-21	RES, NETWORK 22X4 (1005)		
4707		QM	NETWORK		RB7363	1-234-370-21	RES, NETWORK 22X4 (1005)		
4708		QM	NETWORK		RB7364	1-234-370-21	RES, NETWORK 22X4 (1005)		
4709		QM	NETWORK		RB7365	1-234-370-21	RES, NETWORK 22X4 (1005)		
4710		QM	NETWORK		RB7366	1-234-370-21	RES, NETWORK 22X4 (1005)		
4711		QM	NETWORK		RB7367	1-234-370-21	RES, NETWORK 22X4 (1005)		
4712		QM	NETWORK		RB7368	1-234-370-21	RES, NETWORK 22X4 (1005)		
4713		QM	NETWORK		RB7369	1-234-370-21	RES, NETWORK 22X4 (1005)		
4714		QM	CRYSTAL		X7300	1-579-922-11	VIBRATOR, CRYSTAL (CHIP TYPE)		
4715		H1	CAPACITOR		C9504	1-163-031-91	CERAMIC CHIP 0.01UF 50V		
4716		H1	CAPACITOR		C9506	1-163-038-91	CERAMIC CHIP 0.1UF 25V		
4717		H1	CAPACITOR		C9507	1-163-038-91	CERAMIC CHIP 0.1UF 25V		
4718		H1	CONNECTOR	*	CN9503	1-760-388-11	CONNECTOR PIN (SMD) 9P		
4719		H1	DIODE		D9520	6-500-487-01	DIODE SMLU12D16W		
4720		H1	DIODE		D9521	8-719-081-23	DIODE L-53SRD-H		
4721		H1	DIODE		D9525	8-719-081-23	DIODE L-53SRD-H		
4722		H1	TRANSISTOR		Q9511	8-729-216-22	TRANSISTOR 2SA1162-G		
4723		H1	TRANSISTOR		Q9512	1-801-806-11	TR DTC144EKA		
4724		H1	TRANSISTOR		Q9513	1-801-806-11	TR DTC144EKA		
4725		H1	TRANSISTOR		Q9514	1-801-806-11	TR DTC144EKA		
4726		H1	TRANSISTOR		Q9515	8-729-216-22	TRANSISTOR 2SA1162-G		
4727		H1	TRANSISTOR		Q9516	1-801-806-11	TR DTC144EKA		
4728		H1	TRANSISTOR		Q9517	1-801-806-11	TR DTC144EKA		
4729		H1	RESISTOR		R9517	1-216-295-91	SHORT CHIP 0		
4730		H1	RESISTOR		R9518	1-216-049-11	RES-CHIP 1K 5% 1/10W		
4731		H1	RESISTOR		R9519	1-216-073-91	METAL CHIP 10K 5% 1/10W		
4732		H1	RESISTOR		R9520	1-216-029-00	RES-CHIP 150 5% 1/10W		
4733		H1	RESISTOR		R9521	1-216-073-91	METAL CHIP 10K 5% 1/10W		
4734		H1	RESISTOR		R9522	1-216-049-11	RES-CHIP 1K 5% 1/10W		
4735		H1	RESISTOR		R9523	1-216-073-91	METAL CHIP 10K 5% 1/10W		
4736		H1	RESISTOR		R9524	1-216-033-00	RES-CHIP 220 5% 1/10W		
4737		H1	RESISTOR		R9525	1-216-041-00	RES-CHIP 470 5% 1/10W		
4738		H1	RESISTOR		R9526	1-216-073-91	METAL CHIP 10K 5% 1/10W		
4739		H1	RESISTOR		R9527	1-216-041-00	RES-CHIP 470 5% 1/10W		
4740		H1	RESISTOR		R9529	1-216-073-91	METAL CHIP 10K 5% 1/10W		
4741		H1	RESISTOR		R9530	1-216-073-91	METAL CHIP 10K 5% 1/10W		
4742		H1	RESISTOR		R9533	1-216-046-00	RES-CHIP 750 5% 1/10W		
4743		H1	SWITCH		S9501	1-554-419-00	SWITCH, PUSH (1 KEY)		
4744		H2	CAPACITOR		C9602	1-137-980-91	CERAMIC CHIP 0.47UF 10% 50V		
4745		H2	CAPACITOR		C9603	1-126-603-11	ELECT CHIP 4.7UF 20.00% 35V		

No.	#	Board	Type	△/*	Ref. No.	Part No.	Description	Remarks-1	Remarks-2
4746		H2	CAPACITOR		C9604	1-126-603-11	ELECT CHIP 4.7UF 20.00% 35V		
4747		H2	CAPACITOR		C9605	1-124-779-00	ELECT CHIP 10UF 20.00% 16V		
4748		H2	CAPACITOR		C9606	1-124-779-00	ELECT CHIP 10UF 20.00% 16V		
4749		H2	CAPACITOR		C9801	1-165-875-11	CERAMIC CHIP 10UF 10% 10V		
4750		H2	CAPACITOR		C9802	1-115-339-11	CERAMIC CHIP 0.1UF 10.00% 50V		
4751		H2	CAPACITOR		C9803	1-163-031-91	CERAMIC CHIP 0.01UF 50V		
4752		H2	CAPACITOR		C9804	1-163-031-91	CERAMIC CHIP 0.01UF 50V		
4753		H2	CONNECTOR	*	CN9601	1-764-007-11	PIN, CONNECTOR (SMD) 12P		
4754		H2	CONNECTOR	*	CN9802	1-764-097-11	PIN, CONNECTOR (PC BOARD) 12P		
4755		H2	CONNECTOR	*	CN9803	1-760-388-11	CONNECTOR PIN (SMD) 9P		
4756		H2	DIODE		D9601	8-719-977-28	DIODE DTZ10B		
4757		H2	DIODE		D9603	8-719-977-28	DIODE DTZ10B		
4758		H2	DIODE		D9604	8-719-977-28	DIODE DTZ10B		
4759		H2	DIODE		D9605	8-719-977-28	DIODE DTZ10B		
4760		H2	DIODE		D9606	8-719-977-28	DIODE DTZ10B		
4761		H2	DIODE		D9607	8-719-977-28	DIODE DTZ10B		
4762		H2	DIODE		D9801	6-500-763-01	DIODE E1L49-AWOC2-01		
4763		H2	DIODE		D9802	6-500-763-01	DIODE E1L49-AWOC2-01		
4764		H2	DIODE		D9803	6-500-763-01	DIODE E1L49-AWOC2-01		
4765		H2	DIODE		D9804	6-500-763-01	DIODE E1L49-AWOC2-01		
4766		H2	DIODE		D9805	6-500-763-01	DIODE E1L49-AWOC2-01		
4767		H2	DIODE		D9806	6-500-763-01	DIODE E1L49-AWOC2-01		
4768		H2	DIODE		D9807	8-719-024-77	DIODE HN1D03FU-TE85L		
4769		H2	DIODE		D9809	8-719-069-55	DIODE UDZSTE-175.6B		
4770		H2	DIODE		D9812	6-500-763-01	DIODE E1L49-AWOC2-01		
4771		H2	IC		IC9801	8-759-567-08	IC MB88141APF-ER		
4772		H2	JACK		J9601	1-694-980-31	TERMINAL BOARD (S TERMINAL+3P)		
4773		H2	TRANSISTOR		Q9801	1-801-806-11	TR DTC144EKA		
4774		H2	TRANSISTOR		Q9802	1-801-806-11	TR DTC144EKA		
4775		H2	TRANSISTOR		Q9803	1-801-806-11	TR DTC144EKA		
4776		H2	TRANSISTOR		Q9804	1-801-806-11	TR DTC144EKA		
4777		H2	TRANSISTOR		Q9805	1-801-806-11	TR DTC144EKA		
4778		H2	TRANSISTOR		Q9806	1-801-806-11	TR DTC144EKA		
4779		H2	TRANSISTOR		Q9807	1-801-806-11	TR DTC144EKA		
4780		H2	RESISTOR		R9601	1-216-029-00	RES-CHIP 150 5% 1/10W		
4781		H2	RESISTOR		R9602	1-216-029-00	RES-CHIP 150 5% 1/10W		
4782		H2	RESISTOR		R9603	1-216-029-00	RES-CHIP 150 5% 1/10W		
4783		H2	RESISTOR		R9604	1-216-105-91	RES-CHIP 220K 5% 1/10W		
4784		H2	RESISTOR		R9605	1-216-105-91	RES-CHIP 220K 5% 1/10W		
4785		H2	RESISTOR		R9606	1-216-029-00	RES-CHIP 150 5% 1/10W		
4786		H2	RESISTOR		R9607	1-216-029-00	RES-CHIP 150 5% 1/10W		
4787		H2	RESISTOR		R9608	1-216-029-00	RES-CHIP 150 5% 1/10W		
4788		H2	RESISTOR		R9802	1-216-025-11	RES-CHIP 100 5% 1/10W		
4789		H2	RESISTOR		R9803	1-216-025-11	RES-CHIP 100 5% 1/10W		
4790		H2	RESISTOR		R9804	1-216-025-11	RES-CHIP 100 5% 1/10W		
4791		H2	RESISTOR		R9805	1-216-295-91	SHORT CHIP 0		
4792		H2	RESISTOR		R9806	1-216-025-11	RES-CHIP 100 5% 1/10W		
4793		H2	RESISTOR		R9807	1-216-025-11	RES-CHIP 100 5% 1/10W		
4794		H2	RESISTOR		R9808	1-216-025-11	RES-CHIP 100 5% 1/10W		
4795		H2	RESISTOR		R9809	1-216-025-11	RES-CHIP 100 5% 1/10W		
4796		H2	RESISTOR		R9810	1-216-025-11	RES-CHIP 100 5% 1/10W		
4797		H2	RESISTOR		R9811	1-216-025-11	RES-CHIP 100 5% 1/10W		
4798		H2	RESISTOR		R9812	1-216-025-11	RES-CHIP 100 5% 1/10W		
4799		H2	RESISTOR		R9813	1-216-295-91	SHORT CHIP 0		
4800		H2	RESISTOR		R9816	1-216-295-91	SHORT CHIP 0		
4801		H3	CONNECTOR	*	CN9705	1-580-055-21	PIN, CONNECTOR (SMD) 2P		
4802		H3	RESISTOR		R9702	1-216-679-11	METAL CHIP 15K 0.5% 1/10W		
4803		H3	RESISTOR		R9704	1-216-667-11	METAL CHIP 4.7K 0.5% 1/10W		
4804		H3	RESISTOR		R9706	1-216-659-11	METAL CHIP 2.2K 0.5% 1/10W		
4805		H3	RESISTOR		R9708	1-216-651-11	METAL CHIP 1K 0.5% 1/10W		
4806		H3	RESISTOR		R9710	1-216-647-11	METAL CHIP 680 0.5% 1/10W		
4807		H3	SWITCH		S9702	1-572-921-11	SWITCH, KEY BOARD		
4808		H3	SWITCH		S9704	1-572-921-11	SWITCH, KEY BOARD		
4809		H3	SWITCH		S9706	1-572-921-11	SWITCH, KEY BOARD		
4810		H3	SWITCH		S9708	1-572-921-11	SWITCH, KEY BOARD		
4811		H3	SWITCH		S9710	1-572-921-11	SWITCH, KEY BOARD		
4812		H3	SWITCH		S9712	1-572-921-11	SWITCH, KEY BOARD		
4813		H4	CONNECTOR	*	CN9704	1-580-055-21	PIN, CONNECTOR (SMD) 2P		
4814		H4	CONNECTOR		CN9707	1-580-056-21	PIN, CONNECTOR (SMD) 3P		
4815		H4	RESISTOR		R9703	1-216-667-11	METAL CHIP 4.7K 0.5% 1/10W		
4816		H4	RESISTOR		R9705	1-216-659-11	METAL CHIP 2.2K 0.5% 1/10W		
4817		H4	RESISTOR		R9707	1-216-651-11	METAL CHIP 1K 0.5% 1/10W		
4818		H4	RESISTOR		R9709	1-216-647-11	METAL CHIP 680 0.5% 1/10W		

No.	#	Board	Type	△/*	Ref. No.	Part No.	Description	Remarks-1	Remarks-2
4819		H4	RESISTOR		R9711	1-216-643-11	METAL CHIP 470 0.5% 1/10W		
4820		H4	RESISTOR		R9712	1-216-643-11	METAL CHIP 470 0.5% 1/10W		
4821		H4	SWITCH		S9701	1-572-921-11	SWITCH, KEY BOARD		
4822		H4	SWITCH		S9703	1-572-921-11	SWITCH, KEY BOARD		
4823		H4	SWITCH		S9705	1-572-921-11	SWITCH, KEY BOARD		
4824		H4	SWITCH		S9707	1-572-921-11	SWITCH, KEY BOARD		
4825		H4	SWITCH		S9709	1-572-921-11	SWITCH, KEY BOARD		
4826		H4	SWITCH		S9711	1-572-921-11	SWITCH, KEY BOARD		
4827		H4	SWITCH		S9713	1-572-921-11	SWITCH, KEY BOARD		
4828		QH	CAPACITOR		C7203	1-162-910-11	CERAMIC CHIP 5PF 0.25PF 50V		
4829		QH	CAPACITOR		C7204	1-162-911-11	CERAMIC CHIP 6PF 0.50PF 50V		
4830		QH	CAPACITOR		C7205	1-162-970-11	CERAMIC CHIP 0.01UF 10.00% 25V		
4831		QH	CAPACITOR		C7206	1-162-970-11	CERAMIC CHIP 0.01UF 10.00% 25V		
4832		QH	CAPACITOR		C7207	1-107-826-11	CERAMIC CHIP 0.1UF 10.00% 16V		
4833		QH	CAPACITOR		C7208	1-162-970-11	CERAMIC CHIP 0.01UF 10.00% 25V		
4834		QH	CAPACITOR		C7209	1-125-837-91	CERAMIC CHIP 1UF 10% 6.3V		
4835		QH	CAPACITOR		C7210	1-107-826-11	CERAMIC CHIP 0.1UF 10.00% 16V		
4836		QH	CAPACITOR		C7211	1-127-760-11	CERAMIC CHIP 4.7UF 10% 6.3V		
4837		QH	CAPACITOR		C7212	1-125-837-91	CERAMIC CHIP 1UF 10% 6.3V		
4838		QH	CAPACITOR		C7213	1-162-970-11	CERAMIC CHIP 0.01UF 10.00% 25V		
4839		QH	CAPACITOR		C7215	1-164-156-11	CERAMIC CHIP 0.1UF 25V		
4840		QH	CAPACITOR		C7216	1-162-970-11	CERAMIC CHIP 0.01UF 10.00% 25V		
4841		QH	CAPACITOR		C7217	1-125-837-91	CERAMIC CHIP 1UF 10% 6.3V		
4842		QH	CAPACITOR		C7218	1-164-156-11	CERAMIC CHIP 0.1UF 25V		
4843		QH	CAPACITOR		C7219	1-164-156-11	CERAMIC CHIP 0.1UF 25V		
4844		QH	CAPACITOR		C7220	1-164-156-11	CERAMIC CHIP 0.1UF 25V		
4845		QH	CAPACITOR		C7221	1-164-156-11	CERAMIC CHIP 0.1UF 25V		
4846		QH	CAPACITOR		C7224	1-164-156-11	CERAMIC CHIP 0.1UF 25V		
4847		QH	CONNECTOR	*	CN7201	1-784-010-11	CONNECTOR, USB (B)		
4848		QH	CONNECTOR		CN7202	1-695-915-11	TAB (CONTACT)		
4849		QH	CONNECTOR	*	CN7204	1-816-402-12	CONNECTOR, MEMORY STICK		
4850		QH	DIODE		D7201	8-719-800-76	DIODE 1SS226		
4851		QH	DIODE		D7202	8-719-083-58	DIODE UDZSTE-173.9B		
4852		QH	DIODE		D7210	6-500-182-01	DIODE L1503CB/ID		
4853		QH	DIODE		D7212	8-719-083-58	DIODE UDZSTE-173.9B		
4854		QH	FERRITE BEAD		FB7201	1-414-921-11	FERRITE 0UH		
4855		QH	FERRITE BEAD		FB7202	1-414-921-11	FERRITE 0UH		
4856		QH	FERRITE BEAD		FB7203	1-414-921-11	FERRITE 0UH		
4857		QH	IC		IC7201	6-703-076-01	IC XC6204B332MR		
4858		QH	IC		IC7202	6-704-548-01	IC 90C36LC1B		
4859		QH	IC		IC7203	6-704-067-01	IC M24128-BWMN6T(A)		
4860		QH	COIL		L7201	1-414-394-11	INDUCTOR 2.2UH		
4861		QH	TRANSISTOR		Q7201	8-729-424-02	TRANSISTOR 2SB709A-QRS-TX		
4862		QH	TRANSISTOR		Q7202	8-729-422-27	TRANSISTOR 2SD601A-Q		
4863		QH	RESISTOR		R7201	1-216-864-11	SHORT CHIP 0		
4864		QH	RESISTOR		R7202	1-414-228-11	FERRITE 0UH		
4865		QH	RESISTOR		R7203	1-216-837-11	METAL CHIP 22K 5% 1/10W		
4866		QH	RESISTOR		R7204	1-216-809-11	METAL CHIP 100 5% 1/10W		
4867		QH	RESISTOR		R7206	1-216-857-11	METAL CHIP 1M 5% 1/10W		
4868		QH	RESISTOR		R7209	1-414-228-11	FERRITE 0UH		
4869		QH	RESISTOR		R7210	1-216-803-11	METAL CHIP 33 5% 1/10W		
4870		QH	RESISTOR		R7211	1-216-821-11	METAL CHIP 1K 5% 1/10W		
4871		QH	RESISTOR		R7212	1-216-803-11	METAL CHIP 33 5% 1/10W		
4872		QH	RESISTOR		R7214	1-216-823-11	METAL CHIP 1.5K 5% 1/10W		
4873		QH	RESISTOR		R7215	1-414-228-11	FERRITE 0UH		
4874		QH	RESISTOR		R7216	1-216-821-11	METAL CHIP 1K 5% 1/10W		
4875		QH	RESISTOR		R7217	1-216-821-11	METAL CHIP 1K 5% 1/10W		
4876		QH	RESISTOR		R7218	1-218-708-11	METAL CHIP 4.7K 0.5% 1/10W		
4877		QH	RESISTOR		R7219	1-218-708-11	METAL CHIP 4.7K 0.5% 1/10W		
4878		QH	RESISTOR		R7221	1-216-821-11	METAL CHIP 1K 5% 1/10W		
4879		QH	RESISTOR		R7222	1-216-811-11	METAL CHIP 150 5% 1/10W		
4880		QH	RESISTOR		R7223	1-216-809-11	METAL CHIP 100 5% 1/10W		
4881		QH	RESISTOR		R7224	1-216-809-11	METAL CHIP 100 5% 1/10W		
4882		QH	RESISTOR		R7225	1-216-809-11	METAL CHIP 100 5% 1/10W		
4883		QH	RESISTOR		R7226	1-216-864-11	SHORT CHIP 0		
4884		QH	RESISTOR		R7227	1-216-864-11	SHORT CHIP 0		
4885		QH	RESISTOR		R7228	1-216-864-11	SHORT CHIP 0		
4886		QH	RESISTOR		R7229	1-216-821-11	METAL CHIP 1K 5% 1/10W		
4887		QH	RESISTOR		R7231	1-216-825-11	METAL CHIP 2.2K 5% 1/10W		
4888		QH	CRYSTAL		X7201	1-760-965-21	VIBRATOR, CRYSTAL		
4889		UD	CAPACITOR		C7000	1-162-970-11	CERAMIC CHIP 0.01UF 10.00% 25V		
4890		UD	CAPACITOR		C7001	1-162-970-11	CERAMIC CHIP 0.01UF 10.00% 25V		
4891		UD	CAPACITOR		C7002	1-162-970-11	CERAMIC CHIP 0.01UF 10.00% 25V		

No.	#	Board	Type	Δ / [*]	Ref. No.	Part No.	Description	Remarks-1	Remarks-2
4892		UD	CAPACITOR		C7003	1-162-970-11	CERAMIC CHIP 0.01UF 10.00% 25V		
4893		UD	CAPACITOR		C7004	1-162-970-11	CERAMIC CHIP 0.01UF 10.00% 25V		
4894		UD	CAPACITOR		C7005	1-162-970-11	CERAMIC CHIP 0.01UF 10.00% 25V		
4895		UD	CAPACITOR		C7006	1-162-970-11	CERAMIC CHIP 0.01UF 10.00% 25V		
4896		UD	CAPACITOR		C7007	1-162-970-11	CERAMIC CHIP 0.01UF 10.00% 25V		
4897		UD	CAPACITOR		C7008	1-164-156-11	CERAMIC CHIP 0.1UF 25V		
4898		UD	CAPACITOR		C7009	1-164-156-11	CERAMIC CHIP 0.1UF 25V		
4899		UD	CAPACITOR		C7010	1-162-970-11	CERAMIC CHIP 0.01UF 10.00% 25V		
4900		UD	CAPACITOR		C7011	1-126-395-11	ELECT CHIP 22UF 20.00% 16V		
4901		UD	CAPACITOR		C7012	1-162-970-11	CERAMIC CHIP 0.01UF 10.00% 25V		
4902		UD	CAPACITOR		C7013	1-164-156-11	CERAMIC CHIP 0.1UF 25V		
4903		UD	CAPACITOR		C7014	1-164-156-11	CERAMIC CHIP 0.1UF 25V		
4904		UD	CAPACITOR		C7016	1-164-156-11	CERAMIC CHIP 0.1UF 25V		
4905		UD	CAPACITOR		C7017	1-124-779-00	ELECT CHIP 10UF 20.00% 16V		
4906		UD	CAPACITOR		C7018	1-126-395-11	ELECT CHIP 22UF 20.00% 16V		
4907		UD	CAPACITOR		C7020	1-126-395-11	ELECT CHIP 22UF 20.00% 16V		
4908		UD	CAPACITOR		C7022	1-162-970-11	CERAMIC CHIP 0.01UF 10.00% 25V		
4909		UD	CAPACITOR		C7023	1-162-970-11	CERAMIC CHIP 0.01UF 10.00% 25V		
4910		UD	CAPACITOR		C7025	1-162-970-11	CERAMIC CHIP 0.01UF 10.00% 25V		
4911		UD	CAPACITOR		C7026	1-162-917-11	CERAMIC CHIP 15PF 5.00% 50V		
4912		UD	CAPACITOR		C7027	1-162-917-11	CERAMIC CHIP 15PF 5.00% 50V		
4913		UD	CAPACITOR		C7028	1-164-156-11	CERAMIC CHIP 0.1UF 25V		
4914		UD	CAPACITOR		C7030	1-162-970-11	CERAMIC CHIP 0.01UF 10.00% 25V		
4915		UD	CAPACITOR		C7031	1-162-970-11	CERAMIC CHIP 0.01UF 10.00% 25V		
4916		UD	CAPACITOR		C7032	1-162-970-11	CERAMIC CHIP 0.01UF 10.00% 25V		
4917		UD	CAPACITOR		C7033	1-164-156-11	CERAMIC CHIP 0.1UF 25V		
4918		UD	CAPACITOR		C7034	1-162-970-11	CERAMIC CHIP 0.01UF 10.00% 25V		
4919		UD	CAPACITOR		C7035	1-162-970-11	CERAMIC CHIP 0.01UF 10.00% 25V		
4920		UD	CAPACITOR		C7036	1-162-970-11	CERAMIC CHIP 0.01UF 10.00% 25V		
4921		UD	CAPACITOR		C7037	1-162-970-11	CERAMIC CHIP 0.01UF 10.00% 25V		
4922		UD	CAPACITOR		C7038	1-162-970-11	CERAMIC CHIP 0.01UF 10.00% 25V		
4923		UD	CAPACITOR		C7039	1-164-156-11	CERAMIC CHIP 0.1UF 25V		
4924		UD	CAPACITOR		C7040	1-162-970-11	CERAMIC CHIP 0.01UF 10.00% 25V		
4925		UD	CAPACITOR		C7041	1-162-970-11	CERAMIC CHIP 0.01UF 10.00% 25V		
4926		UD	CAPACITOR		C7042	1-162-970-11	CERAMIC CHIP 0.01UF 10.00% 25V		
4927		UD	CAPACITOR		C7043	1-164-156-11	CERAMIC CHIP 0.1UF 25V		
4928		UD	CAPACITOR		C7048	1-162-970-11	CERAMIC CHIP 0.01UF 10.00% 25V		
4929		UD	CAPACITOR		C7050	1-162-921-11	CERAMIC CHIP 33PF 5.00% 50V		
4930		UD	CAPACITOR		C7051	1-162-921-11	CERAMIC CHIP 33PF 5.00% 50V		
4931		UD	CAPACITOR		C7052	1-162-970-11	CERAMIC CHIP 0.01UF 10.00% 25V		
4932		UD	CAPACITOR		C7053	1-162-970-11	CERAMIC CHIP 0.01UF 10.00% 25V		
4933		UD	CAPACITOR		C7054	1-162-970-11	CERAMIC CHIP 0.01UF 10.00% 25V		
4934		UD	CAPACITOR		C7055	1-162-970-11	CERAMIC CHIP 0.01UF 10.00% 25V		
4935		UD	CAPACITOR		C7056	1-164-156-11	CERAMIC CHIP 0.1UF 25V		
4936		UD	CAPACITOR		C7057	1-124-779-00	ELECT CHIP 10UF 20.00% 16V		
4937		UD	CAPACITOR		C7058	1-115-416-11	CERAMIC CHIP 0.001UF 5.00% 25V		
4938		UD	CAPACITOR		C7059	1-162-927-11	CERAMIC CHIP 100PF 5.00% 50V		
4939		UD	CAPACITOR		C7060	1-164-156-11	CERAMIC CHIP 0.1UF 25V		
4940		UD	CAPACITOR		C7061	1-164-156-11	CERAMIC CHIP 0.1UF 25V		
4941		UD	CAPACITOR		C7062	1-124-779-00	ELECT CHIP 10UF 20.00% 16V		
4942		UD	CAPACITOR		C7063	1-164-156-11	CERAMIC CHIP 0.1UF 25V		
4943		UD	CAPACITOR		C7064	1-162-970-11	CERAMIC CHIP 0.01UF 10.00% 25V		
4944		UD	CAPACITOR		C7065	1-164-156-11	CERAMIC CHIP 0.1UF 25V		
4945		UD	CAPACITOR		C7066	1-124-779-00	ELECT CHIP 10UF 20.00% 16V		
4946		UD	CAPACITOR		C7067	1-164-156-11	CERAMIC CHIP 0.1UF 25V		
4947		UD	CAPACITOR		C7068	1-162-970-11	CERAMIC CHIP 0.01UF 10.00% 25V		
4948		UD	CAPACITOR		C7069	1-162-927-11	CERAMIC CHIP 100PF 5.00% 50V		
4949		UD	CAPACITOR		C7070	1-162-923-11	CERAMIC CHIP 47PF 5.00% 50V		
4950		UD	CAPACITOR		C7071	1-162-923-11	CERAMIC CHIP 47PF 5.00% 50V		
4951		UD	CAPACITOR		C7072	1-162-923-11	CERAMIC CHIP 47PF 5.00% 50V		
4952		UD	CAPACITOR		C7073	1-164-156-11	CERAMIC CHIP 0.1UF 25V		
4953		UD	CAPACITOR		C7074	1-164-156-11	CERAMIC CHIP 0.1UF 25V		
4954		UD	CAPACITOR		C7075	1-126-395-11	ELECT CHIP 22UF 20.00% 16V		
4955		UD	CAPACITOR		C7076	1-124-779-00	ELECT CHIP 10UF 20.00% 16V		
4956		UD	CAPACITOR		C7079	1-164-156-11	CERAMIC CHIP 0.1UF 25V		
4957		UD	CAPACITOR		C7080	1-162-970-11	CERAMIC CHIP 0.01UF 10.00% 25V		
4958		UD	CAPACITOR		C7081	1-162-970-11	CERAMIC CHIP 0.01UF 10.00% 25V		
4959		UD	CAPACITOR		C7082	1-124-779-00	ELECT CHIP 10UF 20.00% 16V		
4960		UD	CAPACITOR		C7083	1-124-779-00	ELECT CHIP 10UF 20.00% 16V		
4961		UD	CAPACITOR		C7085	1-162-970-11	CERAMIC CHIP 0.01UF 10.00% 25V		
4962		UD	CAPACITOR		C7086	1-162-970-11	CERAMIC CHIP 0.01UF 10.00% 25V		
4963		UD	CAPACITOR		C7087	1-124-779-00	ELECT CHIP 10UF 20.00% 16V		
4964		UD	CAPACITOR		C7088	1-124-779-00	ELECT CHIP 10UF 20.00% 16V		

No.	#	Board	Type	△/*	Ref. No.	Part No.	Description	Remarks-1	Remarks-2
4965		UD	CONNECTOR		CN7001	1-816-228-11	CONNECTOR, DVI		
4966		UD	CONNECTOR	*	CN7002	1-695-208-21	PIN, CONNECTOR (PC BOARD) 7P		
4967		UD	CONNECTOR	*	CN7003	1-695-890-21	PIN, CONNECTOR (PC BOARD) 12P		
4968		UD	DIODE		D7000	8-719-069-55	DIODE UDZSTE-175.6B		
4969		UD	DIODE		D7001	8-719-069-55	DIODE UDZSTE-175.6B		
4970		UD	DIODE		D7002	8-719-069-55	DIODE UDZSTE-175.6B		
4971		UD	DIODE		D7003	8-719-069-55	DIODE UDZSTE-175.6B		
4972		UD	DIODE		D7004	8-719-069-55	DIODE UDZSTE-175.6B		
4973		UD	DIODE		D7005	8-719-069-55	DIODE UDZSTE-175.6B		
4974		UD	DIODE		D7006	8-719-914-43	DIODE DAN202K		
4975		UD	DIODE		D7007	8-719-977-28	DIODE DTZ10B		
4976		UD	DIODE		D7008	8-719-977-28	DIODE DTZ10B		
4977		UD	FERRITE BEAD		FB7000	1-414-760-21	FERRITE 0UH		
4978		UD	FERRITE BEAD		FB7001	1-414-760-21	FERRITE 0UH		
4979		UD	FERRITE BEAD		FB7002	1-414-760-21	FERRITE 0UH		
4980		UD	FERRITE BEAD		FB7003	1-414-760-21	FERRITE 0UH		
4981		UD	FERRITE BEAD		FB7004	1-414-760-21	FERRITE 0UH		
4982		UD	FERRITE BEAD		FB7005	1-414-760-21	FERRITE 0UH		
4983		UD	FERRITE BEAD		FB7006	1-469-836-21	FERRITE 0UH		
4984		UD	FERRITE BEAD		FB7007	1-469-836-21	FERRITE 0UH		
4985		UD	FERRITE BEAD		FB7008	1-469-836-21	FERRITE 0UH		
4986		UD	FILTER		FL7000	1-234-560-21	FILTER, LOW PASS		
4987		UD	FILTER		FL7001	1-234-559-21	FILTER, LOW PASS		
4988		UD	FILTER		FL7002	1-234-559-21	FILTER, LOW PASS		
4989		UD	FILTER		FL7003	1-400-087-21	FILTER, EMI REMOVAL (SMD)		
4990		UD	IC		IC7000	6-702-170-01	IC PACDN006S		
4991		UD	IC		IC7001	6-702-170-01	IC PACDN006S		
4992		UD	IC		IC7002	6-802-346-01	IC ST72631K4M1/NNLTR		
4993		UD	IC		IC7003	6-702-170-01	IC PACDN006S		
4994		UD	IC		IC7004	6-702-080-01	IC GM7030-H		
4995		UD	IC		IC7005	6-704-001-01	IC BR24L02F-WE2		
4996		UD	IC		IC7006	6-704-004-01	IC BR24L16F-WE2		
4997		UD	IC		IC7007	8-749-015-18	IC PQ07VZ012ZP		
4998		UD	IC		IC7008	8-749-015-18	IC PQ07VZ012ZP		
4999		UD	JACK		J7001	1-794-623-11	JACK, PIN 2P		
5000		UD	COIL		L7000	1-469-856-21	INDUCTOR 10UH		
5001		UD	COIL		L7001	1-412-058-11	INDUCTOR 10UH		
5002		UD	COIL		L7002	1-469-856-21	INDUCTOR 10UH		
5003		UD	RESISTOR		R7001	1-216-813-11	METAL CHIP 220 5% 1/10W		
5004		UD	RESISTOR		R7002	1-216-813-11	METAL CHIP 220 5% 1/10W		
5005		UD	RESISTOR		R7006	1-216-803-11	METAL CHIP 33 5% 1/10W		
5006		UD	RESISTOR		R7009	1-216-833-11	METAL CHIP 10K 5% 1/10W		
5007		UD	RESISTOR		R7010	1-216-833-11	METAL CHIP 10K 5% 1/10W		
5008		UD	RESISTOR		R7014	1-216-833-11	METAL CHIP 10K 5% 1/10W		
5009		UD	RESISTOR		R7015	1-216-833-11	METAL CHIP 10K 5% 1/10W		
5010		UD	RESISTOR		R7016	1-216-833-11	METAL CHIP 10K 5% 1/10W		
5011		UD	RESISTOR		R7017	1-216-803-11	METAL CHIP 33 5% 1/10W		
5012		UD	RESISTOR		R7019	1-216-833-11	METAL CHIP 10K 5% 1/10W		
5013		UD	RESISTOR		R7020	1-216-864-11	SHORT CHIP 0		
5014		UD	RESISTOR		R7022	1-216-833-11	METAL CHIP 10K 5% 1/10W		
5015		UD	RESISTOR		R7023	1-216-833-11	METAL CHIP 10K 5% 1/10W		
5016		UD	RESISTOR		R7024	1-216-833-11	METAL CHIP 10K 5% 1/10W		
5017		UD	RESISTOR		R7025	1-216-833-11	METAL CHIP 10K 5% 1/10W		
5018		UD	RESISTOR		R7026	1-216-864-11	SHORT CHIP 0		
5019		UD	RESISTOR		R7027	1-216-864-11	SHORT CHIP 0		
5020		UD	RESISTOR		R7028	1-216-864-11	SHORT CHIP 0		
5021		UD	RESISTOR		R7029	1-216-833-11	METAL CHIP 10K 5% 1/10W		
5022		UD	RESISTOR		R7030	1-164-156-11	CERAMIC CHIP 0.1UF 25V		
5023		UD	RESISTOR		R7031	1-218-692-11	METAL CHIP 1K 0.5% 1/10W		
5024		UD	RESISTOR		R7032	1-414-760-21	FERRITE 0UH		
5025		UD	RESISTOR		R7033	1-414-760-21	FERRITE 0UH		
5026		UD	RESISTOR		R7034	1-216-833-11	METAL CHIP 10K 5% 1/10W		
5027		UD	RESISTOR		R7035	1-216-833-11	METAL CHIP 10K 5% 1/10W		
5028		UD	RESISTOR		R7036	1-216-805-11	METAL CHIP 47 5% 1/10W		
5029		UD	RESISTOR		R7037	1-216-805-11	METAL CHIP 47 5% 1/10W		
5030		UD	RESISTOR		R7038	1-216-833-11	METAL CHIP 10K 5% 1/10W		
5031		UD	RESISTOR		R7039	1-218-704-11	METAL CHIP 3.3K 0.5% 1/10W		
5032		UD	RESISTOR		R7040	1-216-806-11	METAL CHIP 56 5% 1/10W		
5033		UD	RESISTOR		R7041	1-216-806-11	METAL CHIP 56 5% 1/10W		
5034		UD	RESISTOR		R7042	1-216-829-11	METAL CHIP 4.7K 5% 1/10W		
5035		UD	RESISTOR		R7043	1-218-694-11	METAL CHIP 1.2K 0.5% 1/10W		
5036		UD	RESISTOR		R7044	1-216-833-11	METAL CHIP 10K 5% 1/10W		
5037		UD	RESISTOR		R7046	1-216-829-11	METAL CHIP 4.7K 5% 1/10W		

No.	#	Board	Type	△/*	Ref. No.	Part No.	Description	Remarks-1	Remarks-2
5038		UD	RESISTOR		R7048	1-216-833-11	METAL CHIP 10K 5% 1/10W		
5039		UD	RESISTOR		R7050	1-216-837-11	METAL CHIP 22K 5% 1/10W		
5040		UD	RESISTOR		R7052	1-216-805-11	METAL CHIP 47 5% 1/10W		
5041		UD	RESISTOR		R7053	1-216-805-11	METAL CHIP 47 5% 1/10W		
5042		UD	RESISTOR		R7055	1-216-833-11	METAL CHIP 10K 5% 1/10W		
5043		UD	RESISTOR		R7056	1-216-805-11	METAL CHIP 47 5% 1/10W		
5044		UD	RESISTOR		R7057	1-216-805-11	METAL CHIP 47 5% 1/10W		
5045		UD	RESISTOR		R7058	1-216-805-11	METAL CHIP 47 5% 1/10W		
5046		UD	RESISTOR		R7059	1-216-864-11	SHORT CHIP 0		
5047		UD	RESISTOR		R7061	1-216-864-11	SHORT CHIP 0		
5048		UD	RESISTOR		R7064	1-216-833-11	METAL CHIP 10K 5% 1/10W		
5049		UD	RESISTOR		R7065	1-216-864-11	SHORT CHIP 0		
5050		UD	RESISTOR		R7066	1-216-833-11	METAL CHIP 10K 5% 1/10W		
5051		UD	RESISTOR		R7067	1-216-833-11	METAL CHIP 10K 5% 1/10W		
5052		UD	RESISTOR		R7068	1-216-864-11	SHORT CHIP 0		
5053		UD	RESISTOR		R7070	1-216-833-11	METAL CHIP 10K 5% 1/10W		
5054		UD	RESISTOR		R7071	1-414-760-21	FERRITE 0UH		
5055		UD	RESISTOR		R7072	1-218-700-11	METAL CHIP 2.2K 0.5% 1/10W		
5056		UD	RESISTOR		R7073	1-218-700-11	METAL CHIP 2.2K 0.5% 1/10W		
5057		UD	RESISTOR		R7074	1-218-700-11	METAL CHIP 2.2K 0.5% 1/10W		
5058		UD	RESISTOR		R7075	1-218-676-11	METAL CHIP 220 0.5% 1/10W		
5059		UD	RESISTOR		R7076	1-218-676-11	METAL CHIP 220 0.5% 1/10W		
5060		UD	RESISTOR		R7077	1-218-676-11	METAL CHIP 220 0.5% 1/10W		
5061		UD	RESISTOR		R7079	1-216-864-11	SHORT CHIP 0		
5062		UD	RESISTOR		R7081	1-218-668-11	METAL CHIP 100 0.5% 1/10W		
5063		UD	RESISTOR		R7083	1-218-668-11	METAL CHIP 100 0.5% 1/10W		
5064		UD	RESISTOR		R7084	1-216-821-11	METAL CHIP 1K 5% 1/10W		
5065		UD	RESISTOR		R7085	1-216-821-11	METAL CHIP 1K 5% 1/10W		
5066		UD	RESISTOR		R7086	1-218-676-11	METAL CHIP 220 0.5% 1/10W		
5067		UD	RESISTOR		R7087	1-218-680-11	METAL CHIP 330 0.5% 1/10W		
5068		UD	RESISTOR		R7088	1-218-680-11	METAL CHIP 330 0.5% 1/10W		
5069		UD	RESISTOR		R7089	1-216-821-11	METAL CHIP 1K 5% 1/10W		
5070		UD	RESISTOR		R7090	1-218-852-11	METAL CHIP 1.6K 0.5% 1/10W		
5071		UD	RESISTOR		R7091	1-218-700-11	METAL CHIP 2.2K 0.5% 1/10W		
5072		UD	RESISTOR		R7092	1-218-704-11	METAL CHIP 3.3K 0.5% 1/10W		
5073		UD	RESISTOR		R7093	1-218-704-11	METAL CHIP 3.3K 0.5% 1/10W		
5074		UD	RESISTOR		R7094	1-216-849-11	METAL CHIP 220K 5% 1/10W		
5075		UD	RESISTOR		R7095	1-216-821-11	METAL CHIP 1K 5% 1/10W		
5076		UD	RESISTOR		R7096	1-216-821-11	METAL CHIP 1K 5% 1/10W		
5077		UD	RESISTOR		R7097	1-216-849-11	METAL CHIP 220K 5% 1/10W		
5078		UD	CRYSTAL		X7000	1-795-568-21	VIBRATOR, CRYSTAL		
5079		UD	CRYSTAL		X7001	1-795-567-21	VIBRATOR, CRYSTAL		
5080		M	CAPACITOR		C4000	1-164-156-11	CERAMIC CHIP 0.1UF 25V		
5081		M	CAPACITOR		C4001	1-164-156-11	CERAMIC CHIP 0.1UF 25V		
5082		M	CAPACITOR		C4003	1-126-204-11	ELECT CHIP 47UF 20.00% 16V		
5083		M	CAPACITOR		C4004	1-126-204-11	ELECT CHIP 47UF 20.00% 16V		
5084		M	CAPACITOR		C4005	1-162-964-11	CERAMIC CHIP 0.001UF 10.00% 50V		
5085		M	CAPACITOR		C4006	1-107-826-11	CERAMIC CHIP 0.1UF 10.00% 16V		
5086		M	CAPACITOR		C4007	1-107-726-91	CERAMIC CHIP 0.01UF 10.00% 16V		
5087		M	CAPACITOR		C4008	1-107-726-91	CERAMIC CHIP 0.01UF 10.00% 16V		
5088		M	CAPACITOR		C4009	1-107-826-11	CERAMIC CHIP 0.1UF 10.00% 16V		
5089		M	CAPACITOR		C4010	1-162-964-11	CERAMIC CHIP 0.001UF 10.00% 50V		
5090		M	CAPACITOR		C4011	1-117-681-11	ELECT CHIP 100UF 20.00% 16V		
5091		M	CAPACITOR		C4012	1-128-416-11	ELECT CHIP 100UF 20.00% 16V		
5092		M	CAPACITOR		C4013	1-107-726-91	CERAMIC CHIP 0.01UF 10.00% 16V		
5093		M	CAPACITOR		C4014	1-107-726-91	CERAMIC CHIP 0.01UF 10.00% 16V		
5094		M	CAPACITOR		C4015	1-107-826-11	CERAMIC CHIP 0.1UF 10.00% 16V		
5095		M	CAPACITOR		C4016	1-164-156-11	CERAMIC CHIP 0.1UF 25V		
5096		M	CAPACITOR		C4017	1-107-726-91	CERAMIC CHIP 0.01UF 10.00% 16V		
5097		M	CAPACITOR		C4018	1-107-726-91	CERAMIC CHIP 0.01UF 10.00% 16V		
5098		M	CAPACITOR		C4019	1-126-204-11	ELECT CHIP 47UF 20.00% 16V		
5099		M	CAPACITOR		C4020	1-126-204-11	ELECT CHIP 47UF 20.00% 16V		
5100		M	CAPACITOR		C4021	1-107-826-11	CERAMIC CHIP 0.1UF 10.00% 16V		
5101		M	CAPACITOR		C4022	1-107-726-91	CERAMIC CHIP 0.01UF 10.00% 16V		
5102		M	CAPACITOR		C4023	1-162-964-11	CERAMIC CHIP 0.001UF 10.00% 50V		
5103		M	CAPACITOR		C4024	1-126-204-11	ELECT CHIP 47UF 20.00% 16V		
5104		M	CAPACITOR		C4025	1-162-964-11	CERAMIC CHIP 0.001UF 10.00% 50V		
5105		M	CAPACITOR		C4026	1-162-964-11	CERAMIC CHIP 0.001UF 10.00% 50V		
5106		M	CAPACITOR		C4027	1-107-826-11	CERAMIC CHIP 0.1UF 10.00% 16V		
5107		M	CAPACITOR		C4028	1-107-826-11	CERAMIC CHIP 0.1UF 10.00% 16V		
5108		M	CAPACITOR		C4029	1-162-967-11	CERAMIC CHIP 0.0033UF 10.00% 50V		
5109		M	CAPACITOR		C4031	1-107-726-91	CERAMIC CHIP 0.01UF 10.00% 16V		
5110		M	CAPACITOR		C4032	1-107-726-91	CERAMIC CHIP 0.01UF 10.00% 16V		

No.	#	Board	Type	△/*	Ref. No.	Part No.	Description	Remarks-1	Remarks-2
5111		M	CAPACITOR		C4033	1-107-726-91	CERAMIC CHIP 0.01UF 10.00% 16V		
5112		M	CAPACITOR		C4034	1-107-726-91	CERAMIC CHIP 0.01UF 10.00% 16V		
5113		M	CAPACITOR		C4035	1-107-726-91	CERAMIC CHIP 0.01UF 10.00% 16V		
5114		M	CAPACITOR		C4036	1-107-726-91	CERAMIC CHIP 0.01UF 10.00% 16V		
5115		M	CAPACITOR		C4037	1-107-726-91	CERAMIC CHIP 0.01UF 10.00% 16V		
5116		M	CAPACITOR		C4038	1-164-360-11	CERAMIC CHIP 0.1UF 16V		
5117		M	CAPACITOR		C4039	1-107-726-91	CERAMIC CHIP 0.01UF 10.00% 16V		
5118		M	CAPACITOR		C4040	1-107-726-91	CERAMIC CHIP 0.01UF 10.00% 16V		
5119		M	CAPACITOR		C4041	1-107-726-91	CERAMIC CHIP 0.01UF 10.00% 16V		
5120		M	CAPACITOR		C4042	1-107-726-91	CERAMIC CHIP 0.01UF 10.00% 16V		
5121		M	CAPACITOR		C4043	1-107-726-91	CERAMIC CHIP 0.01UF 10.00% 16V		
5122		M	CAPACITOR		C4044	1-107-726-91	CERAMIC CHIP 0.01UF 10.00% 16V		
5123		M	CAPACITOR		C4045	1-107-726-91	CERAMIC CHIP 0.01UF 10.00% 16V		
5124		M	CAPACITOR		C4046	1-107-726-91	CERAMIC CHIP 0.01UF 10.00% 16V		
5125		M	CAPACITOR		C4047	1-107-726-91	CERAMIC CHIP 0.01UF 10.00% 16V		
5126		M	CAPACITOR		C4048	1-107-726-91	CERAMIC CHIP 0.01UF 10.00% 16V		
5127		M	CAPACITOR		C4049	1-107-726-91	CERAMIC CHIP 0.01UF 10.00% 16V		
5128		M	CAPACITOR		C4050	1-107-726-91	CERAMIC CHIP 0.01UF 10.00% 16V		
5129		M	CAPACITOR		C4051	1-107-726-91	CERAMIC CHIP 0.01UF 10.00% 16V		
5130		M	CAPACITOR		C4052	1-107-726-91	CERAMIC CHIP 0.01UF 10.00% 16V		
5131		M	CAPACITOR		C4053	1-107-726-91	CERAMIC CHIP 0.01UF 10.00% 16V		
5132		M	CAPACITOR		C4054	1-107-726-91	CERAMIC CHIP 0.01UF 10.00% 16V		
5133		M	CAPACITOR		C4055	1-107-726-91	CERAMIC CHIP 0.01UF 10.00% 16V		
5134		M	CAPACITOR		C4056	1-107-726-91	CERAMIC CHIP 0.01UF 10.00% 16V		
5135		M	CAPACITOR		C4057	1-124-779-00	ELECT CHIP 10UF 20.00% 16V		
5136		M	CAPACITOR		C4058	1-107-726-91	CERAMIC CHIP 0.01UF 10.00% 16V		
5137		M	CAPACITOR		C4059	1-107-726-91	CERAMIC CHIP 0.01UF 10.00% 16V		
5138		M	CAPACITOR		C4060	1-107-726-91	CERAMIC CHIP 0.01UF 10.00% 16V		
5139		M	CAPACITOR		C4061	1-124-779-00	ELECT CHIP 10UF 20.00% 16V		
5140		M	CAPACITOR		C4062	1-117-681-11	ELECT CHIP 100UF 20.00% 16V		
5141		M	CAPACITOR		C4063	1-107-726-91	CERAMIC CHIP 0.01UF 10.00% 16V		
5142		M	CAPACITOR		C4064	1-107-726-91	CERAMIC CHIP 0.01UF 10.00% 16V		
5143		M	CAPACITOR		C4065	1-126-204-11	ELECT CHIP 47UF 20.00% 16V		
5144		M	CAPACITOR		C4100	1-107-726-91	CERAMIC CHIP 0.01UF 10.00% 16V		
5145		M	CAPACITOR		C4101	1-107-726-91	CERAMIC CHIP 0.01UF 10.00% 16V		
5146		M	CAPACITOR		C4102	1-107-726-91	CERAMIC CHIP 0.01UF 10.00% 16V		
5147		M	CAPACITOR		C4103	1-107-826-11	CERAMIC CHIP 0.1UF 10.00% 16V		
5148		M	CAPACITOR		C4104	1-126-205-11	ELECT CHIP 47UF 20.00% 6.3V		
5149		M	CAPACITOR		C4105	1-107-726-91	CERAMIC CHIP 0.01UF 10.00% 16V		
5150		M	CAPACITOR		C4106	1-107-826-11	CERAMIC CHIP 0.1UF 10.00% 16V		
5151		M	CAPACITOR		C4108	1-126-205-11	ELECT CHIP 47UF 20.00% 6.3V		
5152		M	CAPACITOR		C4109	1-107-726-91	CERAMIC CHIP 0.01UF 10.00% 16V		
5153		M	CAPACITOR		C4110	1-107-826-11	CERAMIC CHIP 0.1UF 10.00% 16V		
5154		M	CAPACITOR		C4111	1-126-205-11	ELECT CHIP 47UF 20.00% 6.3V		
5155		M	CAPACITOR		C4200	1-117-681-11	ELECT CHIP 100UF 20.00% 16V		
5156		M	CAPACITOR		C4201	1-107-826-11	CERAMIC CHIP 0.1UF 10.00% 16V		
5157		M	CAPACITOR		C4202	1-107-826-11	CERAMIC CHIP 0.1UF 10.00% 16V		
5158		M	CAPACITOR		C4203	1-126-206-11	ELECT CHIP 100UF 20.00% 6.3V		
5159		M	CAPACITOR		C4204	1-124-779-00	ELECT CHIP 10UF 20.00% 16V		
5160		M	CAPACITOR		C4205	1-124-779-00	ELECT CHIP 10UF 20.00% 16V		
5161		M	CAPACITOR		C4206	1-117-681-11	ELECT CHIP 100UF 20.00% 16V		
5162		M	CAPACITOR		C4207	1-117-681-11	ELECT CHIP 100UF 20.00% 16V		
5163		M	CAPACITOR		C4208	1-162-927-11	CERAMIC CHIP 100PF 5.00% 50V		
5164		M	CAPACITOR		C4209	1-162-927-11	CERAMIC CHIP 100PF 5.00% 50V		
5165		M	CAPACITOR		C4210	1-162-927-11	CERAMIC CHIP 100PF 5.00% 50V		
5166		M	CAPACITOR		C4211	1-162-927-11	CERAMIC CHIP 100PF 5.00% 50V		
5167		M	CAPACITOR		C4212	1-124-779-00	ELECT CHIP 10UF 20.00% 16V		
5168		M	CAPACITOR		C4213	1-162-927-11	CERAMIC CHIP 100PF 5.00% 50V		
5169		M	CAPACITOR		C4214	1-124-779-00	ELECT CHIP 10UF 20.00% 16V		
5170		M	CAPACITOR		C4215	1-124-779-00	ELECT CHIP 10UF 20.00% 16V		
5171		M	CAPACITOR		C4216	1-162-927-11	CERAMIC CHIP 100PF 5.00% 50V		
5172		M	CAPACITOR		C4217	1-124-779-00	ELECT CHIP 10UF 20.00% 16V		
5173		M	CAPACITOR		C4218	1-124-779-00	ELECT CHIP 10UF 20.00% 16V		
5174		M	CAPACITOR		C4219	1-124-779-00	ELECT CHIP 10UF 20.00% 16V		
5175		M	CAPACITOR		C4220	1-126-205-11	ELECT CHIP 47UF 20.00% 6.3V		
5176		M	CAPACITOR		C4221	1-107-726-91	CERAMIC CHIP 0.01UF 10.00% 16V		
5177		M	CAPACITOR		C4222	1-107-826-11	CERAMIC CHIP 0.1UF 10.00% 16V		
5178		M	CAPACITOR		C4223	1-124-779-00	ELECT CHIP 10UF 20.00% 16V		
5179		M	CAPACITOR		C4224	1-107-726-91	CERAMIC CHIP 0.01UF 10.00% 16V		
5180		M	CAPACITOR		C4225	1-126-205-11	ELECT CHIP 47UF 20.00% 6.3V		
5181		M	CAPACITOR		C4226	1-107-726-91	CERAMIC CHIP 0.01UF 10.00% 16V		
5182		M	CAPACITOR		C4227	1-107-726-91	CERAMIC CHIP 0.01UF 10.00% 16V		
5183		M	CAPACITOR		C4228	1-162-921-11	CERAMIC CHIP 33PF 5.00% 50V		

No.	#	Board	Type	Δ/V^*	Ref. No.	Part No.	Description	Remarks-1	Remarks-2
5184		M	CAPACITOR		C4229	1-162-920-11	CERAMIC CHIP 27PF 5.00% 50V		
5185		M	CAPACITOR		C4230	1-117-681-11	ELECT CHIP 100UF 20.00% 16V		
5186		M	CAPACITOR		C4231	1-107-726-91	CERAMIC CHIP 0.01UF 10.00% 16V		
5187		M	CAPACITOR		C4232	1-107-726-91	CERAMIC CHIP 0.01UF 10.00% 16V		
5188		M	CAPACITOR		C4234	1-125-891-11	CERAMIC CHIP 0.47UF 10.00% 10V		
5189		M	CAPACITOR		C4235	1-107-826-11	CERAMIC CHIP 0.1UF 10.00% 16V		
5190		M	CAPACITOR		C4236	1-107-826-11	CERAMIC CHIP 0.1UF 10.00% 16V		
5191		M	CAPACITOR		C4237	1-126-205-11	ELECT CHIP 47UF 20.00% 6.3V		
5192		M	CAPACITOR		C4238	1-126-205-11	ELECT CHIP 47UF 20.00% 6.3V		
5193		M	CAPACITOR		C4239	1-164-392-11	CERAMIC CHIP 390PF 5.00% 50V		
5194		M	CAPACITOR		C4302	1-162-964-11	CERAMIC CHIP 0.001UF 10.00% 50V		
5195		M	CAPACITOR		C4304	1-107-826-11	CERAMIC CHIP 0.1UF 10.00% 16V		
5196		M	CAPACITOR		C4305	1-107-826-11	CERAMIC CHIP 0.1UF 10.00% 16V		
5197		M	CAPACITOR		C4306	1-126-205-11	ELECT CHIP 47UF 20.00% 6.3V		
5198		M	CAPACITOR		C4307	1-162-970-11	CERAMIC CHIP 0.01UF 10.00% 25V		
5199		M	CAPACITOR		C4308	1-107-826-11	CERAMIC CHIP 0.1UF 10.00% 16V		
5200		M	CAPACITOR		C4309	1-107-826-11	CERAMIC CHIP 0.1UF 10.00% 16V		
5201		M	CAPACITOR		C4312	1-107-826-11	CERAMIC CHIP 0.1UF 10.00% 16V		
5202		M	CAPACITOR		C4313	1-162-964-11	CERAMIC CHIP 0.001UF 10.00% 50V		
5203		M	CAPACITOR		C4314	1-162-964-11	CERAMIC CHIP 0.001UF 10.00% 50V		
5204		M	CAPACITOR		C4315	1-107-826-11	CERAMIC CHIP 0.1UF 10.00% 16V		
5205		M	CAPACITOR		C4316	1-107-826-11	CERAMIC CHIP 0.1UF 10.00% 16V		
5206		M	CAPACITOR		C4400	1-107-826-11	CERAMIC CHIP 0.1UF 10.00% 16V		
5207		M	CAPACITOR		C4401	1-107-826-11	CERAMIC CHIP 0.1UF 10.00% 16V		
5208		M	CAPACITOR		C4402	1-124-779-00	ELECT CHIP 10UF 20.00% 16V		
5209		M	CAPACITOR		C4403	1-107-826-11	CERAMIC CHIP 0.1UF 10.00% 16V		
5210		M	CAPACITOR		C4404	1-107-826-11	CERAMIC CHIP 0.1UF 10.00% 16V		
5211		M	CAPACITOR		C4406	1-107-826-11	CERAMIC CHIP 0.1UF 10.00% 16V		
5212		M	CAPACITOR		C4407	1-104-607-11	ELECT CHIP 47UF 20.00% 16V		
5213		M	CAPACITOR		C4409	1-107-826-11	CERAMIC CHIP 0.1UF 10.00% 16V		
5214		M	CAPACITOR		C4410	1-107-826-11	CERAMIC CHIP 0.1UF 10.00% 16V		
5215		M	CAPACITOR		C4411	1-107-826-11	CERAMIC CHIP 0.1UF 10.00% 16V		
5216		M	CAPACITOR		C4412	1-162-974-11	CERAMIC CHIP 0.01UF 50V		
5217		M	CAPACITOR		C4414	1-126-204-11	ELECT CHIP 47UF 20.00% 16V		
5218		M	CAPACITOR		C4415	1-164-156-11	CERAMIC CHIP 0.1UF 25V		
5219		M	CAPACITOR		C4416	1-126-395-11	ELECT CHIP 22UF 20.00% 16V		
5220		M	CAPACITOR		C4417	1-162-974-11	CERAMIC CHIP 0.01UF 50V		
5221		M	CAPACITOR		C4418	1-124-779-00	ELECT CHIP 10UF 20.00% 16V		
5222		M	CAPACITOR		C4419	1-164-156-11	CERAMIC CHIP 0.1UF 25V		
5223		M	CAPACITOR		C4420	1-126-395-11	ELECT CHIP 22UF 20.00% 16V		
5224		M	CAPACITOR		C4421	1-162-970-11	CERAMIC CHIP 0.01UF 10.00% 25V		
5225		M	CAPACITOR		C4422	1-162-967-11	CERAMIC CHIP 0.0033UF 10.00% 50V		
5226		M	CAPACITOR		C4423	1-162-974-11	CERAMIC CHIP 0.01UF 50V		
5227		M	CAPACITOR		C4426	1-162-913-11	CERAMIC CHIP 8PF 0.50PF 50V		
5228		M	CAPACITOR		C4427	1-162-913-11	CERAMIC CHIP 8PF 0.50PF 50V		
5229		M	CAPACITOR		C4428	1-115-416-11	CERAMIC CHIP 0.001UF 5.00% 25V		
5230		M	CAPACITOR		C4430	1-162-970-11	CERAMIC CHIP 0.01UF 10.00% 25V		
5231		M	CAPACITOR		C4432	1-162-964-11	CERAMIC CHIP 0.001UF 10.00% 50V		
5232		M	CAPACITOR		C4433	1-162-974-11	CERAMIC CHIP 0.01UF 50V		
5233		M	CAPACITOR		C4434	1-115-156-11	CERAMIC CHIP 1UF 10V		
5234		M	CAPACITOR		C4435	1-107-726-91	CERAMIC CHIP 0.01UF 10.00% 16V		
5235		M	CAPACITOR		C4442	1-125-837-91	CERAMIC CHIP 1UF 10% 6.3V		
5236		M	CAPACITOR		C4445	1-125-837-91	CERAMIC CHIP 1UF 10% 6.3V		
5237		M	CAPACITOR		C4501	1-107-826-11	CERAMIC CHIP 0.1UF 10.00% 16V		
5238		M	CAPACITOR		C4502	1-117-681-11	ELECT CHIP 100UF 20.00% 16V		
5239		M	CAPACITOR		C4601	1-164-156-11	CERAMIC CHIP 0.1UF 25V		
5240		M	CAPACITOR		C4602	1-162-964-11	CERAMIC CHIP 0.001UF 10.00% 50V		
5241		M	CONNECTOR		CN4100	1-817-120-11	CONNECTOR, DVI-D		
5242		M	CONNECTOR		CN4300	1-817-112-11	HALF PITCH CONNECTOR (26PIN)		
5243		M	CONNECTOR		CN4301	1-784-210-21	CONNECTOR 7P		
5244		M	CONNECTOR	*	CN4401	1-695-210-21	PIN, CONNECTOR (PC BOARD) 15P		
5245		M	CONNECTOR		CN4403	1-766-382-21	PIN, CONNECTOR (1.5MM)(SMD)10P		
5246		M	CONNECTOR		CN4406	1-816-466-21	PIN, CONNECTOR 10P		
5247		M	CONNECTOR		CN4501	1-580-057-11	PIN, CONNECTOR (SMD) 4P		
5248		M	DIODE		D4000	8-719-050-37	DIODE M1MA152WA-T1		
5249		M	DIODE		D4001	8-719-050-38	DIODE M1MA152WK-T1		
5250		M	DIODE		D4100	8-719-024-77	DIODE HN1D03FU-TE85L		
5251		M	DIODE		D4101	8-719-024-77	DIODE HN1D03FU-TE85L		
5252		M	DIODE		D4102	8-719-024-77	DIODE HN1D03FU-TE85L		
5253		M	DIODE		D4103	8-719-024-77	DIODE HN1D03FU-TE85L		
5254		M	DIODE		D4104	8-719-024-77	DIODE HN1D03FU-TE85L		
5255		M	DIODE		D4105	8-719-941-86	DIODE DAN202U		
5256		M	DIODE		D4106	8-719-069-55	DIODE UDJSTE-175.6B		

No.	#	Board	Type	△/*	Ref. No.	Part No.	Description	Remarks-1	Remarks-2
5257		M	DIODE		D4107	8-719-069-55	DIODE UDZSTE-175.6B		
5258		M	DIODE		D4200	8-719-404-50	DIODE MA111-TX		
5259		M	DIODE		D4300	8-719-069-55	DIODE UDZSTE-175.6B		
5260		M	DIODE		D4301	8-719-069-55	DIODE UDZSTE-175.6B		
5261		M	DIODE		D4304	8-719-069-55	DIODE UDZSTE-175.6B		
5262		M	DIODE		D4306	8-719-024-77	DIODE HN1D03FU-TE85L		
5263		M	DIODE		D4307	8-719-024-77	DIODE HN1D03FU-TE85L		
5264		M	DIODE		D4308	8-719-024-77	DIODE HN1D03FU-TE85L		
5265		M	DIODE		D4309	8-719-024-77	DIODE HN1D03FU-TE85L		
5266		M	DIODE		D4312	8-719-404-50	DIODE MA111-TX		
5267		M	DIODE		D4313	8-719-941-86	DIODE DAN202U		
5268		M	DIODE		D4314	8-719-404-50	DIODE MA111-TX		
5269		M	DIODE		D4316	8-719-069-55	DIODE UDZSTE-175.6B		
5270		M	DIODE		D4319	8-719-069-55	DIODE UDZSTE-175.6B		
5271		M	DIODE		D4320	8-719-069-55	DIODE UDZSTE-175.6B		
5272		M	DIODE		D4400	8-719-914-43	DIODE DAN202K		
5273		M	DIODE		D4401	8-719-914-44	DIODE DAP202K		
5274		M	DIODE		D4404	8-719-914-43	DIODE DAN202K		
5275		M	DIODE		D4405	8-719-914-44	DIODE DAP202K		
5276		M	DIODE		D4406	8-719-404-50	DIODE MA111-TX		
5277		M	DIODE		D4407	8-719-914-43	DIODE DAN202K		
5278		M	DIODE		D4410	8-719-404-50	DIODE MA111-TX		
5279		M	DIODE		D4411	8-719-404-50	DIODE MA111-TX		
5280		M	DIODE		D4412	8-719-404-50	DIODE MA111-TX		
5281		M	DIODE		D4413	8-719-914-43	DIODE DAN202K		
5282		M	DIODE		D4502	8-719-083-57	DIODE UDZSTE-173.6B		
5283		M	DIODE		D4503	8-719-083-57	DIODE UDZSTE-173.6B		
5284		M	FERRITE BEAD		FB4000	1-414-229-11	FERRITE 0UH		
5285		M	FERRITE BEAD		FB4100	1-414-445-11	FERRITE 0UH		
5286		M	FERRITE BEAD		FB4101	1-414-445-11	FERRITE 0UH		
5287		M	FERRITE BEAD		FB4102	1-414-445-11	FERRITE 0UH		
5288		M	FERRITE BEAD		FB4103	1-414-229-11	FERRITE 0UH		
5289		M	FERRITE BEAD		FB4104	1-414-229-11	FERRITE 0UH		
5290		M	FERRITE BEAD		FB4105	1-414-229-11	FERRITE 0UH		
5291		M	FERRITE BEAD		FB4106	1-414-229-11	FERRITE 0UH		
5292		M	FERRITE BEAD		FB4107	1-414-229-11	FERRITE 0UH		
5293		M	FERRITE BEAD		FB4108	1-414-229-11	FERRITE 0UH		
5294		M	FERRITE BEAD		FB4200	1-414-598-11	FERRITE 0UH		
5295		M	FERRITE BEAD		FB4201	1-414-598-11	FERRITE 0UH		
5296		M	FERRITE BEAD		FB4202	1-414-598-11	FERRITE 0UH		
5297		M	FERRITE BEAD		FB4203	1-414-598-11	FERRITE 0UH		
5298		M	FERRITE BEAD		FB4204	1-414-598-11	FERRITE 0UH		
5299		M	FERRITE BEAD		FB4205	1-414-598-11	FERRITE 0UH		
5300		M	FERRITE BEAD		FB4206	1-414-598-11	FERRITE 0UH		
5301		M	FERRITE BEAD		FB4207	1-414-598-11	FERRITE 0UH		
5302		M	FERRITE BEAD		FB4208	1-216-864-11	SHORT CHIP 0		
5303		M	FERRITE BEAD		FB4209	1-216-864-11	SHORT CHIP 0		
5304		M	FERRITE BEAD		FB4210	1-216-864-11	SHORT CHIP 0		
5305		M	FERRITE BEAD		FB4211	1-414-229-11	FERRITE 0UH		
5306		M	FERRITE BEAD		FB4212	1-414-229-11	FERRITE 0UH		
5307		M	FERRITE BEAD		FB4301	1-414-229-11	FERRITE 0UH		
5308		M	FERRITE BEAD		FB4302	1-414-229-11	FERRITE 0UH		
5309		M	FERRITE BEAD		FB4303	1-414-229-11	FERRITE 0UH		
5310		M	FERRITE BEAD		FB4401	1-414-228-11	FERRITE 0UH		
5311		M	FERRITE BEAD		FB4402	1-414-228-11	FERRITE 0UH		
5312		M	FERRITE BEAD		FB4403	1-414-228-11	FERRITE 0UH		
5313		M	FERRITE BEAD		FB4404	1-414-228-11	FERRITE 0UH		
5314		M	FERRITE BEAD		FB4405	1-414-228-11	FERRITE 0UH		
5315		M	FERRITE BEAD		FB4406	1-414-228-11	FERRITE 0UH		
5316		M	FERRITE BEAD		FB4407	1-414-228-11	FERRITE 0UH		
5317		M	FERRITE BEAD		FB4408	1-414-228-11	FERRITE 0UH		
5318		M	FERRITE BEAD		FB4410	1-414-228-11	FERRITE 0UH		
5319		M	FERRITE BEAD		FB4411	1-414-228-11	FERRITE 0UH		
5320		M	FERRITE BEAD		FB4412	1-414-234-22	FERRITE 0UH		
5321		M	FERRITE BEAD		FB4413	1-414-228-11	FERRITE 0UH		
5322		M	FERRITE BEAD		FB4414	1-414-228-11	FERRITE 0UH		
5323		M	FERRITE BEAD		FB4418	1-414-228-11	FERRITE 0UH		
5324		M	FERRITE BEAD		FB4419	1-414-228-11	FERRITE 0UH		
5325		M	FERRITE BEAD		FB4420	1-414-233-22	FERRITE 0UH		
5326		M	FERRITE BEAD		FB4421	1-414-228-11	FERRITE 0UH		
5327		M	FERRITE BEAD		FB4422	1-414-228-11	FERRITE 0UH		
5328		M	FERRITE BEAD		FB4423	1-414-228-11	FERRITE 0UH		
5329		M	FERRITE BEAD		FB4424	1-414-228-11	FERRITE 0UH		

No.	#	Board	Type	△/*	Ref. No.	Part No.	Description	Remarks-1	Remarks-2
5330		M	FERRITE BEAD		FB4425	1-414-228-11	FERRITE 0UH		
5331		M	FERRITE BEAD		FB4426	1-414-228-11	FERRITE 0UH		
5332		M	FERRITE BEAD		FB4427	1-414-228-11	FERRITE 0UH		
5333		M	FERRITE BEAD		FB4428	1-414-228-11	FERRITE 0UH		
5334		M	FERRITE BEAD		FB4429	1-414-228-11	FERRITE 0UH		
5335		M	FERRITE BEAD		FB4430	1-414-228-11	FERRITE 0UH		
5336		M	FERRITE BEAD		FB4431	1-414-228-11	FERRITE 0UH		
5337		M	FERRITE BEAD		FB4432	1-414-228-11	FERRITE 0UH		
5338		M	FERRITE BEAD		FB4433	1-414-228-11	FERRITE 0UH		
5339		M	FERRITE BEAD		FB4434	1-414-228-11	FERRITE 0UH		
5340		M	FERRITE BEAD		FB4435	1-414-228-11	FERRITE 0UH		
5341		M	FERRITE BEAD		FB4436	1-414-228-11	FERRITE 0UH		
5342		M	FERRITE BEAD		FB4437	1-414-228-11	FERRITE 0UH		
5343		M	FERRITE BEAD		FB4438	1-414-228-11	FERRITE 0UH		
5344		M	FERRITE BEAD		FB4439	1-414-228-11	FERRITE 0UH		
5345		M	FERRITE BEAD		FB4441	1-414-228-11	FERRITE 0UH		
5346		M	FERRITE BEAD		FB4443	1-414-228-11	FERRITE 0UH		
5347		M	FERRITE BEAD		FB4445	1-414-228-11	FERRITE 0UH		
5348		M	FERRITE BEAD		FB4446	1-414-228-11	FERRITE 0UH		
5349		M	FERRITE BEAD		FB4447	1-414-228-11	FERRITE 0UH		
5350		M	FERRITE BEAD		FB4448	1-414-228-11	FERRITE 0UH		
5351		M	FERRITE BEAD		FB4449	1-414-228-11	FERRITE 0UH		
5352		M	FERRITE BEAD		FB4450	1-414-228-11	FERRITE 0UH		
5353		M	FERRITE BEAD		FB4451	1-414-228-11	FERRITE 0UH		
5354		M	FERRITE BEAD		FB4453	1-414-228-11	FERRITE 0UH		
5355		M	FERRITE BEAD		FB4456	1-414-228-11	FERRITE 0UH		
5356		M	FERRITE BEAD		FB4457	1-414-228-11	FERRITE 0UH		
5357		M	FERRITE BEAD		FB4458	1-414-228-11	FERRITE 0UH		
5358		M	FERRITE BEAD		FB4460	1-414-228-11	FERRITE 0UH		
5359		M	FERRITE BEAD		FB4461	1-414-228-11	FERRITE 0UH		
5360		M	FERRITE BEAD		FB4462	1-414-228-11	FERRITE 0UH		
5361		M	FERRITE BEAD		FB4463	1-414-228-11	FERRITE 0UH		
5362		M	FERRITE BEAD		FB4464	1-414-228-11	FERRITE 0UH		
5363		M	FERRITE BEAD		FB4501	1-469-324-21	FERRITE 0UH		
5364		M	FILTER		FL4001	1-400-087-21	FILTER, EMI REMOVAL (SMD)		
5365		M	FILTER		FL4200	1-234-177-21	FERRITE 0UH		
5366		M	FILTER		FL4201	1-234-177-21	FERRITE 0UH		
5367		M	FILTER		FL4301	1-400-087-21	FILTER, EMI REMOVAL (SMD)		
5368		M	IC		IC4000	6-701-870-01	IC THC63LVDF84B-T		
5369		M	IC		IC4001	6-702-982-01	IC TC7SA00FU(TE85R)		
5370		M	IC		IC4002	8-759-712-65	IC PQ070XZ01ZP		
5371		M	IC		IC4003	8-759-712-65	IC PQ070XZ01ZP		
5372		M	IC		IC4004	6-703-365-01	IC PST9220NL		
5373		M	IC		IC4005	6-702-684-01	IC PST9225NL		
5374		M	IC		IC4006	6-702-973-01	IC CXD9690Q		
5375		M	IC		IC4007	8-759-712-65	IC PQ070XZ01ZP		
5376		M	IC		IC4100	6-703-364-01	IC TFP510PAP		
5377		M	IC		IC4200	8-759-641-26	IC NJM2391DL1-33(TE1)		
5378		M	IC		IC4201	8-759-100-96	IC UPC4558G2		
5379		M	IC		IC4202	8-759-579-68	IC AK4524		
5380		M	IC		IC4203	6-702-979-01	IC AK4114VQ-L		
5381		M	IC		IC4204	6-704-208-01	IC S-80845CNUA-B86T2G		
5382		M	IC		IC4300	8-759-688-12	IC TC74VHCT125AFT(EL)		
5383		M	IC		IC4301	6-700-150-01	IC M24C04-WMN6T(A)		
5384		M	IC		IC4302	8-759-675-46	IC SN65LVDS1050PWR		
5385		M	IC		IC4303	6-700-596-01	IC TC74LVX4053FT(EL)		
5386		M	IC		IC4304	6-700-596-01	IC TC74LVX4053FT(EL)		
5387		M	IC		IC4305	8-759-598-39	IC TC75W58FK(TE85R)		
5388		M	IC		IC4306	8-759-570-08	IC TC7SET32FU(TE85R)		
5389		M	IC		IC4307	8-759-058-54	IC TC7S00FU(TE85R)		
5390		M	IC		IC4400	6-702-983-01	IC TC74LCX273FT(EL)		
5391		M	IC		IC4401	8-759-683-99	IC BA8274F-E2		
5392		M	IC		IC4402	6-700-596-01	IC TC74LVX4053FT(EL)		
5393		M	IC		IC4404	8-759-592-43	IC TC7SZ02FU(TE85R)		
5394		M	IC		IC4405	8-759-475-39	IC TC74LCX74FT(EL)		
5395		M	IC		IC4406	8-759-596-29	IC SN74LV4066APWR		
5396		M	IC		IC4407	6-801-402-01	IC BD4729GTR		
5397		M	IC		IC4408	6-704-067-01	IC M24128-BWMN6T(A)		
5398		M	IC		IC4409	8-759-641-26	IC NJM2391DL1-33(TE1)		
5399		M	IC		IC4410	6-803-993-01	IC M306V7FHFP-112		
5400		M	IC		IC4411	6-703-224-01	IC S-80828CNNB-B8NT2G		
5401		M	IC		IC4601	8-759-082-61	IC TC4W53FU		
5402		M	COIL		L4000	1-412-029-11	INDUCTOR 10UH		

No.	#	Board	Type	△/*	Ref. No.	Part No.	Description	Remarks-1	Remarks-2
5403		M	COIL		L4001	1-412-029-11	INDUCTOR 10UH		
5404		M	COIL		L4002	1-412-029-11	INDUCTOR 10UH		
5405		M	COIL		L4003	1-412-030-11	INDUCTOR 22UH		
5406		M	COIL		L4004	1-412-030-11	INDUCTOR 22UH		
5407		M	COIL		L4005	1-412-029-11	INDUCTOR 10UH		
5408		M	COIL		L4006	1-412-029-11	INDUCTOR 10UH		
5409		M	COIL		L4007	1-412-029-11	INDUCTOR 10UH		
5410		M	COIL		L4008	1-412-029-11	INDUCTOR 10UH		
5411		M	COIL		L4009	1-412-029-11	INDUCTOR 10UH		
5412		M	COIL		L4010	1-412-029-11	INDUCTOR 10UH		
5413		M	COIL		L4011	1-412-029-11	INDUCTOR 10UH		
5414		M	COIL		L4012	1-412-029-11	INDUCTOR 10UH		
5415		M	COIL		L4200	1-412-029-11	INDUCTOR 10UH		
5416		M	COIL		L4201	1-412-029-11	INDUCTOR 10UH		
5417		M	COIL		L4202	1-412-029-11	INDUCTOR 10UH		
5418		M	COIL		L4300	1-419-370-21	INDUCTOR 0UH		
5419		M	COIL		L4301	1-419-370-21	INDUCTOR 0UH		
5420		M	COIL		L4302	1-419-370-21	INDUCTOR 0UH		
5421		M	COIL		L4303	1-419-370-21	INDUCTOR 0UH		
5422		M	COIL		L4400	1-412-026-11	INDUCTOR 1UH		
5423		M	COIL		L4401	1-412-029-11	INDUCTOR 10UH		
5424		M	COIL		L4402	1-412-029-11	INDUCTOR 10UH		
5425		M	COIL		L4501	1-416-510-21	INDUCTOR 100UH		
5426		M	TRANSISTOR		Q4000	8-729-028-28	TRANSISTOR 2SK2036(TE85L)		
5427		M	TRANSISTOR		Q4001	8-729-028-28	TRANSISTOR 2SK2036(TE85L)		
5428		M	TRANSISTOR		Q4100	6-550-014-01	TRANSISTOR SSM6N15FU(TE85R)		
5429		M	TRANSISTOR		Q4101	6-550-014-01	TRANSISTOR SSM6N15FU(TE85R)		
5430		M	TRANSISTOR		Q4102	8-729-928-90	TRANSISTOR DTC114EE		
5431		M	TRANSISTOR		Q4103	8-729-928-90	TRANSISTOR DTC114EE		
5432		M	TRANSISTOR		Q4104	8-729-928-90	TRANSISTOR DTC114EE		
5433		M	TRANSISTOR		Q4105	6-550-014-01	TRANSISTOR SSM6N15FU(TE85R)		
5434		M	TRANSISTOR		Q4300	8-729-027-43	TRANSISTOR DTC114EKA-T146		
5435		M	TRANSISTOR		Q4301	8-729-027-43	TRANSISTOR DTC114EKA-T146		
5436		M	TRANSISTOR		Q4303	8-729-027-43	TRANSISTOR DTC114EKA-T146		
5437		M	TRANSISTOR		Q4400	8-729-422-27	TRANSISTOR 2SD601A-Q		
5438		M	TRANSISTOR		Q4402	8-729-422-27	TRANSISTOR 2SD601A-Q		
5439		M	TRANSISTOR		Q4404	8-729-422-27	TRANSISTOR 2SD601A-Q		
5440		M	TRANSISTOR		Q4405	8-729-422-27	TRANSISTOR 2SD601A-Q		
5441		M	TRANSISTOR		Q4406	8-729-422-27	TRANSISTOR 2SD601A-Q		
5442		M	TRANSISTOR		Q4407	8-729-424-02	TRANSISTOR 2SB709A-QRS-TX		
5443		M	TRANSISTOR		Q4408	8-729-422-27	TRANSISTOR 2SD601A-Q		
5444		M	TRANSISTOR		Q4409	8-729-424-02	TRANSISTOR 2SB709A-QRS-TX		
5445		M	TRANSISTOR		Q4411	8-729-422-27	TRANSISTOR 2SD601A-Q		
5446		M	TRANSISTOR		Q4413	8-729-901-47	TRANSISTOR DTA143EK		
5447		M	TRANSISTOR		Q4414	8-729-422-27	TRANSISTOR 2SD601A-Q		
5448		M	TRANSISTOR		Q4415	8-729-422-27	TRANSISTOR 2SD601A-Q		
5449		M	TRANSISTOR		Q4417	8-729-422-27	TRANSISTOR 2SD601A-Q		
5450		M	TRANSISTOR		Q4419	8-729-422-27	TRANSISTOR 2SD601A-Q		
5451		M	TRANSISTOR		Q4420	8-729-424-02	TRANSISTOR 2SB709A-QRS-TX		
5452		M	TRANSISTOR		Q4421	8-729-422-27	TRANSISTOR 2SD601A-Q		
5453		M	TRANSISTOR		Q4424	8-729-422-27	TRANSISTOR 2SD601A-Q		
5454		M	TRANSISTOR		Q4425	8-729-422-27	TRANSISTOR 2SD601A-Q		
5455		M	TRANSISTOR		Q4426	8-729-027-23	TRANSISTOR DTA114EKA-T146		
5456		M	TRANSISTOR		Q4427	8-729-422-27	TRANSISTOR 2SD601A-Q		
5457		M	TRANSISTOR		Q4428	8-729-422-27	TRANSISTOR 2SD601A-Q		
5458		M	TRANSISTOR		Q4429	8-729-424-02	TRANSISTOR 2SB709A-QRS-TX		
5459		M	TRANSISTOR		Q4501	8-729-422-29	TRANSISTOR 2SD601A-S		
5460		M	TRANSISTOR		Q4502	8-729-422-29	TRANSISTOR 2SD601A-S		
5461		M	RESISTOR		R4000	1-216-809-11	METAL CHIP 100 5% 1/10W		
5462		M	RESISTOR		R4001	1-216-809-11	METAL CHIP 100 5% 1/10W		
5463		M	RESISTOR		R4002	1-216-809-11	METAL CHIP 100 5% 1/10W		
5464		M	RESISTOR		R4003	1-216-809-11	METAL CHIP 100 5% 1/10W		
5465		M	RESISTOR		R4004	1-216-809-11	METAL CHIP 100 5% 1/10W		
5466		M	RESISTOR		R4005	1-216-833-11	METAL CHIP 10K 5% 1/10W		
5467		M	RESISTOR		R4007	1-216-864-11	SHORT CHIP 0		
5468		M	RESISTOR		R4008	1-216-864-11	SHORT CHIP 0		
5469		M	RESISTOR		R4009	1-216-833-11	METAL CHIP 10K 5% 1/10W		
5470		M	RESISTOR		R4010	1-216-833-11	METAL CHIP 10K 5% 1/10W		
5471		M	RESISTOR		R4011	1-216-821-11	METAL CHIP 1K 5% 1/10W		
5472		M	RESISTOR		R4012	1-216-825-11	METAL CHIP 2.2K 5% 1/10W		
5473		M	RESISTOR		R4013	1-216-821-11	METAL CHIP 1K 5% 1/10W		
5474		M	RESISTOR		R4014	1-216-821-11	METAL CHIP 1K 5% 1/10W		
5475		M	RESISTOR		R4016	1-218-867-11	METAL CHIP 6.8K 0.5% 1/10W		

No.	#	Board	Type	Δ/\ast	Ref. No.	Part No.	Description	Remarks-1	Remarks-2
5476		M	RESISTOR		R4019	1-216-809-11	METAL CHIP 100 5% 1/10W		
5477		M	RESISTOR		R4020	1-216-809-11	METAL CHIP 100 5% 1/10W		
5478		M	RESISTOR		R4021	1-216-805-11	METAL CHIP 47 5% 1/10W		
5479		M	RESISTOR		R4022	1-216-801-11	METAL CHIP 22 5% 1/10W		
5480		M	RESISTOR		R4023	1-216-801-11	METAL CHIP 22 5% 1/10W		
5481		M	RESISTOR		R4024	1-216-821-11	METAL CHIP 1K 5% 1/10W		
5482		M	RESISTOR		R4025	1-216-821-11	METAL CHIP 1K 5% 1/10W		
5483		M	RESISTOR		R4028	1-216-829-11	METAL CHIP 4.7K 5% 1/10W		
5484		M	RESISTOR		R4029	1-216-864-11	SHORT CHIP 0		
5485		M	RESISTOR		R4030	1-216-864-11	SHORT CHIP 0		
5486		M	RESISTOR		R4031	1-216-864-11	SHORT CHIP 0		
5487		M	RESISTOR		R4032	1-216-864-11	SHORT CHIP 0		
5488		M	RESISTOR		R4033	1-216-864-11	SHORT CHIP 0		
5489		M	RESISTOR		R4034	1-216-864-11	SHORT CHIP 0		
5490		M	RESISTOR		R4035	1-216-864-11	SHORT CHIP 0		
5491		M	RESISTOR		R4036	1-216-864-11	SHORT CHIP 0		
5492		M	RESISTOR		R4037	1-216-864-11	SHORT CHIP 0		
5493		M	RESISTOR		R4038	1-216-864-11	SHORT CHIP 0		
5494		M	RESISTOR		R4039	1-216-864-11	SHORT CHIP 0		
5495		M	RESISTOR		R4040	1-216-864-11	SHORT CHIP 0		
5496		M	RESISTOR		R4041	1-216-833-11	METAL CHIP 10K 5% 1/10W		
5497		M	RESISTOR		R4042	1-216-864-11	SHORT CHIP 0		
5498		M	RESISTOR		R4043	1-216-864-11	SHORT CHIP 0		
5499		M	RESISTOR		R4044	1-216-801-11	METAL CHIP 22 5% 1/10W		
5500		M	RESISTOR		R4045	1-216-821-11	METAL CHIP 1K 5% 1/10W		
5501		M	RESISTOR		R4047	1-216-864-11	SHORT CHIP 0		
5502		M	RESISTOR		R4048	1-216-809-11	METAL CHIP 100 5% 1/10W		
5503		M	RESISTOR		R4049	1-216-809-11	METAL CHIP 100 5% 1/10W		
5504		M	RESISTOR		R4050	1-216-805-11	METAL CHIP 47 5% 1/10W		
5505		M	RESISTOR		R4051	1-216-805-11	METAL CHIP 47 5% 1/10W		
5506		M	RESISTOR		R4052	1-216-805-11	METAL CHIP 47 5% 1/10W		
5507		M	RESISTOR		R4053	1-216-805-11	METAL CHIP 47 5% 1/10W		
5508		M	RESISTOR		R4054	1-216-805-11	METAL CHIP 47 5% 1/10W		
5509		M	RESISTOR		R4055	1-216-805-11	METAL CHIP 47 5% 1/10W		
5510		M	RESISTOR		R4056	1-216-805-11	METAL CHIP 47 5% 1/10W		
5511		M	RESISTOR		R4057	1-216-805-11	METAL CHIP 47 5% 1/10W		
5512		M	RESISTOR		R4058	1-216-809-11	METAL CHIP 100 5% 1/10W		
5513		M	RESISTOR		R4060	1-216-825-11	METAL CHIP 2.2K 5% 1/10W		
5514		M	RESISTOR		R4061	1-216-821-11	METAL CHIP 1K 5% 1/10W		
5515		M	RESISTOR		R4062	1-218-867-11	METAL CHIP 6.8K 0.5% 1/10W		
5516		M	RESISTOR		R4064	1-216-821-11	METAL CHIP 1K 5% 1/10W		
5517		M	RESISTOR		R4100	1-216-829-11	METAL CHIP 4.7K 5% 1/10W		
5518		M	RESISTOR		R4101	1-216-829-11	METAL CHIP 4.7K 5% 1/10W		
5519		M	RESISTOR		R4102	1-218-840-11	METAL CHIP 510 0.5% 1/10W		
5520		M	RESISTOR		R4103	1-216-829-11	METAL CHIP 4.7K 5% 1/10W		
5521		M	RESISTOR		R4104	1-216-829-11	METAL CHIP 4.7K 5% 1/10W		
5522		M	RESISTOR		R4105	1-216-829-11	METAL CHIP 4.7K 5% 1/10W		
5523		M	RESISTOR		R4106	1-216-821-11	METAL CHIP 1K 5% 1/10W		
5524		M	RESISTOR		R4107	1-218-272-11	METAL CHIP 5.1K 5% 1/10W		
5525		M	RESISTOR		R4109	1-216-833-11	METAL CHIP 10K 5% 1/10W		
5526		M	RESISTOR		R4110	1-216-845-11	METAL CHIP 100K 5% 1/10W		
5527		M	RESISTOR		R4111	1-216-821-11	METAL CHIP 1K 5% 1/10W		
5528		M	RESISTOR		R4112	1-216-864-11	SHORT CHIP 0		
5529		M	RESISTOR		R4113	1-216-845-11	METAL CHIP 100K 5% 1/10W		
5530		M	RESISTOR		R4114	1-216-033-00	RES-CHIP 220 5% 1/10W		
5531		M	RESISTOR		R4115	1-216-033-00	RES-CHIP 220 5% 1/10W		
5532		M	RESISTOR		R4116	1-216-864-11	SHORT CHIP 0		
5533		M	RESISTOR		R4117	1-216-864-11	SHORT CHIP 0		
5534		M	RESISTOR		R4118	1-216-864-11	SHORT CHIP 0		
5535		M	RESISTOR		R4200	1-216-809-11	METAL CHIP 100 5% 1/10W		
5536		M	RESISTOR		R4201	1-216-809-11	METAL CHIP 100 5% 1/10W		
5537		M	RESISTOR		R4202	1-216-829-11	METAL CHIP 4.7K 5% 1/10W		
5538		M	RESISTOR		R4203	1-216-828-11	METAL CHIP 3.9K 5% 1/10W		
5539		M	RESISTOR		R4204	1-216-834-11	METAL CHIP 12K 5% 1/10W		
5540		M	RESISTOR		R4205	1-216-834-11	METAL CHIP 12K 5% 1/10W		
5541		M	RESISTOR		R4206	1-216-833-11	METAL CHIP 10K 5% 1/10W		
5542		M	RESISTOR		R4207	1-216-834-11	METAL CHIP 12K 5% 1/10W		
5543		M	RESISTOR		R4208	1-216-833-11	METAL CHIP 10K 5% 1/10W		
5544		M	RESISTOR		R4209	1-216-834-11	METAL CHIP 12K 5% 1/10W		
5545		M	RESISTOR		R4210	1-216-833-11	METAL CHIP 10K 5% 1/10W		
5546		M	RESISTOR		R4211	1-216-809-11	METAL CHIP 100 5% 1/10W		
5547		M	RESISTOR		R4212	1-216-809-11	METAL CHIP 100 5% 1/10W		
5548		M	RESISTOR		R4213	1-216-833-11	METAL CHIP 10K 5% 1/10W		

No.	#	Board	Type	Δ /*	Ref. No.	Part No.	Description	Remarks-1	Remarks-2
5549		M	RESISTOR		R4214	1-216-809-11	METAL CHIP 100 5% 1/10W		
5550		M	RESISTOR		R4215	1-216-809-11	METAL CHIP 100 5% 1/10W		
5551		M	RESISTOR		R4216	1-216-793-11	METAL CHIP 4.7 5% 1/10W		
5552		M	RESISTOR		R4217	1-216-809-11	METAL CHIP 100 5% 1/10W		
5553		M	RESISTOR		R4218	1-216-801-11	METAL CHIP 22 5% 1/10W		
5554		M	RESISTOR		R4219	1-216-809-11	METAL CHIP 100 5% 1/10W		
5555		M	RESISTOR		R4220	1-216-797-11	METAL CHIP 10 5% 1/10W		
5556		M	RESISTOR		R4222	1-216-797-11	METAL CHIP 10 5% 1/10W		
5557		M	RESISTOR		R4223	1-216-809-11	METAL CHIP 100 5% 1/10W		
5558		M	RESISTOR		R4224	1-216-797-11	METAL CHIP 10 5% 1/10W		
5559		M	RESISTOR		R4225	1-216-797-11	METAL CHIP 10 5% 1/10W		
5560		M	RESISTOR		R4226	1-216-821-11	METAL CHIP 1K 5% 1/10W		
5561		M	RESISTOR		R4227	1-216-864-11	SHORT CHIP 0		
5562		M	RESISTOR		R4229	1-216-797-11	METAL CHIP 10 5% 1/10W		
5563		M	RESISTOR		R4230	1-216-821-11	METAL CHIP 1K 5% 1/10W		
5564		M	RESISTOR		R4231	1-216-797-11	METAL CHIP 10 5% 1/10W		
5565		M	RESISTOR		R4232	1-216-821-11	METAL CHIP 1K 5% 1/10W		
5566		M	RESISTOR		R4234	1-216-797-11	METAL CHIP 10 5% 1/10W		
5567		M	RESISTOR		R4235	1-216-864-11	SHORT CHIP 0		
5568		M	RESISTOR		R4237	1-216-864-11	SHORT CHIP 0		
5569		M	RESISTOR		R4238	1-216-821-11	METAL CHIP 1K 5% 1/10W		
5570		M	RESISTOR		R4239	1-216-845-11	METAL CHIP 100K 5% 1/10W		
5571		M	RESISTOR		R4240	1-216-809-11	METAL CHIP 100 5% 1/10W		
5572		M	RESISTOR		R4241	1-216-836-11	METAL CHIP 18K 5% 1/10W		
5573		M	RESISTOR		R4242	1-216-809-11	METAL CHIP 100 5% 1/10W		
5574		M	RESISTOR		R4243	1-216-809-11	METAL CHIP 100 5% 1/10W		
5575		M	RESISTOR		R4244	1-216-809-11	METAL CHIP 100 5% 1/10W		
5576		M	RESISTOR		R4300	1-216-864-11	SHORT CHIP 0		
5577		M	RESISTOR		R4301	1-216-864-11	SHORT CHIP 0		
5578		M	RESISTOR		R4302	1-216-864-11	SHORT CHIP 0		
5579		M	RESISTOR		R4304	1-216-864-11	SHORT CHIP 0		
5580		M	RESISTOR		R4305	1-216-864-11	SHORT CHIP 0		
5581		M	RESISTOR		R4306	1-216-857-11	METAL CHIP 1M 5% 1/10W		
5582		M	RESISTOR		R4308	1-216-845-11	METAL CHIP 100K 5% 1/10W		
5583		M	RESISTOR		R4311	1-216-845-11	METAL CHIP 100K 5% 1/10W		
5584		M	RESISTOR		R4321	1-216-833-11	METAL CHIP 10K 5% 1/10W		
5585		M	RESISTOR		R4322	1-216-864-11	SHORT CHIP 0		
5586		M	RESISTOR		R4323	1-216-864-11	SHORT CHIP 0		
5587		M	RESISTOR		R4324	1-216-821-11	METAL CHIP 1K 5% 1/10W		
5588		M	RESISTOR		R4325	1-216-833-11	METAL CHIP 10K 5% 1/10W		
5589		M	RESISTOR		R4326	1-216-833-11	METAL CHIP 10K 5% 1/10W		
5590		M	RESISTOR		R4327	1-216-833-11	METAL CHIP 10K 5% 1/10W		
5591		M	RESISTOR		R4329	1-216-833-11	METAL CHIP 10K 5% 1/10W		
5592		M	RESISTOR		R4330	1-216-809-11	METAL CHIP 100 5% 1/10W		
5593		M	RESISTOR		R4331	1-216-801-11	METAL CHIP 22 5% 1/10W		
5594		M	RESISTOR		R4332	1-216-801-11	METAL CHIP 22 5% 1/10W		
5595		M	RESISTOR		R4333	1-216-809-11	METAL CHIP 100 5% 1/10W		
5596		M	RESISTOR		R4334	1-216-833-11	METAL CHIP 10K 5% 1/10W		
5597		M	RESISTOR		R4336	1-216-821-11	METAL CHIP 1K 5% 1/10W		
5598		M	RESISTOR		R4337	1-216-833-11	METAL CHIP 10K 5% 1/10W		
5599		M	RESISTOR		R4339	1-216-829-11	METAL CHIP 4.7K 5% 1/10W		
5600		M	RESISTOR		R4340	1-216-801-11	METAL CHIP 22 5% 1/10W		
5601		M	RESISTOR		R4341	1-216-833-11	METAL CHIP 10K 5% 1/10W		
5602		M	RESISTOR		R4342	1-216-821-11	METAL CHIP 1K 5% 1/10W		
5603		M	RESISTOR		R4343	1-216-801-11	METAL CHIP 22 5% 1/10W		
5604		M	RESISTOR		R4344	1-216-833-11	METAL CHIP 10K 5% 1/10W		
5605		M	RESISTOR		R4345	1-216-821-11	METAL CHIP 1K 5% 1/10W		
5606		M	RESISTOR		R4346	1-216-829-11	METAL CHIP 4.7K 5% 1/10W		
5607		M	RESISTOR		R4347	1-216-853-11	METAL CHIP 470K 5% 1/10W		
5608		M	RESISTOR		R4348	1-216-847-11	METAL CHIP 150K 5% 1/10W		
5609		M	RESISTOR		R4349	1-216-821-11	METAL CHIP 1K 5% 1/10W		
5610		M	RESISTOR		R4350	1-216-821-11	METAL CHIP 1K 5% 1/10W		
5611		M	RESISTOR		R4351	1-216-853-11	METAL CHIP 470K 5% 1/10W		
5612		M	RESISTOR		R4352	1-216-847-11	METAL CHIP 150K 5% 1/10W		
5613		M	RESISTOR		R4354	1-216-821-11	METAL CHIP 1K 5% 1/10W		
5614		M	RESISTOR		R4358	1-216-809-11	METAL CHIP 100 5% 1/10W		
5615		M	RESISTOR		R4359	1-216-821-11	METAL CHIP 1K 5% 1/10W		
5616		M	RESISTOR		R4360	1-216-801-11	METAL CHIP 22 5% 1/10W		
5617		M	RESISTOR		R4361	1-216-801-11	METAL CHIP 22 5% 1/10W		
5618		M	RESISTOR		R4363	1-216-821-11	METAL CHIP 1K 5% 1/10W		
5619		M	RESISTOR		R4364	1-216-821-11	METAL CHIP 1K 5% 1/10W		
5620		M	RESISTOR		R4365	1-216-845-11	METAL CHIP 100K 5% 1/10W		
5621		M	RESISTOR		R4368	1-216-821-11	METAL CHIP 1K 5% 1/10W		

No.	#	Board	Type	Δ/\ast	Ref. No.	Part No.	Description	Remarks-1	Remarks-2
5622		M	RESISTOR		R4370	1-216-821-11	METAL CHIP 1K 5% 1/10W		
5623		M	RESISTOR		R4400	1-216-801-11	METAL CHIP 22 5% 1/10W		
5624		M	RESISTOR		R4401	1-216-801-11	METAL CHIP 22 5% 1/10W		
5625		M	RESISTOR		R4402	1-216-801-11	METAL CHIP 22 5% 1/10W		
5626		M	RESISTOR		R4403	1-216-801-11	METAL CHIP 22 5% 1/10W		
5627		M	RESISTOR		R4407	1-216-821-11	METAL CHIP 1K 5% 1/10W		
5628		M	RESISTOR		R4408	1-216-821-11	METAL CHIP 1K 5% 1/10W		
5629		M	RESISTOR		R4409	1-216-841-11	METAL CHIP 47K 5% 1/10W		
5630		M	RESISTOR		R4411	1-216-801-11	METAL CHIP 22 5% 1/10W		
5631		M	RESISTOR		R4412	1-216-801-11	METAL CHIP 22 5% 1/10W		
5632		M	RESISTOR		R4413	1-216-801-11	METAL CHIP 22 5% 1/10W		
5633		M	RESISTOR		R4414	1-216-801-11	METAL CHIP 22 5% 1/10W		
5634		M	RESISTOR		R4415	1-216-801-11	METAL CHIP 22 5% 1/10W		
5635		M	RESISTOR		R4417	1-216-801-11	METAL CHIP 22 5% 1/10W		
5636		M	RESISTOR		R4418	1-216-801-11	METAL CHIP 22 5% 1/10W		
5637		M	RESISTOR		R4419	1-216-801-11	METAL CHIP 22 5% 1/10W		
5638		M	RESISTOR		R4421	1-216-833-11	METAL CHIP 10K 5% 1/10W		
5639		M	RESISTOR		R4426	1-216-839-11	METAL CHIP 33K 5% 1/10W		
5640		M	RESISTOR		R4427	1-216-864-11	SHORT CHIP 0		
5641		M	RESISTOR		R4430	1-216-864-11	SHORT CHIP 0		
5642		M	RESISTOR		R4431	1-216-823-11	METAL CHIP 1.5K 5% 1/10W		
5643		M	RESISTOR		R4434	1-216-809-11	METAL CHIP 100 5% 1/10W		
5644		M	RESISTOR		R4435	1-216-841-11	METAL CHIP 47K 5% 1/10W		
5645		M	RESISTOR		R4436	1-216-864-11	SHORT CHIP 0		
5646		M	RESISTOR		R4437	1-216-823-11	METAL CHIP 1.5K 5% 1/10W		
5647		M	RESISTOR		R4439	1-216-841-11	METAL CHIP 47K 5% 1/10W		
5648		M	RESISTOR		R4440	1-216-833-11	METAL CHIP 10K 5% 1/10W		
5649		M	RESISTOR		R4441	1-216-825-11	METAL CHIP 2.2K 5% 1/10W		
5650		M	RESISTOR		R4442	1-216-825-11	METAL CHIP 2.2K 5% 1/10W		
5651		M	RESISTOR		R4443	1-216-845-11	METAL CHIP 100K 5% 1/10W		
5652		M	RESISTOR		R4444	1-216-801-11	METAL CHIP 22 5% 1/10W		
5653		M	RESISTOR		R4445	1-216-845-11	METAL CHIP 100K 5% 1/10W		
5654		M	RESISTOR		R4446	1-216-817-11	METAL CHIP 470 5% 1/10W		
5655		M	RESISTOR		R4447	1-216-809-11	METAL CHIP 100 5% 1/10W		
5656		M	RESISTOR		R4448	1-216-833-11	METAL CHIP 10K 5% 1/10W		
5657		M	RESISTOR		R4449	1-216-805-11	METAL CHIP 47 5% 1/10W		
5658		M	RESISTOR		R4450	1-216-805-11	METAL CHIP 47 5% 1/10W		
5659		M	RESISTOR		R4452	1-216-809-11	METAL CHIP 100 5% 1/10W		
5660		M	RESISTOR		R4453	1-216-809-11	METAL CHIP 100 5% 1/10W		
5661		M	RESISTOR		R4454	1-216-801-11	METAL CHIP 22 5% 1/10W		
5662		M	RESISTOR		R4455	1-216-805-11	METAL CHIP 47 5% 1/10W		
5663		M	RESISTOR		R4456	1-216-805-11	METAL CHIP 47 5% 1/10W		
5664		M	RESISTOR		R4457	1-216-805-11	METAL CHIP 47 5% 1/10W		
5665		M	RESISTOR		R4458	1-216-805-11	METAL CHIP 47 5% 1/10W		
5666		M	RESISTOR		R4459	1-216-805-11	METAL CHIP 47 5% 1/10W		
5667		M	RESISTOR		R4460	1-216-809-11	METAL CHIP 100 5% 1/10W		
5668		M	RESISTOR		R4461	1-216-809-11	METAL CHIP 100 5% 1/10W		
5669		M	RESISTOR		R4462	1-216-841-11	METAL CHIP 47K 5% 1/10W		
5670		M	RESISTOR		R4464	1-216-833-11	METAL CHIP 10K 5% 1/10W		
5671		M	RESISTOR		R4465	1-216-813-11	METAL CHIP 220 5% 1/10W		
5672		M	RESISTOR		R4466	1-216-857-11	METAL CHIP 1M 5% 1/10W		
5673		M	RESISTOR		R4467	1-216-805-11	METAL CHIP 47 5% 1/10W		
5674		M	RESISTOR		R4468	1-216-805-11	METAL CHIP 47 5% 1/10W		
5675		M	RESISTOR		R4469	1-216-801-11	METAL CHIP 22 5% 1/10W		
5676		M	RESISTOR		R4470	1-216-801-11	METAL CHIP 22 5% 1/10W		
5677		M	RESISTOR		R4471	1-216-827-11	METAL CHIP 3.3K 5% 1/10W		
5678		M	RESISTOR		R4472	1-216-809-11	METAL CHIP 100 5% 1/10W		
5679		M	RESISTOR		R4473	1-216-809-11	METAL CHIP 100 5% 1/10W		
5680		M	RESISTOR		R4474	1-216-821-11	METAL CHIP 1K 5% 1/10W		
5681		M	RESISTOR		R4475	1-216-821-11	METAL CHIP 1K 5% 1/10W		
5682		M	RESISTOR		R4476	1-216-833-11	METAL CHIP 10K 5% 1/10W		
5683		M	RESISTOR		R4477	1-216-801-11	METAL CHIP 22 5% 1/10W		
5684		M	RESISTOR		R4478	1-216-833-11	METAL CHIP 10K 5% 1/10W		
5685		M	RESISTOR		R4479	1-216-841-11	METAL CHIP 47K 5% 1/10W		
5686		M	RESISTOR		R4482	1-216-833-11	METAL CHIP 10K 5% 1/10W		
5687		M	RESISTOR		R4483	1-216-805-11	METAL CHIP 47 5% 1/10W		
5688		M	RESISTOR		R4484	1-216-805-11	METAL CHIP 47 5% 1/10W		
5689		M	RESISTOR		R4485	1-216-805-11	METAL CHIP 47 5% 1/10W		
5690		M	RESISTOR		R4486	1-216-833-11	METAL CHIP 10K 5% 1/10W		
5691		M	RESISTOR		R4487	1-216-833-11	METAL CHIP 10K 5% 1/10W		
5692		M	RESISTOR		R4488	1-216-833-11	METAL CHIP 10K 5% 1/10W		
5693		M	RESISTOR		R4489	1-216-809-11	METAL CHIP 100 5% 1/10W		
5694		M	RESISTOR		R4490	1-216-809-11	METAL CHIP 100 5% 1/10W		

No.	#	Board	Type	△/*	Ref. No.	Part No.	Description	Remarks-1	Remarks-2
5695		M	RESISTOR		R4491	1-218-668-11	METAL CHIP 100 0.5% 1/10W		
5696		M	RESISTOR		R4492	1-216-809-11	METAL CHIP 100 5% 1/10W		
5697		M	RESISTOR		R4493	1-216-805-11	METAL CHIP 47 5% 1/10W		
5698		M	RESISTOR		R4494	1-216-821-11	METAL CHIP 1K 5% 1/10W		
5699		M	RESISTOR		R4495	1-216-821-11	METAL CHIP 1K 5% 1/10W		
5700		M	RESISTOR		R4497	1-216-821-11	METAL CHIP 1K 5% 1/10W		
5701		M	RESISTOR		R4498	1-216-821-11	METAL CHIP 1K 5% 1/10W		
5702		M	RESISTOR		R4499	1-216-805-11	METAL CHIP 47 5% 1/10W		
5703		M	RESISTOR		R4500	1-216-821-11	METAL CHIP 1K 5% 1/10W		
5704		M	RESISTOR		R4501	1-216-805-11	METAL CHIP 47 5% 1/10W		
5705		M	RESISTOR		R4502	1-216-821-11	METAL CHIP 1K 5% 1/10W		
5706		M	RESISTOR		R4503	1-216-805-11	METAL CHIP 47 5% 1/10W		
5707		M	RESISTOR		R4504	1-216-833-11	METAL CHIP 10K 5% 1/10W		
5708		M	RESISTOR		R4505	1-216-821-11	METAL CHIP 1K 5% 1/10W		
5709		M	RESISTOR		R4506	1-216-821-11	METAL CHIP 1K 5% 1/10W		
5710		M	RESISTOR		R4507	1-216-833-11	METAL CHIP 10K 5% 1/10W		
5711		M	RESISTOR		R4508	1-216-821-11	METAL CHIP 1K 5% 1/10W		
5712		M	RESISTOR		R4509	1-216-833-11	METAL CHIP 10K 5% 1/10W		
5713		M	RESISTOR		R4510	1-216-821-11	METAL CHIP 1K 5% 1/10W		
5714		M	RESISTOR		R4511	1-216-864-11	SHORT CHIP 0		
5715		M	RESISTOR		R4512	1-216-833-11	METAL CHIP 10K 5% 1/10W		
5716		M	RESISTOR		R4513	1-216-821-11	METAL CHIP 1K 5% 1/10W		
5717		M	RESISTOR		R4514	1-216-821-11	METAL CHIP 1K 5% 1/10W		
5718		M	RESISTOR		R4515	1-216-821-11	METAL CHIP 1K 5% 1/10W		
5719		M	RESISTOR		R4516	1-216-833-11	METAL CHIP 10K 5% 1/10W		
5720		M	RESISTOR		R4518	1-216-821-11	METAL CHIP 1K 5% 1/10W		
5721		M	RESISTOR		R4520	1-216-833-11	METAL CHIP 10K 5% 1/10W		
5722		M	RESISTOR		R4521	1-216-821-11	METAL CHIP 1K 5% 1/10W		
5723		M	RESISTOR		R4522	1-216-821-11	METAL CHIP 1K 5% 1/10W		
5724		M	RESISTOR		R4523	1-216-821-11	METAL CHIP 1K 5% 1/10W		
5725		M	RESISTOR		R4524	1-216-821-11	METAL CHIP 1K 5% 1/10W		
5726		M	RESISTOR		R4525	1-216-809-11	METAL CHIP 100 5% 1/10W		
5727		M	RESISTOR		R4526	1-216-839-11	METAL CHIP 33K 5% 1/10W		
5728		M	RESISTOR		R4527	1-216-821-11	METAL CHIP 1K 5% 1/10W		
5729		M	RESISTOR		R4529	1-216-821-11	METAL CHIP 1K 5% 1/10W		
5730		M	RESISTOR		R4530	1-216-821-11	METAL CHIP 1K 5% 1/10W		
5731		M	RESISTOR		R4531	1-216-833-11	METAL CHIP 10K 5% 1/10W		
5732		M	RESISTOR		R4532	1-216-809-11	METAL CHIP 100 5% 1/10W		
5733		M	RESISTOR		R4533	1-216-833-11	METAL CHIP 10K 5% 1/10W		
5734		M	RESISTOR		R4534	1-216-821-11	METAL CHIP 1K 5% 1/10W		
5735		M	RESISTOR		R4535	1-216-833-11	METAL CHIP 10K 5% 1/10W		
5736		M	RESISTOR		R4536	1-216-833-11	METAL CHIP 10K 5% 1/10W		
5737		M	RESISTOR		R4537	1-216-821-11	METAL CHIP 1K 5% 1/10W		
5738		M	RESISTOR		R4539	1-216-809-11	METAL CHIP 100 5% 1/10W		
5739		M	RESISTOR		R4540	1-216-809-11	METAL CHIP 100 5% 1/10W		
5740		M	RESISTOR		R4541	1-216-821-11	METAL CHIP 1K 5% 1/10W		
5741		M	RESISTOR		R4542	1-216-809-11	METAL CHIP 100 5% 1/10W		
5742		M	RESISTOR		R4544	1-216-837-11	METAL CHIP 22K 5% 1/10W		
5743		M	RESISTOR		R4545	1-216-801-11	METAL CHIP 22 5% 1/10W		
5744		M	RESISTOR		R4546	1-216-835-11	METAL CHIP 15K 5% 1/10W		
5745		M	RESISTOR		R4547	1-216-832-11	METAL CHIP 8.2K 5% 1/10W		
5746		M	RESISTOR		R4548	1-216-809-11	METAL CHIP 100 5% 1/10W		
5747		M	RESISTOR		R4549	1-216-833-11	METAL CHIP 10K 5% 1/10W		
5748		M	RESISTOR		R4550	1-216-833-11	METAL CHIP 10K 5% 1/10W		
5749		M	RESISTOR		R4551	1-216-837-11	METAL CHIP 22K 5% 1/10W		
5750		M	RESISTOR		R4552	1-216-837-11	METAL CHIP 22K 5% 1/10W		
5751		M	RESISTOR		R4553	1-216-837-11	METAL CHIP 22K 5% 1/10W		
5752		M	RESISTOR		R4554	1-216-833-11	METAL CHIP 10K 5% 1/10W		
5753		M	RESISTOR		R4555	1-216-841-11	METAL CHIP 47K 5% 1/10W		
5754		M	RESISTOR		R4559	1-216-845-11	METAL CHIP 100K 5% 1/10W		
5755		M	RESISTOR		R4560	1-216-817-11	METAL CHIP 470 5% 1/10W		
5756		M	RESISTOR		R4561	1-216-841-11	METAL CHIP 47K 5% 1/10W		
5757		M	RESISTOR		R4563	1-216-841-11	METAL CHIP 47K 5% 1/10W		
5758		M	RESISTOR		R4564	1-216-821-11	METAL CHIP 1K 5% 1/10W		
5759		M	RESISTOR		R4565	1-216-841-11	METAL CHIP 47K 5% 1/10W		
5760		M	RESISTOR		R4566	1-216-864-11	SHORT CHIP 0		
5761		M	RESISTOR		R4567	1-216-864-11	SHORT CHIP 0		
5762		M	RESISTOR		R4568	1-216-833-11	METAL CHIP 10K 5% 1/10W		
5763		M	RESISTOR		R4572	1-216-833-11	METAL CHIP 10K 5% 1/10W		
5764		M	RESISTOR		R4573	1-216-864-11	SHORT CHIP 0		
5765		M	RESISTOR		R4574	1-216-833-11	METAL CHIP 10K 5% 1/10W		
5766		M	RESISTOR		R4576	1-216-837-11	METAL CHIP 22K 5% 1/10W		
5767		M	RESISTOR		R4577	1-216-839-11	METAL CHIP 33K 5% 1/10W		

No.	#	Board	Type	△/*	Ref. No.	Part No.	Description	Remarks-1	Remarks-2
5768		M	RESISTOR		R4578	1-216-833-11	METAL CHIP 10K 5% 1/10W		
5769		M	RESISTOR		R4579	1-216-837-11	METAL CHIP 22K 5% 1/10W		
5770		M	RESISTOR		R4580	1-216-837-11	METAL CHIP 22K 5% 1/10W		
5771		M	RESISTOR		R4583	1-216-864-11	SHORT CHIP 0		
5772		M	RESISTOR		R4584	1-216-864-11	SHORT CHIP 0		
5773		M	RESISTOR		R4585	1-216-864-11	SHORT CHIP 0		
5774		M	RESISTOR		R4586	1-216-864-11	SHORT CHIP 0		
5775		M	RESISTOR		R4587	1-216-864-11	SHORT CHIP 0		
5776		M	RESISTOR		R4588	1-216-864-11	SHORT CHIP 0		
5777		M	RESISTOR		R4589	1-216-864-11	SHORT CHIP 0		
5778		M	RESISTOR		R4592	1-216-864-11	SHORT CHIP 0		
5779		M	RESISTOR		R4593	1-216-833-11	METAL CHIP 10K 5% 1/10W		
5780		M	RESISTOR		R4594	1-216-833-11	METAL CHIP 10K 5% 1/10W		
5781		M	RESISTOR		R4595	1-216-825-11	METAL CHIP 2.2K 5% 1/10W		
5782		M	RESISTOR		R4596	1-216-825-11	METAL CHIP 2.2K 5% 1/10W		
5783		M	RESISTOR		R4597	1-216-821-11	METAL CHIP 1K 5% 1/10W		
5784		M	RESISTOR		R4599	1-216-864-11	SHORT CHIP 0		
5785		M	RESISTOR		R4601	1-216-825-11	METAL CHIP 2.2K 5% 1/10W		
5786		M	RESISTOR		R4603	1-216-841-11	METAL CHIP 47K 5% 1/10W		
5787		M	RESISTOR		R4604	1-216-864-11	SHORT CHIP 0		
5788		M	RESISTOR		R4606	1-216-864-11	SHORT CHIP 0		
5789		M	RESISTOR		R4607	1-216-864-11	SHORT CHIP 0		
5790		M	RESISTOR		R4608	1-216-833-11	METAL CHIP 10K 5% 1/10W		
5791		M	RESISTOR		R4609	1-216-833-11	METAL CHIP 10K 5% 1/10W		
5792		M	RESISTOR		R4612	1-216-821-11	METAL CHIP 1K 5% 1/10W		
5793		M	RESISTOR		R4613	1-216-809-11	METAL CHIP 100 5% 1/10W		
5794		M	RESISTOR		R4614	1-216-864-11	SHORT CHIP 0		
5795		M	RESISTOR		R4615	1-216-864-11	SHORT CHIP 0		
5796		M	RESISTOR		R4616	1-218-863-11	METAL CHIP 4.7K 0.5% 1/10W		
5797		M	RESISTOR		R4617	1-218-863-11	METAL CHIP 4.7K 0.5% 1/10W		
5798		M	RESISTOR		R4619	1-216-864-11	SHORT CHIP 0		
5799		M	RESISTOR		R4620	1-216-864-11	SHORT CHIP 0		
5800		M	RESISTOR		R4623	1-216-864-11	SHORT CHIP 0		
5801		M	RESISTOR		R4631	1-216-841-11	METAL CHIP 47K 5% 1/10W		
5802		M	RESISTOR		R4632	1-216-841-11	METAL CHIP 47K 5% 1/10W		
5803		M	RESISTOR		R4633	1-216-841-11	METAL CHIP 47K 5% 1/10W		
5804		M	RESISTOR		R4635	1-216-837-11	METAL CHIP 22K 5% 1/10W		
5805		M	NETWORK		RB4000	1-234-370-21	RES, NETWORK 22X4 (1005)		
5806		M	NETWORK		RB4001	1-234-370-21	RES, NETWORK 22X4 (1005)		
5807		M	NETWORK		RB4002	1-234-370-21	RES, NETWORK 22X4 (1005)		
5808		M	NETWORK		RB4003	1-234-370-21	RES, NETWORK 22X4 (1005)		
5809		M	NETWORK		RB4004	1-234-370-21	RES, NETWORK 22X4 (1005)		
5810		M	NETWORK		RB4005	1-233-796-11	RES, NETWORK (1608)		
5811		M	NETWORK		RB4006	1-239-711-91	NETWORK RESISTOR (CHIP) 0		
5812		M	NETWORK		RB4007	1-239-711-91	NETWORK RESISTOR (CHIP) 0		
5813		M	NETWORK		RB4008	1-233-796-11	RES, NETWORK (1608)		
5814		M	NETWORK		RB4009	1-234-371-21	RES, NETWORK 47X4 (1005)		
5815		M	NETWORK		RB4010	1-234-371-21	RES, NETWORK 47X4 (1005)		
5816		M	NETWORK		RB4011	1-234-371-21	RES, NETWORK 47X4 (1005)		
5817		M	NETWORK		RB4012	1-234-371-21	RES, NETWORK 47X4 (1005)		
5818		M	NETWORK		RB4013	1-234-371-21	RES, NETWORK 47X4 (1005)		
5819		M	NETWORK		RB4014	1-234-371-21	RES, NETWORK 47X4 (1005)		
5820		M	NETWORK		RB4015	1-234-371-21	RES, NETWORK 47X4 (1005)		
5821		M	VARISTOR		VD4100	1-805-043-11	ABSORBER, CHIP SURGE		
5822		M	VARISTOR		VD4101	1-805-043-11	ABSORBER, CHIP SURGE		
5823		M	VARISTOR		VD4102	1-805-043-11	ABSORBER, CHIP SURGE		
5824		M	VARISTOR		VD4103	1-805-043-11	ABSORBER, CHIP SURGE		
5825		M	VARISTOR		VD4104	1-805-043-11	ABSORBER, CHIP SURGE		
5826		M	VARISTOR		VD4105	1-805-043-11	ABSORBER, CHIP SURGE		
5827		M	VARISTOR		VD4106	1-805-043-11	ABSORBER, CHIP SURGE		
5828		M	VARISTOR		VD4107	1-805-043-11	ABSORBER, CHIP SURGE		
5829		M	VARISTOR		VD4108	1-805-043-11	ABSORBER, CHIP SURGE		
5830		M	VARISTOR		VD4109	1-805-043-11	ABSORBER, CHIP SURGE		
5831		M	CRYSTAL		X4000	1-795-739-22	CRYSTAL OSCILLATOR (SMD)		
5832		M	CRYSTAL		X4200	1-781-465-21	VIBRATOR, CRYSTAL		
5833		M	CRYSTAL		X4400	1-781-829-22	OSCILLATOR, CRYSTAL (SMD)		
5834		M	CRYSTAL		X4401	1-813-095-11	VIBRATOR, CRYSTAL		

